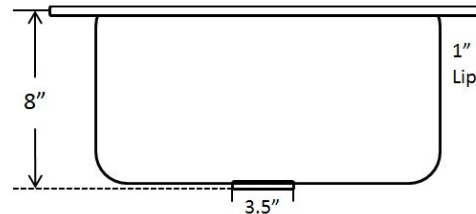
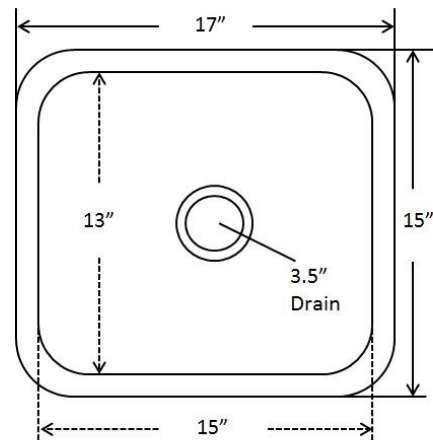


Item: KPA-1715C

- Rectangular handcrafted copper 14 gauge interior rose gold, exterior black nickel
- Easy to clean and maintain
- Sound dampening panels and coating to reduce noise
- Rigorously tested to ensure no puddling or leaking
- Coordinating drain available
- Limited Lifetime Warranty

Dimensions:  
Outer 17" x 15", 8" depth  
Inner 15" x 13", 8" depth



For more information scan our QR code.  
• iPhone open camera and hover over code click on pop-up and it will redirect you  
• Android download QR app Lighting QR and follow instructions



True to the spirit of our ancestry we bring the allure of copper, home.  
With all of our heart.