

# LUNA SEMI-RECESSED BASIN

Cat. No.  
4-850



W: 17-<sup>1</sup>/<sub>8</sub>"  
 D: 17-<sup>1</sup>/<sub>8</sub>"  
 H: 7-<sup>5</sup>/<sub>8</sub>"  
 Above Counter Height: 3-<sup>3</sup>/<sub>8</sub>"  
 Flange: 3" x 1-<sup>5</sup>/<sub>8</sub>" deep



Rear View



Side View

## Interior Dimensions:

Basin Interior: 16" x 16"  
 Basin Depth: 6"  
 Recessed Area: 11-<sup>1</sup>/<sub>8</sub>" diameter  
 Back of basin to center of drain: 8-<sup>3</sup>/<sub>8</sub>"

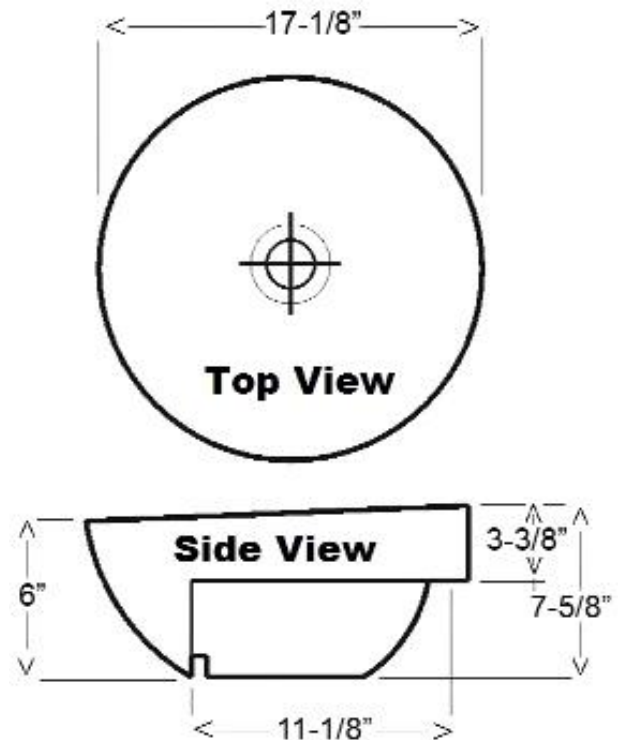
## Features:

- ▶ Made of fine fire clay for durability
- ▶ For use with recessed cabinets
- ▶ Chip and stain resistant

## Colors:

WH White

**Compliance Certification**  
 Meets or exceeds the following specifications: ASME 12.19.2.2013 and CSA B45.1-08 fireclay plumbing fixture.



Dimensions of fixture are nominal and may vary within the range of tolerances established by ASME Standard A112.19.2.2013. Dimensions and specifications subject to change without notice.