

Product information presented here reflects conditions at time of publication. Consult factory regarding discrepancies or inconsistencies.



MAIL TO: P.O. BOX 16347 • Louisville, KY 40256-0347
SHIP TO: 3649 Cane Run Road • Louisville, KY 40211-1961
TEL: (502) 778-2731 • 1 (800) 928-PUMP • FAX: (502) 774-3624

Visit our web site:
zoellerpumps.com

REPLACEMENT PARTS LIST FOR MODELS:

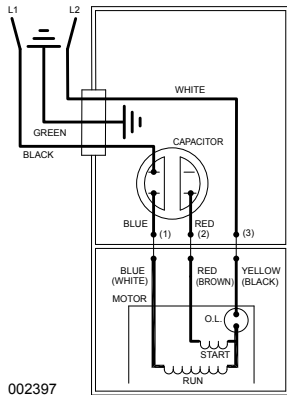
U292 AUTOMATIC 220V / 1 PH / 50 HZ
V292 NONAUTOMATIC 220V / 1 PH / 50 HZ
AK292 NONAUTOMATIC 380V / 3 PH / 50 HZ
K292 NONAUTOMATIC 380V / 3 PH / 60 HZ

Consult factory for all others models.

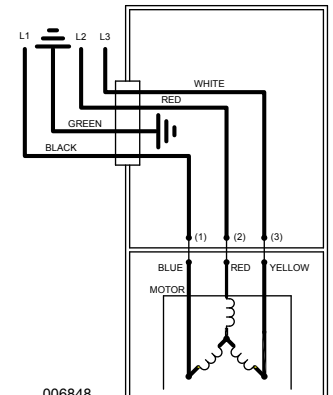
TO ORDER REPLACEMENT PARTS:

PLEASE FURNISH THE FOLLOWING INFORMATION:

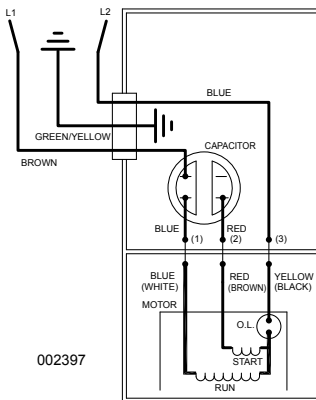
- Model number
- Part number of pump
- Part number and description of part



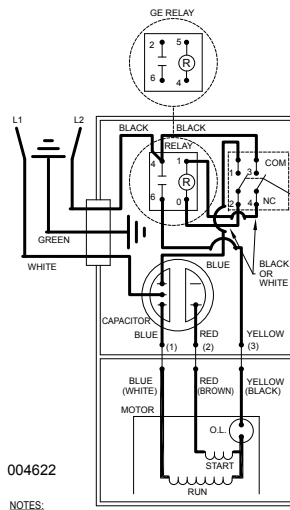
002397
WIRING DIAGRAM FOR MODEL
"V292" All Revisions
8/98 thru Current



006848
WIRING DIAGRAM FOR MODELS
"AK292" & "K292"
All Revisions

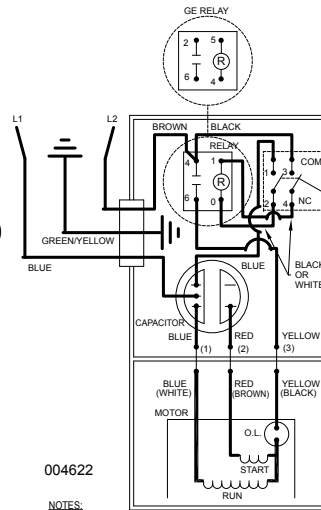


002397
WIRING DIAGRAM FOR MODEL
"V292" All Revisions
8/98 thru Current



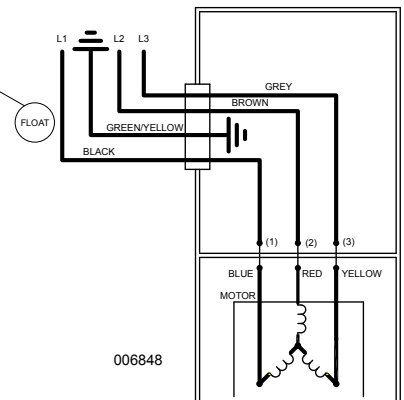
004622
WIRING DIAGRAM FOR MODEL
"U292" All Revisions
8/98 thru Current

NOTES:
INSULATORS REQUIRED ON GE RELAY TERMINALS 2 & 5;
OMRON RELAY TERMINALS 1 & 4.



004622
WIRING DIAGRAM FOR MODEL
"U292" All Revisions
8/98 thru Current

NOTES:
INSULATORS REQUIRED ON GE RELAY TERMINALS 2 & 5;
OMRON RELAY TERMINALS 1 & 4.



006848
WIRING DIAGRAM FOR MODELS
"AK292" & "K292"
All Revisions

REPLACEMENT PARTS LIST FOR MODEL "U292"

See page 6 for "U292" illustration.

REF. NO.	DESCRIPTION	QTY	NOTES	MODELS: U292-A			
				08/98 thru 11/09	12/09 thru 1/16	U292-B	U292-C
1	Case Sw & Cord (Cord, SOW- 6 m [20'] length no plug)	1	2	005383	005383	005383	005383
	Case Sw & Cord (Cord-10 m [33'] length BS 1363/A; UK Plug)			151264	151264	151264	151264
	Case Sw & Cord (Cord-5 m [15'] length CEE 7/7; E/F Plug)			152025	152025	152025	152025
	Case Sw & Cord (Cord-5 m [15'] length AS/NZS 3112; I Plug)			152024	152024	152024	152024
2	• Guard	1		001023	001023	001023	001023
3	Case-Mach	1	2	004614	004614	004614	004614
4	• Arm & Seal Asm	1		004745	004745	004745	004745
5	• Gasket, Case/Cover	1		001011	001011	001011	001011
6	Switch Asm	1		004744	004744	004744	004744
7	• Wire Pkg (5) Wires	1		004749	004749	004749	004749
8	Relay	1		217093	217093	153833	153833
9	Capacitor & Clamp Asm	1		002381	002381	002381	002381
10	Float, Plastic	1		094039	094039	094039	094039
11	Guide Asm, Flt Rod	1		001072	001072	001072	001072
12	Rod Asm, Flt	1		001043	150438	150438	150438
13	Housing, Motor & Stator	1	1	002504	150582	150582	150582
14	Bearing, Sleeve	1	4	001012	N/A	N/A	N/A
	• Bearing, Radial			N/A	006703	006703	006703
15	• Handle	1		217069	217069	217069	217069
16	Cord Term&Seal (SOW-6 m [20'] length)	1	2	005384	005384	005384	005384
	Cord Term&Seal (10 m [33'] length BS 1363/A; UK Plug)			151262	151262	151262	151262
	Cord Term&Seal (5 m [15'] length CEE 7/7; E/F Plug)			152017	152017	152017	152017
	Cord Term&Seal (5 m [15'] length AS/NZS 3112; I Plug)			152015	152015	152015	152015
17	Clamp, Strain Relief (Cord, SOW)	1	2	001770	001770	001770	001770
	Clamp, Strain Relief			152191	152191	152191	152191
18	• Seal, Cord-Asm & Strain Relief	1	2	094032	094032	094032	094032
19	• Plug, Test-White	2		034090	034090	034090	034090
20	• Seal, Thru Wall Term	3		003402	003402	003402	003402
21	Rotor & Bearing	1		002691	150575	150575	150575
22	• Bearing, Radial	1		001013	010069	010069	010069
23	• Seal, Motor Housing	1		001014	001014	001014	001014
24	• Oil, Dielectric	1		003168	011066	011066	011066
25	Adapter-Mach	1		001003	001003	001003	001003
26	• Seal, Shaft	1		002430	002430	002430	002430
27	Flange Pkg 2" NPT	1		10-1305	10-1305	10-1305	10-1305
	Flange Pkg 3" NPT			10-1306	10-1306	10-1306	10-1306
28	Impeller "292" Bronze	1		004222	004222	004222	004216
	Impeller "292" Cast iron			N/A	N/A	N/A	153999
29	Housing, Pump-Mach	1		001005	001005	001005	001005
30	• Screw, #10-24 X .375 RHM-SI SS	2		001883	001883	001883	001883
31	• Screw, #6-32 X .25 RHM SI Tc Stlgr	5		001877	001877	001877	001877
32	• Screw, .25-20 X .75 HHm-SS	4		001916	001916	001916	001916
33	• Screw, #6-32 X .438 Rhsltp Stlzi	2		004644	004644	004644	004644
34	• Screw, .5-13 X 2 HH Cap-SS	2		001909	001909	001909	001909
35	• Washer, SS-1.25Od X .562ld X .078	2		002115	002115	002115	002115
36	• Screw, .313-18 X 1 HH Cap-SS	4		002608	002608	002608	002608
37	• Screw, .25-20 X 1 HHm-SS	4		007790	007790	007790	007790
▣	Rebuild Kit			152036	152037	152037	152037

• Items included in Rebuild Kit.

▣ Not shown in illustration.

NOTES:

- 1) Motor Housing, Bearing, Stator & Term. (Item 13) is preassembled at the factory and must be replaced as a unit. Stator is permanently attached to the Motor Housing. Plug (Item 19); Seal, Thru Wall Term. (Item 20) and Bearing-Upper (Item 14) are replaceable.
- 2) If an "X" follows Model No., or Date Mfg. On brass ID tag, consult factory for ordering of this part.
- 3) See FM0160 Parts Price Sheet for listing of parts prices.
- 4) "NA" indicates, not applicable.

REPLACEMENT PARTS LIST FOR MODEL "V292"

See page 7 for "V292" illustration.

REF. NO.	DESCRIPTION	QTY	NOTES	MODELS: V292-A			V292-B	V292-C
				08/98 thru 11/09	12/09 thru 9/16	10/16 thru Current		
1	• Handle	1		217069	217069	217069		
2	Cover & Cord (Cord, SOW-6 m [20'] length no plug)	1	2	013883	013883	013883		
	Cover & Cord (Cord-10 m [33'] length BS 1363/A; UK Plug)			151265	151265	151265		
	Cover & Cord (Cord-10 m [33'] length CEE 7/7; E/F Plug)			152027	152027	152027		
	Cover & Cord (Cord-5 m [15'] length AS/NZS 3112; I Plug)			152026	152026	152026		
3	Cover-Mach	1	2	001077	001077	001077		
4	• Gasket, Case/Cover	1		001011	001011	001011		
5	• Wire Pkg (2) Wires	1		004756	004756	004756		
6	Capacitor & Clamp Asm	1		002381	002381	002381		
7	Housing, Motor & Stator	1	1	002504	150582	150582		
8	Bearing, Sleeve	1	4	001012	N/A	N/A		
	• Bearing, Radial			N/A	006703	006703		
9	Cord Term&Seal (SOW-6 m [20'] length)	1	2	005385	005385	005385		
	Cord Term&Seal (10 m [33'] length BS 1363/A; UK Plug)			151263	151263	151263		
	Cord Term&Seal (10 m [33'] length CEE 7/7; E/F Plug)			152018	152018	152018		
	Cord Term&Seal (5 m [15'] length AS/NZS 3112; I Plug)			152016	152016	152016		
10	Clamp, Strain Relief (Cord, SOW)	1	2	001770	001770	001770		
	Clamp, Strain Relief			152191	152191	152191		
11	• Seal, Cord-Asm & Strain Relief	1	2	094032	094032	094032		
12	• Plug, Test-White	2		034090	034090	034090		
13	• Seal, Thru Wall Term	3		003402	003402	003402		
14	Rotor & Bearing	1		002691	150575	150575		
15	• Bearing, Radial	1		001013	010069	010069		
16	• Seal, Motor Housing	1		001014	001014	001014		
17	• Oil, Dielectric	1		003168	011066	011066		
18	Adapter-Mach	1		001003	001003	001003		
19	• Seal, Shaft	1		002430	002430	002430		
20	Flange Pkg 2" NPT	1		10-1305	10-1305	10-1305		
	Flange Pkg 3" NPT			10-1306	10-1306	10-1306		
21	Impeller "292" Bronze	1		004222	004222	004216		
	Impeller "292" Cast iron			N/A	N/A	153999		
22	Housing, Pump-Mach	1		001005	001005	001005		
23	• Screw, #6-32 X .25 RHM SI Tc Stlgr	3		001877	001877	001877		
24	• Screw, #10-24 X .375 RHM-SI SS	2		001883	001883	001883		
25	• Screw, .25-20 X .75 HHm-SS	4		001916	001916	001916		
26	• Screw, .5-13 X 2 HH Cap-SS	2		001909	001909	001909		
27	• Washer, SS-1.25Od X .562Id X .078	2		002115	002115	002115		
28	• Screw, .313-18 X 1 HH Cap-SS	4		002608	002608	002608		
29	• Screw, .25-20 X 1 HHm-SS	4		007790	007790	007790		
▣	Rebuild Kit			152038	152039	152039		

• Items included in Rebuild Kit.

▣ Not shown in illustration.

NOTES:

- 1) Motor Housing, Bearing, Stator & Term. (Item 7) is preassembled at the factory and must be replaced as a unit. Stator is permanently attached to the Motor Housing. Plug (Item 12); Seal, Thru Wall Term. (Item 13) and Bearing-Upper (Item 8) are replaceable.
- 2) If an "X" follows Model No., or Date Mfg. On brass ID tag, consult factory for ordering of this part.
- 3) See FM0160 Parts Price Sheet for listing of parts prices.
- 4) "NA" indicates, not applicable.

REPLACEMENT PARTS LIST FOR MODEL "AK292"

See back page for "AK292" illustration.

REF. NO.	DESCRIPTION	QTY	NOTES	MODELS: AK292-A		
				08/98 thru 11/09	AK292-B	AK292-C
1	• Handle	1		217069	217069	217069
2	Cover & Cord (Cord, SOW-6 m [20'] length)	1	2	002963	002963	002963
	Cover & Cord (Cord, CE-10 m [33'] length)			152028	152028	152028
3	Cover-Mach	1	2	001077	001077	001077
4	• Gasket, Case/Cover	1		001011	001011	001011
5	Housing, Mtr-&Str	1	1	007684	150585	150585
6	Bearing, Sleeve	1	4	001012	N/A	N/A
	• Bearing, Radial			N/A	006703	006703
7	Clamp, Strain Relief	1	2	001770	001770	001770
8	Cord Term&Seal (Cord, SOW-6 m [20'] length)	1	2	005131	005131	005131
	Cord Term&Seal (Cord, CE-10 m [33'] length)			152019	152019	152019
9	• Seal, Cord-Asm & Strain Relief			094032	094032	094032
10	• Plug, Test-White	2		034090	034090	034090
11	• Seal, Thru Wall Term	3		003402	003402	003402
12	Rotor & Bearing	1	5	007683	150576	150576
13	• Bearing, Radial	1		001013	010069	010069
14	• Seal, Motor Housing	1		001014	001014	001014
15	• Oil, Dielectric	1		003168	011066	011066
16	Adapter-Mach	1		001003	001003	001003
17	• Seal, Shaft	1		002430	002430	002430
18	Impeller "292" Bronze	1		012218	012218	012977
	Impeller "292" Cast iron	1		N/A	N/A	154000
19	Flange Pkg 2" NPT	1		10-1305	10-1305	10-1305
	Flange Pkg 3" NPT			10-1306	10-1306	10-1306
20	Housing, Pump-Mach	1		001005	001005	001005
21	• Screw, #6-32 X .25 RHM SI Tc Stlgr	1		001877	001877	001877
22	• Screw, .25-20 X .75 HHm-SS	4		001916	001916	001916
23	• Screw, .313-18 X 1 HH Cap-SS	4		002608	002608	002608
24	• Screw, .5-13 X 2 HH Cap-SS	2		001909	001909	001909
25	• Washer, SS-1.25Od X .562Id X .078	2		002115	002115	002115
26	• Screw, #10-24 X .375 RHM-SI SS	1		001883	001883	001883
27	• Screw, .25-20 X 1 HHm-SS	4		007790	007790	007790
28	• Nut, Acorn SS	1		004351	004351	004351
29	• Spring, bearing preload	1		N/A	N/A	N/A
▣	Rebuild Kit			152038	152039	152039

• Items included in Rebuild Kit.

▣ Not shown in illustration.

NOTES:

- 1) Motor Housing, Bearing, Stator & Term. (Item 5) is preassembled at the factory and must be replaced as a unit. Stator is permanently attached to the Motor Housing. Plug (Item 10); Seal, Thru Wall Term. (Item 11) and Bearing-Upper (Item 6) are replaceable.
- 2) If an "X" follows Model No., or Date Mfg. On brass ID tag, consult factory for ordering of this part.
- 3) See FM0160 Parts Price Sheet for listing of parts prices.
- 4) "NA" indicates, not applicable.

REPLACEMENT PARTS LIST FOR MODEL "K292"

See back page for "K292" illustration.

MODELS: K292-A						K292-B
REF. NO.	DESCRIPTION	QTY	NOTES	11/10 thru 5/16	6/16 thru Current	
1	• Handle	1		217069	217069	
2	Cover & Cord (Cord, SOW-6 m [20'] length)	1	2	002963	002963	
3	Cover-Mach	1	2	001077	001077	
4	• Gasket, Case/Cover	1		001011	001011	
5	Housing, Motor & Stator	1	1	150585	150585	
6	Bearing, Sleeve	1		N/A	N/A	
	• Bearing, Radial			006703	006703	
7	Clamp, Strain Relief	1	2	001770	001770	
8	Cord Term&Seal (Cord, SOW-6 m [20'] length)	1	2	005131	005131	
9	• Seal, Cord-Asm & Strain Relief			094032	094032	
10	• Plug, Test-White	2		034090	034090	
11	• Seal, Thru Wall Term	3		003402	003402	
12	Rotor & Bearing	1	5	150576	150576	
13	• Bearing, Radial	1		010069	010069	
14	• Seal, Motor Housing	1		001014	001014	
15	• Oil, Dielectric	1		011066	011066	
16	Adapter-Mach	1		001003	001003	
17	• Seal, Shaft	1		002430	002430	
18	Impeller "292" Bronze	1		150843	150843	
	Impeller "292" Cast iron			N/A	153998	
19	Flange Pkg 2" NPT	1		10-1305	10-1305	
	Flange Pkg 3" NPT			10-1306	10-1306	
20	Housing, Pump-Mach	1		001005	001005	
21	• Screw, #6-32 X .25 RHM SI Tc Stlgr	1		001877	001877	
22	• Screw, .25-20 X .75 HHm-SS	4		001916	001916	
23	• Screw, .313-18 X 1 HH Cap-SS	4		002608	002608	
24	• Screw, .5-13 X 2 HH Cap-SS	2		001909	001909	
25	• Washer, SS-1.25Od X .562Id X .078	2		002115	002115	
26	• Screw, #10-24 X .375 RHM-SI SS	1		001883	001883	
27	• Screw, .25-20 X 1 HHm-SS	4		007790	007790	
28	• Nut, Acorn SS	1		004351	004351	
29	• Spring, bearing preload	1		N/A	N/A	
☐	Rebuild Kit			152039	152039	

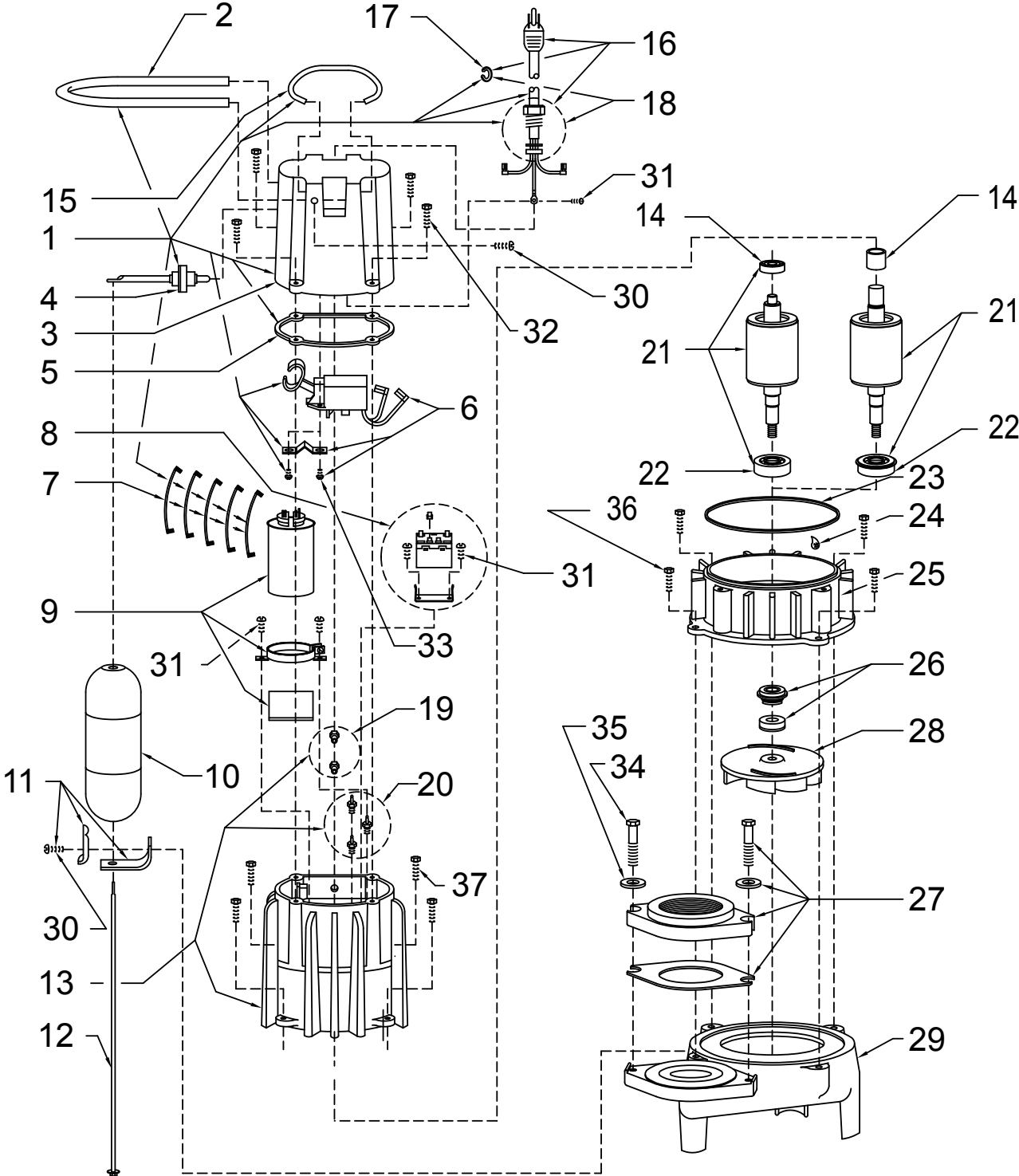
• Items included in Rebuild Kit.

☐ Not shown in illustration.

NOTES:

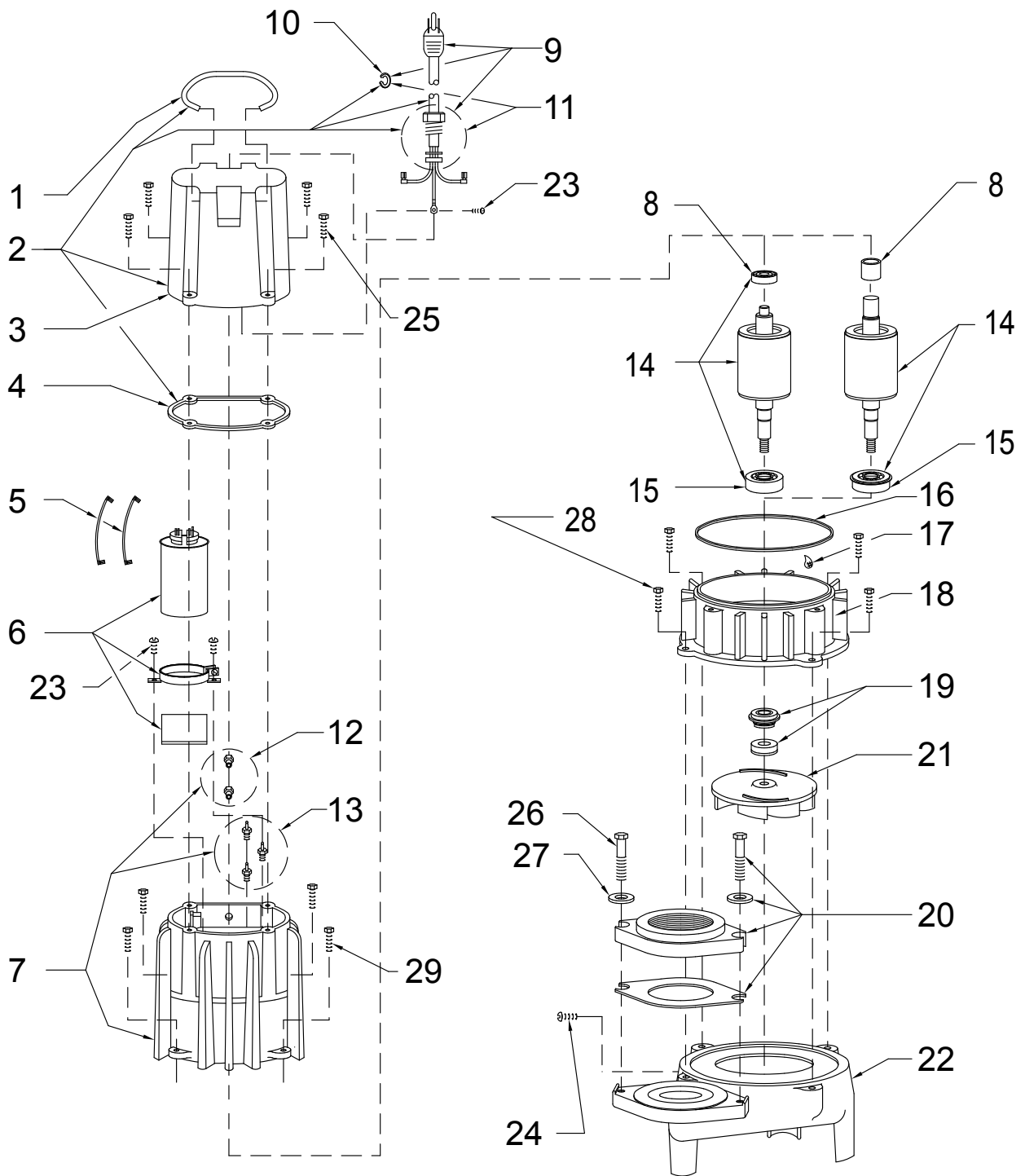
- 1) Motor Housing, Bearing, Stator & Term. (Item 17) is preassembled at the factory and must be replaced as a unit. Stator is permanently attached to the Motor Housing. Plug (Item 19); Seal, Thru Wall Term. (Item 20) and Bearing-Upper (Item 18) are replaceable.
- 2) If an "X" follows Model No., or Date Mfg. On brass ID tag, consult factory for ordering of this part.
- 3) See FM0160 Parts Price Sheet for listing of parts prices.
- 4) "NA" indicates, not applicable.

REPLACEMENT PARTS ILLUSTRATION FOR MODEL "U292"



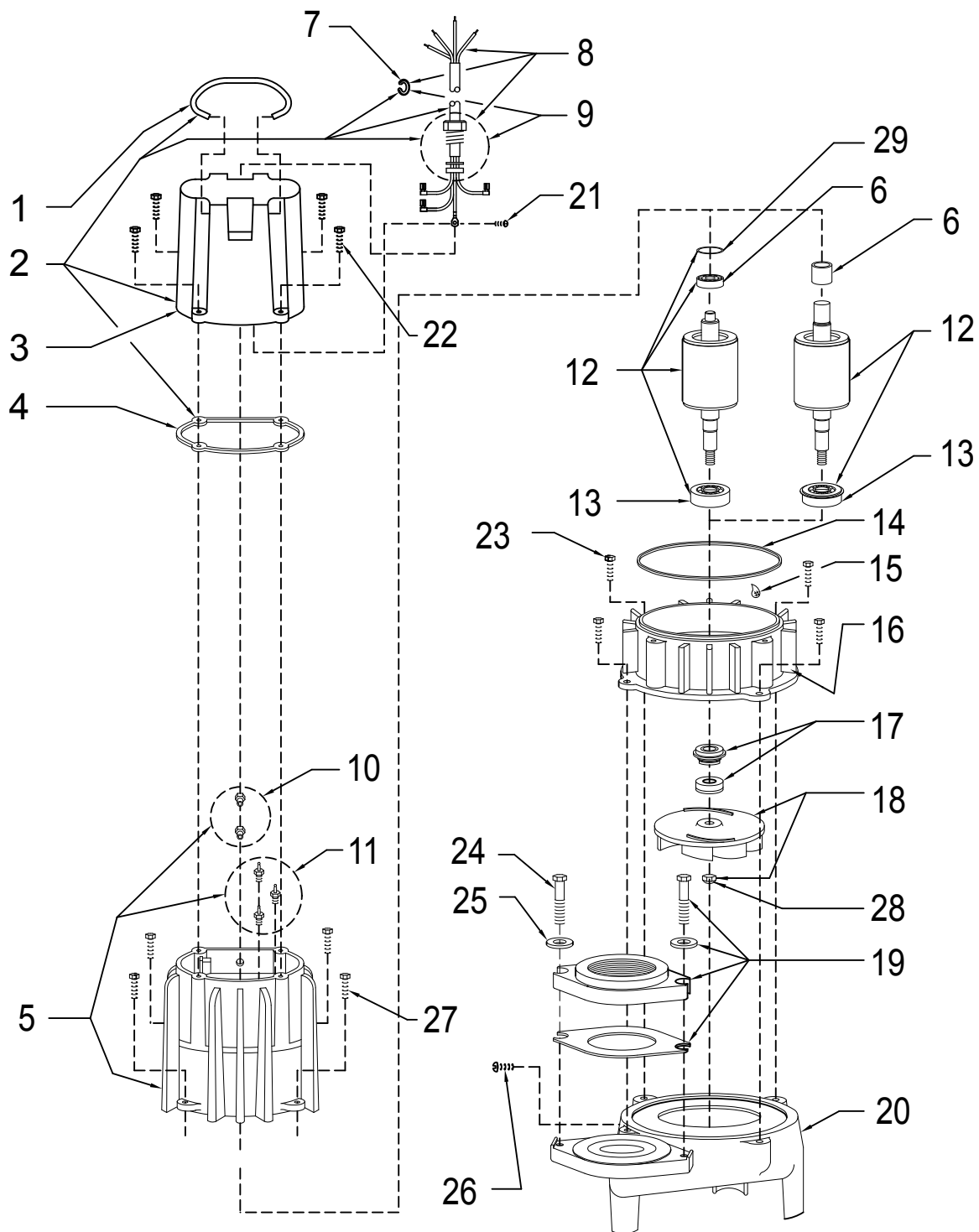
SK265

REPLACEMENT PARTS ILLUSTRATION FOR MODEL "V292"



SK925

REPLACEMENT PARTS ILLUSTRATION FOR MODELS "AK292" & "K292"



SK1285



MAIL TO: P.O. BOX 16347 • Louisville, KY 40256-0347 USA
 SHIP TO: 3649 Cane Run Road • Louisville, KY 40211-1961 USA
 +1 (502) 778-2731 • 1-800-928-7867 • FAX +1 (502) 774-3624

visit our web site:
zoellerpumps.com

Trusted. Tested. Tough.™