

Junction Boxes

Convenient, Watertight Boxes For Making Wiring Splices In The Field



Zoeller Pump Company's junction boxes provide a convenient, watertight location to connect the pump and variable level control switch wires used in pump chambers, dose tanks, sump pump basins, holding tanks, and lift stations. Each junction box includes a NEMA 4X enclosure and a removable cover for easy access to all electrical connections. Junction boxes are preassembled at the factory and can be ordered with conduit adapter hubs of various sizes for ease of installation.

Features

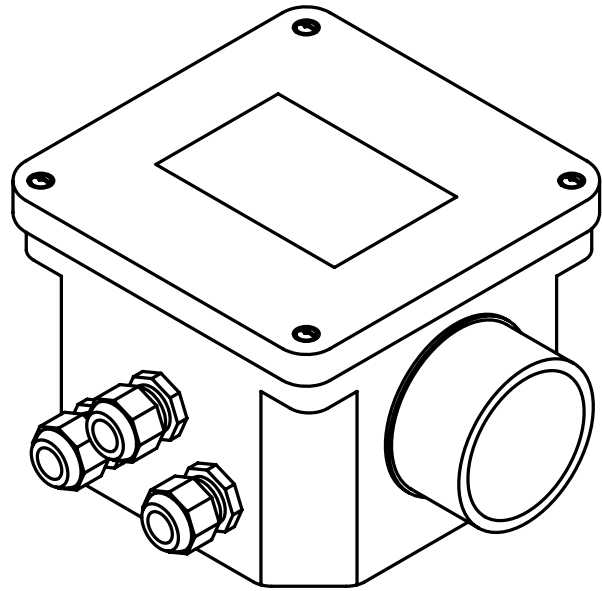
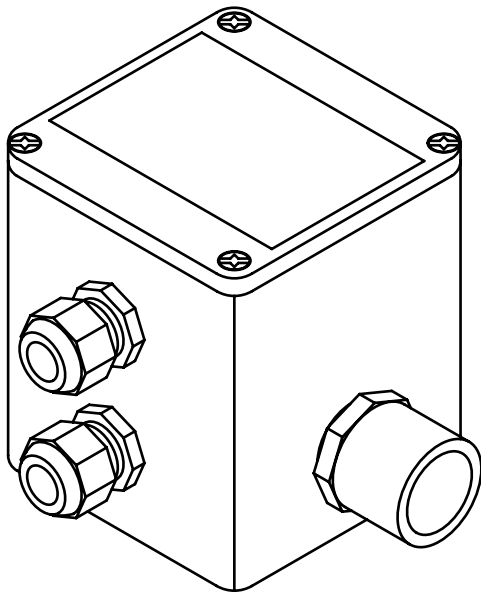
- Watertight NEMA 4X enclosure
- Available in different sizes
- Available with various conduit adapter hubs
- Boxes come complete with cord seals



Trusted. Tested. Tough.®

zoellerpumps.com 800-928-7867
3649 Cane Run Road, Louisville, KY 40211 USA

CL0120
0121
Supersedes
0419



SK2193

UL listed and CSA certified high impact, corrosion resistant, weatherproof thermoplastic enclosure with flexible PVC gasket and brass screws. Pre-assembled at the factory for convenience and ease of installation

Junction Boxes	
Part Number	Description
10-1398	4" x 4" x 4" J-box w/ 0.75" hub, 4 small cord grips, 1 plug
10-1399	4" x 4" x 4" J-box w/ 1.5" hub, 4 small cord grips, 1 plug
10-1402	6" x 6" x 4" J-box w/ 1.5" hub, 4 small cord grips, 1 plug
10-1403	6" x 6" x 4" J-box w/ 2.0" hub, 5 small cord grips, 1 plug
10-1710	6" x 6" x 4" J-box w/ 2.0" hub, 6 small cord grips, 1 plug