

## For Residential and Commercial Applications

Job Name \_\_\_\_\_

Contractor \_\_\_\_\_

Job Location \_\_\_\_\_

Approval \_\_\_\_\_

Engineer \_\_\_\_\_

Contractor's P.O. No. \_\_\_\_\_

Approval \_\_\_\_\_

Representative \_\_\_\_\_

# LEAD FREE\*

## Series LFTP Temperature or Pressure Test Plugs

Sizes: 1/4" and 1/2" NPT

Watts LFTP Series allows you to take pressure or temperature readings - quickly - and eliminate the need for leaving costly gauges or temperature recorders on the line. Can be used on various applications of gas, air, water or chemicals to 500psi (34 bar). The LFTP features Lead Free\* construction to comply with Lead Free\* installation requirements. Recommended maximum temperature ratings of Neoprene is 200°F (93°C), EPDM is 275°F (135°C) and Viton® is 400°F (204°C).

The pressure gauge adapter has a .076 diameter probe of 300 series stainless steel with Lead Free\* brass union nut. The probe operates in either 1/4" or 1/2" NPT sizes to accommodate insulated pipe applications.

### Features

- Allows quick and efficient temperature or pressure readings.
- Eliminates leaving expensive gauges or temperature recorders in line.
- Economical means of balancing heating and air conditioning systems
- Eliminates shutting down system for temperature and pressure checks

### Specifications

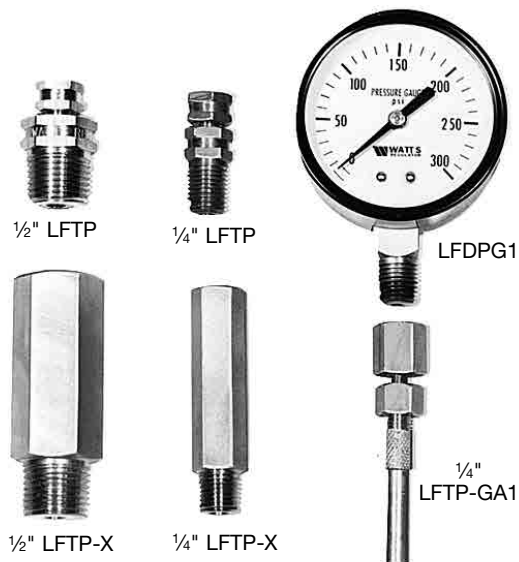
#### Temperature or Pressure Checks

The Watts LFTP Series are to be permanently installed in the line at required test locations. The cap protects the valve and provides an additional seal. Once the cap has been removed, either a test thermometer or gauge adapter with the proper pressure gauge can be inserted through the self-closing valve. Readings, adjustments or tests can be accomplished. When the probes are withdrawn the valve seals. The protective cap is then replaced.

Tests should be made as quickly as possible since the reseal time is dependent upon time of insertion, temperature and pressure. Slower valve reseal can be expected at lower temperature and lower pressures. Lead Free\* Temperature or Pressure Test Plugs shall be constructed using Lead Free\* materials. Lead Free\* Test Plugs shall comply with state codes and standards, where applicable, requiring reduced lead content.

Viton® is a registered trademark of DuPont Dow Elastomers.

Watts product specifications in U.S. customary units and metric are approximate and are provided for reference only. For precise measurements, please contact Watts Technical Service. Watts reserves the right to change or modify product design, construction, specifications, or materials without prior notice and without incurring any obligation to make such changes and modifications on Watts products previously or subsequently sold.



#### Color Coded

Neoprene- Blue  
EPDM - White  
Viton® - Green

Test Gauge	
Range	Graduation
0-30	1 - 30
0-160	5 - 160
0-300	10 - 300

\*The wetted surface of this product contacted by consumable water contains less than 0.25% of lead by weight.

## Plug Inserts Compatibility

**Note:** Decal on cap color coded for plug material.

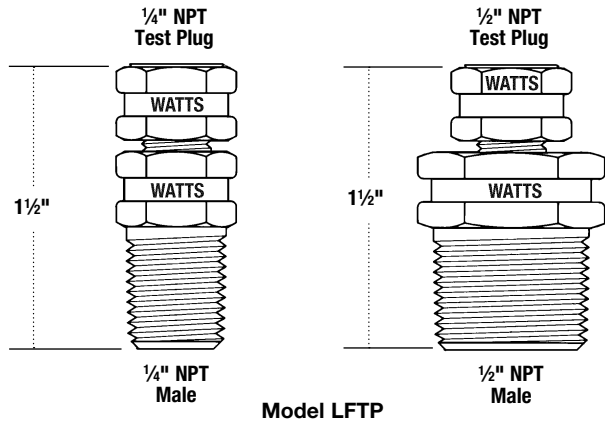
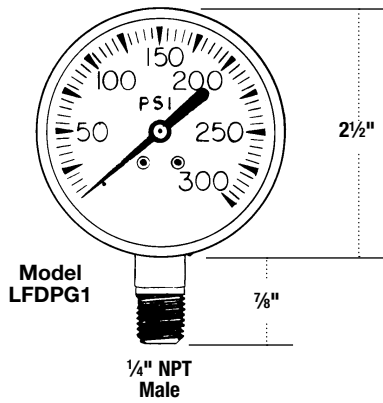
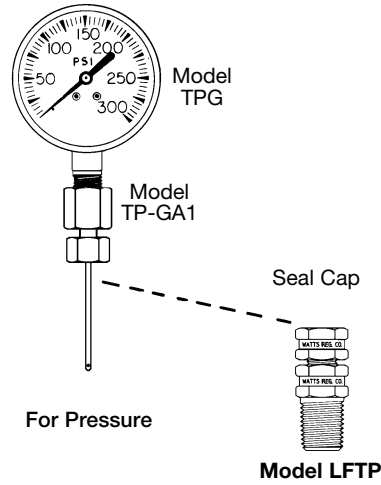
**Neoprene (Blue)** - Natural gas and petroleum products  
Temperature range: -40°F to 200°F (-40°C to 93°C)

**EPDM (White)** - Hot and cold water service  
Temperature range: -40°F to 275°F (-40°C to 135°C)

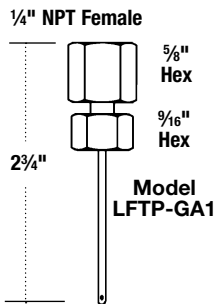
**Viton® (Green)** - Hot oil service, chemical resistance.  
Temperature range: -10°F to 400°F (-23°C to 204°C)

**Note 1:** Viton® Test Plugs are not recommended for use with probes larger than .080 diameter or continuous leakage may occur.

**Note 2:** Maximum temperature for TPG gauges is 185°F.



Case and Ring - Black coated steel  
Bourdon tube copper  
Socket - Lead Free\* Brass



MODEL	ORDER NO.	SIZE	MATERIAL	MAX. TEMP./ PRESSURE	MASTER CARTON NO. PIECES	WEIGHT (LBS.)
LFTP-N (Neoprene)	0123012	1/4" NPT	Lead Free* Brass	200°F-500psi	180	17
LFTP-E (EPDM)	0123005	1/4" NPT	Lead Free* Brass	275°F-500psi	180	17
LFTP-V (Viton®)	0123008	1/4" NPT	Lead Free* Brass	400°F-500psi	180	17
LFTP-N (Neoprene)	0123013	1/2" NPT	Lead Free* Brass	200°F-500psi	72	14
LFTP-E (EPDM)	0123006	1/2" NPT	Lead Free* Brass	275°F-500psi	72	14
Extensions						
LFTP-X (3")	0123007	1/4"m x 1/4"f	Lead Free* Brass		90	23
LFTP-X (3")	0123009	1/2"m x 1/2"f	Lead Free* Brass		36	23
Gauges						
LFDPG1-30	0121638	1/4" NPT	Lead Free* Brass	185°F-30psi	40	.06
LFDPG1-160	0121641	1/4" NPT	Copper bourdon tube socket	185°F-160psi	40	.06
LFDPG1-300	0121643	1/4" NPT	Copper bourdon tube socket	185°F-300psi	40	.06
Gauge Adaptors						
LFTP-GA1	0123014	1/4" NPT	Lead Free* Brass Body 300 Series SS Probe		90	23



A Watts Water Technologies Company



ISO 9001-2008 CERTIFIED

USA: Tel: (978) 688-1811 • Fax: (978) 794-1848 • www.watts.com  
Canada: Tel: (905) 332-4090 • Fax: (905) 332-7068 • www.watts.ca