

## PRESFLO®

### Tub Trim Kits

#### SPECIFICATIONS

#### FEATURES:

- Metal strainer body, 1.25" deep
- Metal overflow plate, 3.375" wide
- Designed for heavy-duty use in hotels, motels, and rental property
- Adapter bar for changing from two to one-hole overflow plate

#### PATENTS:

- See <http://watcomfg.com/Watco/patents/> for Details

#### OPERATION:

- Push down on any edge of stopper to open and close.



#### Finishes Available in the PRESFLO® Series:

Trim Kits:	38250	38260	38270	38280		
CP - Chrome Plated	•	•	•	•		
AB - Antique Brass						
AP - Aged Pewter	•	•	•	•		
BB - Brushed Bronze	•	•	•	•		
BN - Brushed Nickel	•	•	•	•		
BO - Bone						
BS - Biscuit						
BZ - Oil-Rubbed Bronze	•	•	•	•		
CB - Chrome Brushed	•	•	•	•		
NP - Nickel Polished	•	•	•	•		
PB - Polished Brass	•	•	•	•		
WH - White						
WI - Wrought Iron	•	•	•	•		

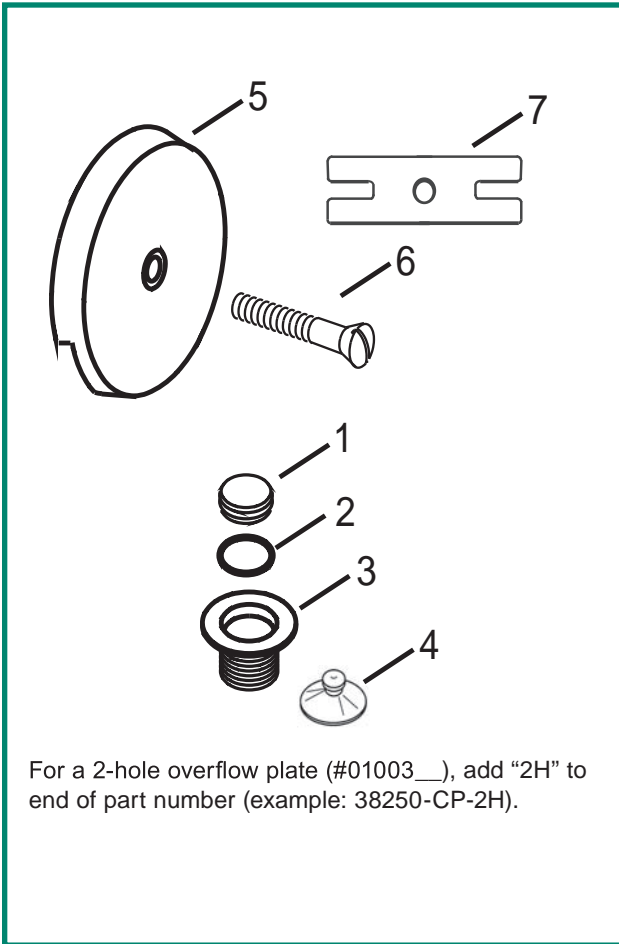
See price list for complete item numbers and available options.

When ordering, please specify complete item number and any applicable option codes.



For More Information Contact:  
**WATCO Manufacturing Company**  
 1220 South Powell Road  
 Independence, MO 64057-2724  
 Ph. 816-796-3900 • FAX 816-796-0875  
[www.watcomfg.com](http://www.watcomfg.com)

# PRESFLO® TRIM KIT PARTS LIST



Item	Part #	Description
<b>WITH COARSE-THREAD BODY:</b>		
1.	11145__ * ...	PRESFLO® Stopper, <u>Plastic</u> , for 11.5-thread
	11140__ * ...	PRESFLO® Stopper, <u>Brass</u> , CP and PB only
2.	11132.....	PRESFLO® O-Ring Seal for 11140-45 stoppers
3.	11060__ * ...	PRESFLO® Strainer Body, 1.865"-11.5-1.25"
4.	96039.....	Suction Cup for removing stopper
5.	01002__ * ..	1-Hole Overflow Plate, metal
6.	01024__ * ...	Overflow Plate Screw, 2.25"
7.	11641 .....	Adapter Bar
<b>WITH FINE-THREAD BODY:</b>		
1.	11155__ * ...	PRESFLO® Stopper, <u>Plastic</u> , for 16-thread
	11150__ * ...	PRESFLO® Stopper, <u>Brass</u> , all PF finishes
2.	11131.....	PRESFLO® O-Ring Seal for 11150-55 stoppers
3.	11070__ * ...	PRESFLO® Strainer Body, 1.625"-16-1.25"
4.	96039.....	Suction Cup for removing stopper
5.	01002__ * ..	1-Hole Overflow Plate, metal
6.	01024__ * ...	Overflow Plate Screw, 2.25"
7.	11641 .....	Adapter Bar
*Please indicate desired finish.		