



# T&S BRASS AND BRONZE WORKS, INC.

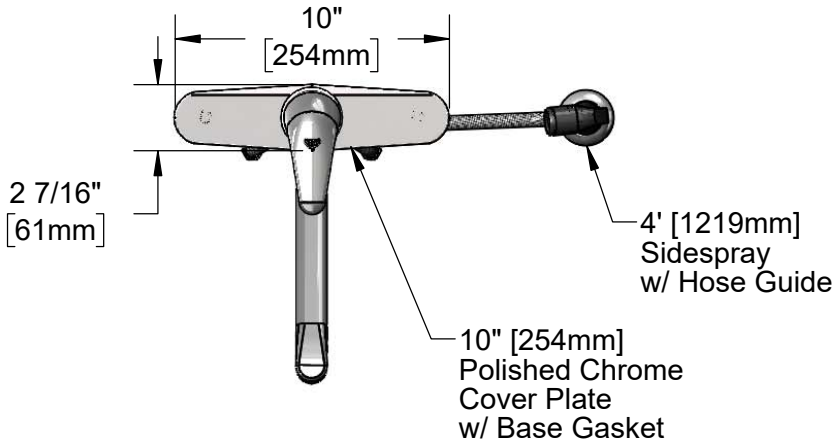
2 Saddleback Cove / P.O. Box 1088  
Travelers Rest, SC 29690

Model No.

**B-2730-WS**

Item No.

Travelers Rest, SC: 800-476-4103 • Simi Valley, CA: 800-423-0150 • Fax: 864-834-3518 • www.tsbrass.com



This Space for Architect/Engineer Approval

Job Name \_\_\_\_\_ Date \_\_\_\_\_

Model Specified \_\_\_\_\_ Quantity \_\_\_\_\_

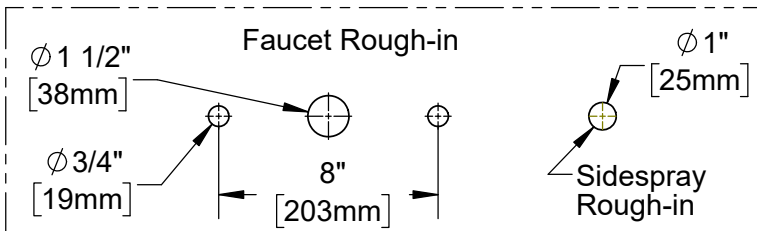
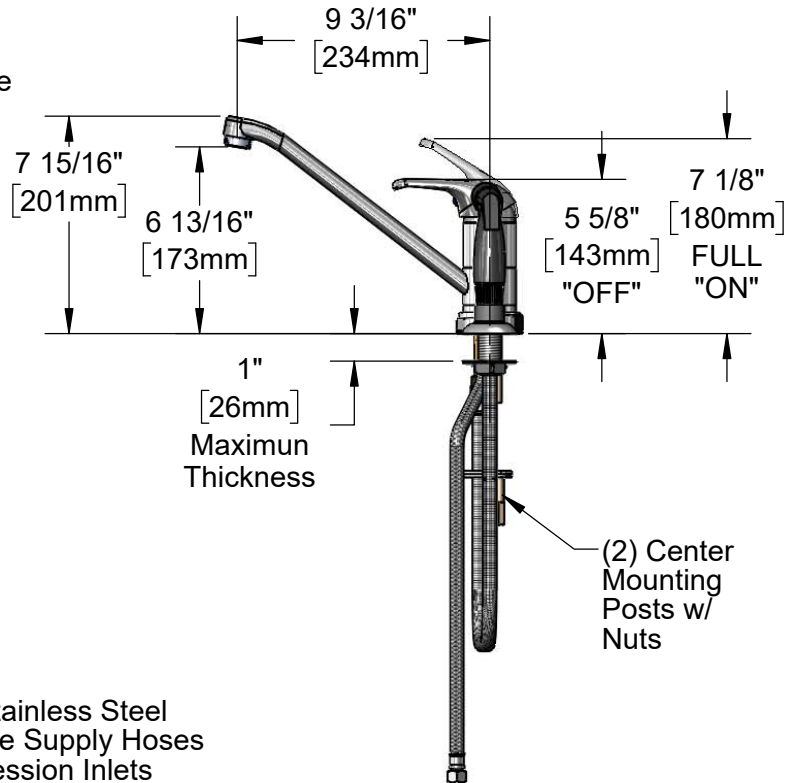
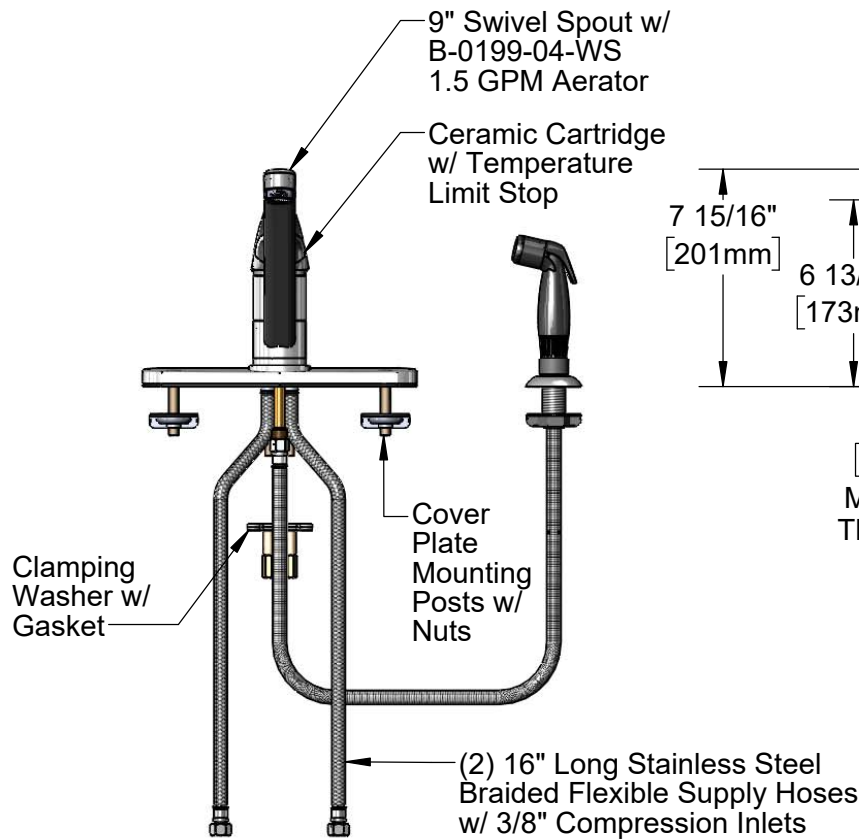
Customer/Wholesaler \_\_\_\_\_

Contractor \_\_\_\_\_

Architect/Engineer \_\_\_\_\_



**ADA Compliant**



**Product Specifications:**  
Single Lever Deck Mount Faucet w/ 9" Spout, 1.5 GPM Aerator, Flexible Supplies, 10" Deckplate, Temperature Limit Stop & 4' Sidespray

**Product Compliance:**  
ASME A112.18.1 / CSA B125.1  
NSF 61 - Section 9  
NSF 372 (Low Lead Content)  
ANSI A117.1 (ADA)  
EPA WaterSense (PRSV)



# T&S BRASS AND BRONZE WORKS, INC.

2 Saddleback Cove / P.O. Box 1088  
Travelers Rest, SC 29690

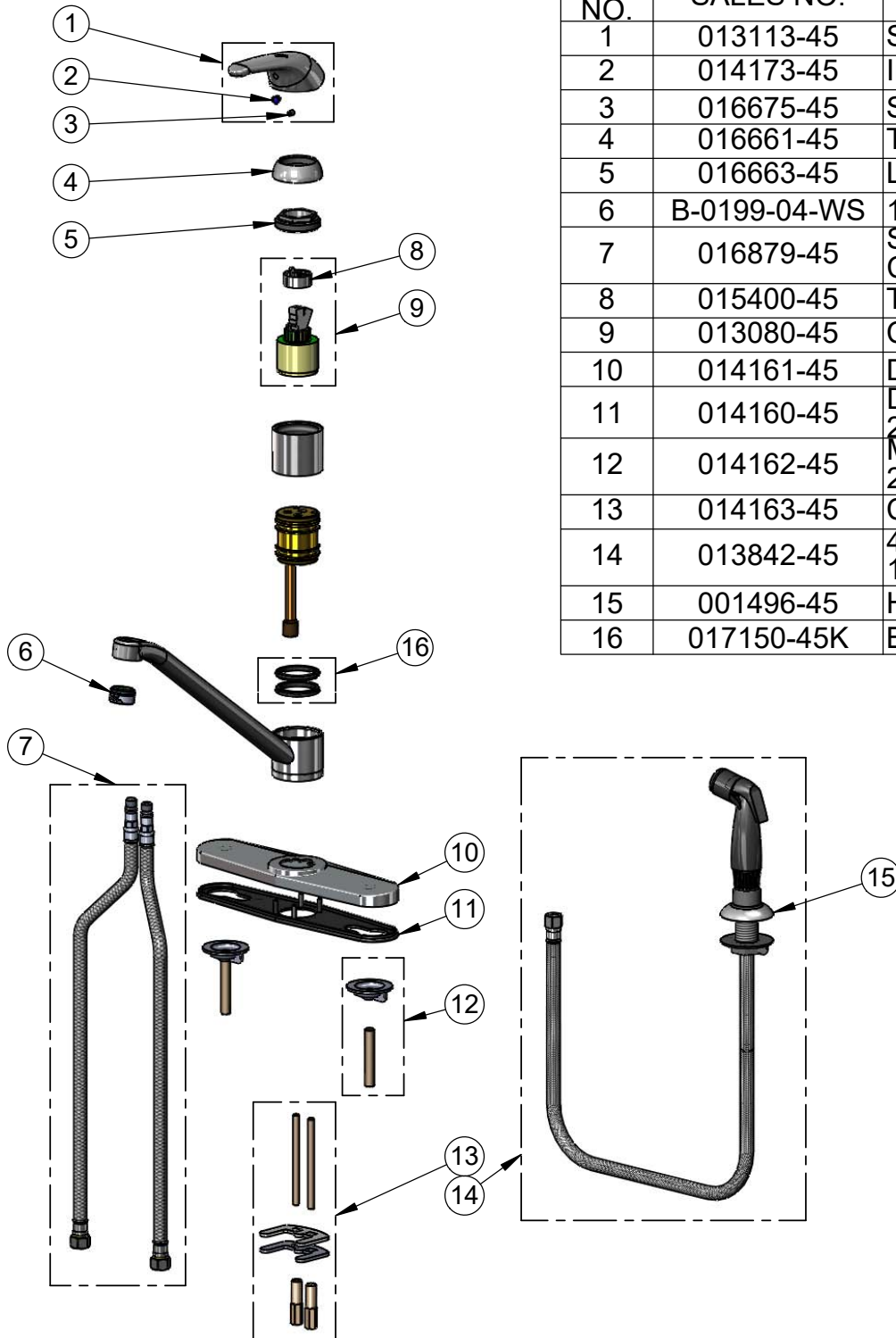
Model No.

**B-2730-WS**

Item No.

Travelers Rest, SC: 800-476-4103 • Simi Valley, CA: 800-423-0150 • Fax: 864-834-3518 • www.tsbrass.com

ITEM NO.	SALES NO.	DESCRIPTION
1	013113-45	Single Lever Short Handle
2	014173-45	Index, Temperature
3	016675-45	Set Screw
4	016661-45	Trim Ring
5	016663-45	Locking Nut
6	B-0199-04-WS	1.5 GPM Aerator, 15/16-27 Male
7	016879-45	Supply Hoses (2), 3/8" Compression Inlet, 16" Long
8	015400-45	Temperature Limit Stop
9	013080-45	Cartridge, B-2730 & B-2731
10	014161-45	Deck Plate, B-2730 & B-2731
11	014160-45	Deck Plate Gasket, B-2730 & B-2731
12	014162-45	Mounting Post & Nut Kit (Set of 2)
13	014163-45	Center Mounting Kit
14	013842-45	4' Sidespray w/ Hose Guide, 1/4-18 NPSM Female Connection
15	001496-45	Hose Guide
16	017150-45K	Base Seal (2)



**Product Specifications:**  
Single Lever Deck Mount Faucet w/ 9" Spout, 1.5 GPM Aerator, Flexible Supplies, 10" Deckplate, Temperature Limit Stop & 4' Sidespray

**Product Compliance:**  
ASME A112.18.1 / CSA B125.1  
NSF 61 - Section 9  
NSF 372 (Low Lead Content)  
ANSI A117.1 (ADA)  
EPA WaterSense (PRSV)