



Location:

3606-H321-V-TRM, 3606H321TRMTC
Tub/Shower/Hand Shower Trim
Specification Submittal



Feature Highlights

- Duro Tub/Shower/Hand Shower Trim
- Requires Temptrol® Pressure Balancing Tub/Shower Valve
- Requires Symmons Triple Outlet Diverter Valve
- Metal lever handle
- 30" slide bar for hand shower wand
- Dual checks for backflow protection
- 60" flexible metal hose
- 7" non-diverter tub spout
- 1 mode hand shower wand
- 2.5 gpm (9.5 L/min) flow restrictor
- Components shall be metal and nonmetallic construction, plated in standard Polished Chrome finish
- Available with TA-10 flow control spindle and T-12A cap assembly for Temptrol valve bodies installed with Test Cap (order p/n 3606H321TRMTC)
- For optional in-line vacuum breaker order p/n EF-109

Model Numbers

- 3606-H321-V-TRM**
Tub/Shower/Hand Shower Trim, Temptrol Pressure Balancing Tub/Shower Valve and Symmons Triple Outlet Diverter valve ordered separately
- 3606H321TRMTC**
Tub/Shower/Hand Shower Trim with TA-10 flow control spindle and T-12A cap assembly, must order Temptrol valve with Test Cap

Compliance




- ASME A112.18.1/CSA B125.1



Warranty

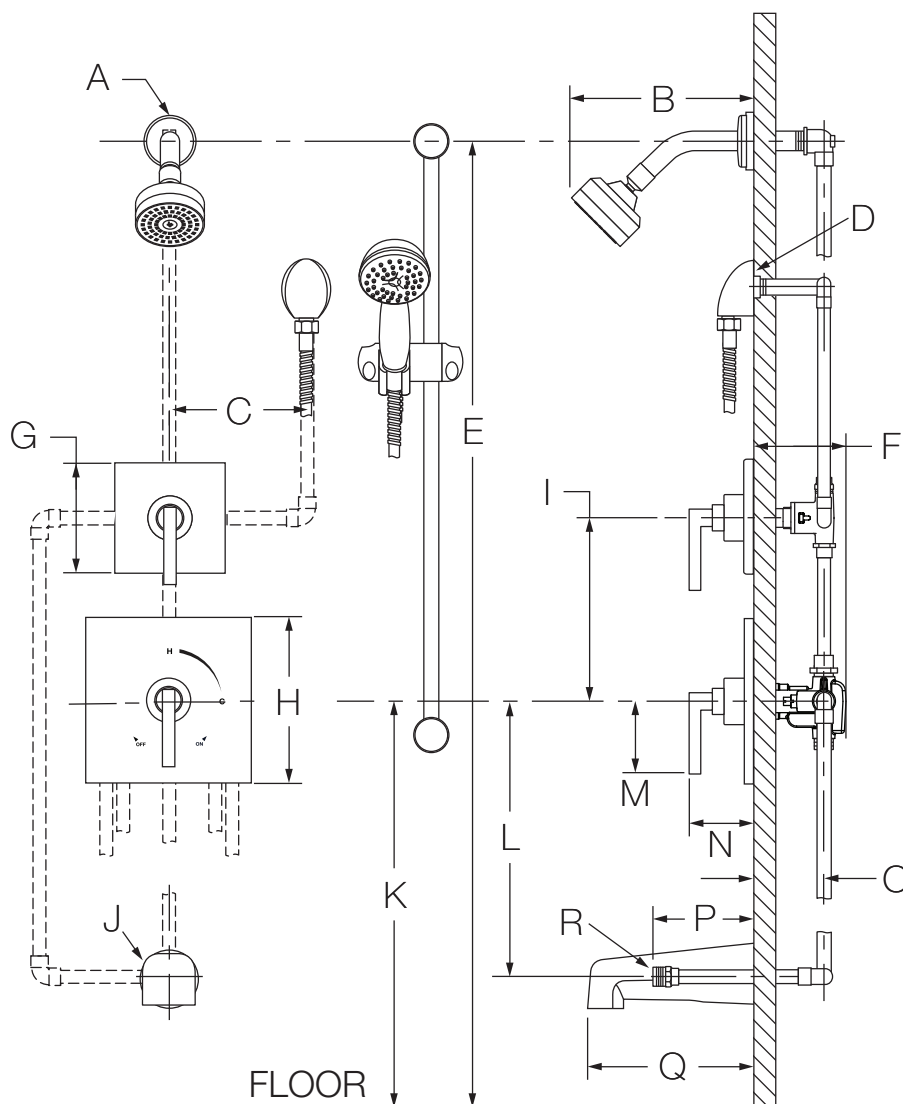
Limited Lifetime - to the original end purchaser in consumer/residential installations.
5 Years - for industrial/commercial installations.
Refer to www.symmons.com/warranty for complete warranty information.
Go to www.symmons.com/register to register your Symmons product.

Options/Modifications

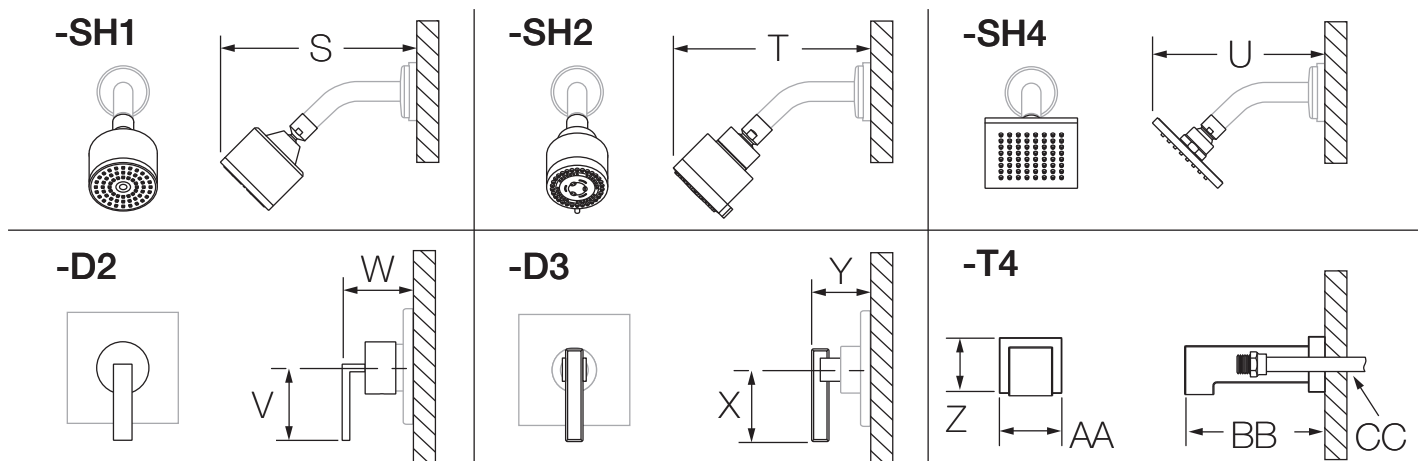
- 1.5**  1.5 gpm (5.7 L/min) flow restrictor
- 2.0** 2.0 gpm (7.6 L/min) flow restrictor
- 72** 72" hose in place of 60" hose
- ADACHS** ADA hand shower wand (chrome)
- ADAHS** ADA hand shower wand (white)
- D2**  Diverter handle
- D3**  Diverter handle
- EX** Exposed column/slide bar, hand shower bracket and hand shower wand (36EX)
- H323-V** 3 mode hand shower unit with slide bar
- H323-V-48** 3 mode hand shower unit with 48" slide bar
- H3624** 24" decorative slide/grab bar with ADA wand
- H3636** 36" decorative slide/grab bar with ADA wand
- L1** Less showerhead
- L2** Less hand shower wand
- L3** Less showerhead & hand shower wand
- QD** Quick-disconnect on hand shower units
- R** 60" white vinyl hose in place of 60" metal hose
- REB** Rebuild trim kit, includes TA-10 and TA-4
- SH1** Alternative 352SH Dia showerhead
- SH2** Alternative 352SH-3, 3 mode showerhead
- SH4** Alternative 361SH square showerhead
- SS** Slip spout on any tub/shower unit
- T4** Alternative 361TS, non-diverter square tub spout
- T724** 24" slide bar/grab bar with ADA wand
- T736** 36" slide bar/grab bar with ADA wand
- T748** 48" slide bar/grab bar with ADA wand
- VB** Elevated vacuum breaker
- VP** Vandal resistant escutcheon screws in place of standard screws
- BBZ** Brushed Bronze finish
- MB** Matte Black finish
- STN** Satin Nickel finish

Note: Append appropriate -suffix to model number.

Dimensions



Measurements	
A	Ø 2-1/2", 64 mm
B	6", 152 mm
C	6", 152 mm
D	Male 1/2-14 NPT thread must be recessed 1/4" (6 mm) from finished wall
E	Ref. 77", 1956 mm
F	3-1/2", 89 mm
G	Sq. 5", 127 mm
H	Sq. 7-1/2", 191 mm
I	Ref. 10", 254 mm
J	Ø 2-1/2", 64 mm
K	Ref. 32", 813 mm
L	Ref. 12", 305 mm
M	3-1/8", 79 mm
N	3-1/2", 89 mm
O	Rough-in 2-3/8" ± 1/2", 60 mm ± 13 mm
P	5-1/4", 133 mm
Q	7", 178 mm
R	Male 1/2-14 NPT fitting must protrude 5-1/4" (133 mm) from finished wall
S	6-3/4", 171 mm
T	6-3/4", 171 mm
U	5-5/8", 143 mm
V	3-1/8", 80 mm
W	3-5/8", 92 mm
X	3-1/8", 79 mm
Y	3-5/8", 92 mm
Z	2-1/4", 57 mm
AA	2-1/2", 64 mm
BB	5-5/8", 143 mm
CC	Male 1/2-14 NPT fitting must protrude 4-7/16" (113 mm) from finished wall



Notes:

- 1) Valve body and piping not included and shown as reference only.
- 2) Plaster shield (p/n T-176) for dry wall, plaster or other type walls 1/2" or greater.
- 3) All dimensions measured from nominal rough-in (see O as reference).
- 4) Dimensions subject to change without notice.