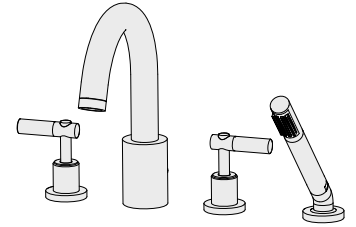


Location:

# SYMMONS® Sereno®

## Roman Tub Faucet with Handspray SRT-4372

### Specification Submittal



#### Model Numbers

- SRT-4372 Roman Tub Faucet with Handspray

#### Finish Options / Modifications

Append appropriate -suffix to model number.

- STN Satin nickel
- Polished chrome (standard finish)

#### Options / Modifications

Append appropriate -suffix to model number.

#### Feature Highlights

- Two handle Roman Tub Faucet with quarter turn ceramic control components.
- Handspray with separate push button diverter
- 1/2 rigid copper tubing connections
- Cast brass spout
- Metal construction, polished chrome finish

#### Standards / Certifications

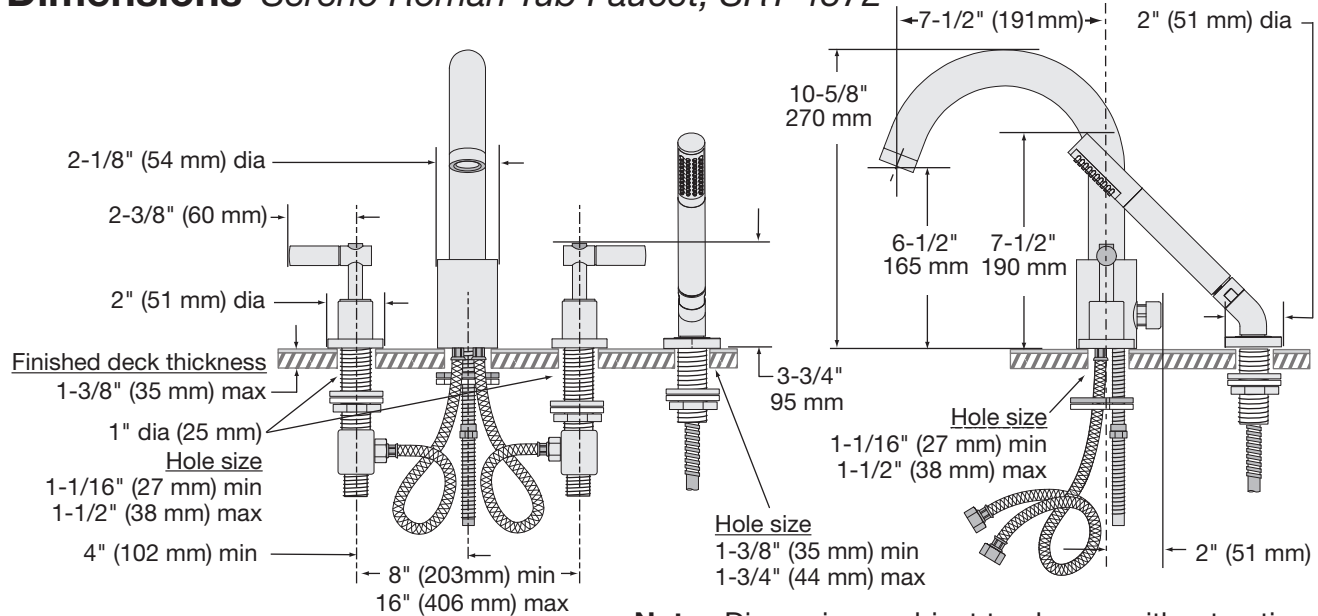
ASME A112.18.1/CSA B125.1



#### Warranty

- Limited Lifetime - to the original end purchaser in consumer installations.
- 5 years - for commercial installations

### Dimensions Sereno Roman Tub Faucet, SRT-4372



**Note:** Dimensions subject to change without notice.

Symmons Industries, Inc. ■ 31 Brooks Drive ■ Braintree, MA 02184  
 (800) 796-6667, (781) 848-2250 ■ Fax (800) 961-9621, (781) 664-1300  
 Website: symmons.com ■ Email: gethelp@symmons.com

Copyright © 2018 Symmons Industries, Inc. ■ ZV-1915 REV A ■ 121018

