

SYMMONS® Origins®

Kitchen Faucet S-248 Series

INSTALLATION, OPERATION AND SERVICE INSTRUCTIONS
Faucet meets ANSI A112.18.1M Flow rate: 2.2 gpm (8.3 L/min)

Caution: Be sure to turn off hot and cold water supplies before installing or servicing faucet.

INSTALLATION:

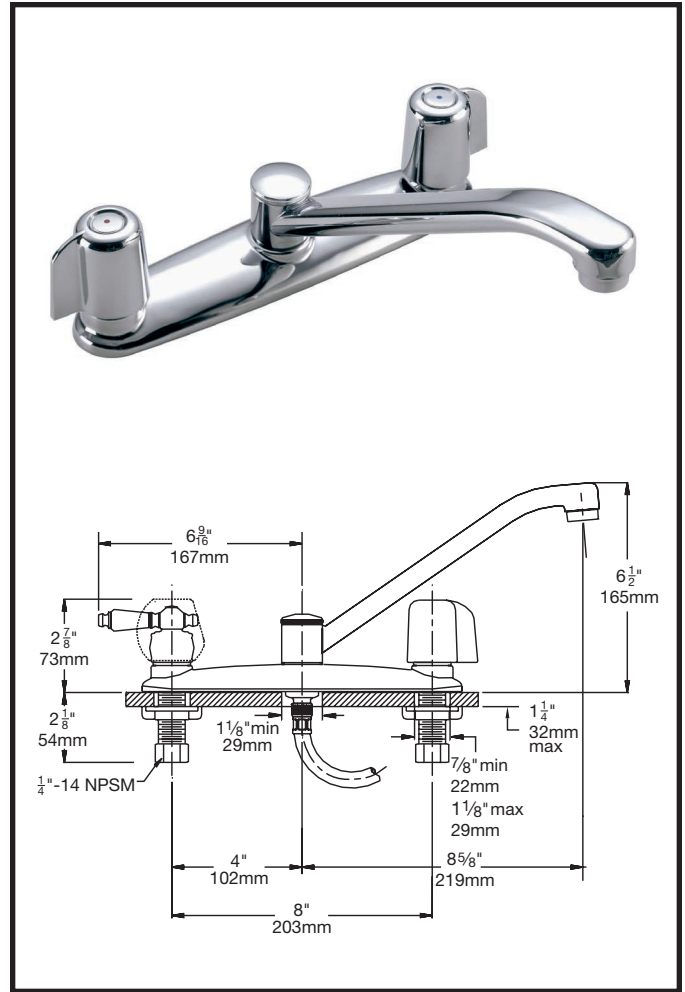
1. If installing model with hose and spray, install hose guide into hole in sink (normally the far right hole on four hole sink). From underneath sink place washer then nut over hose guide and secure to sink. Insert hose through hose guide and up through middle hole from left in sink. From above sink attach hose securely to nipple on base of faucet.
2. Align faucet to sink by matching underside arrow and word "FRONT" on base plate (KN-109) with front of sink. Push faucet supplies through holes in sink. Secure faucet to sink by tightening flange nuts (KN-116) from underside. (If sink surface is uneven use putty or sealant to make proper seal under base.)
3. Connect hot supply to left tube and cold supply to right tube using appropriate connectors.
4. **It is very important to thoroughly flush the supply lines to prevent foreign matter, i.e. copper chips, sand, stones, etc. from damaging the sealing surfaces of cartridge.** Remove aerator and turn cold valve handle on to full cold position, open cold supply. Without closing, turn hot valve handle to full hot position and open hot supply. Let water run in hot only and cold only positions long enough to flush supply lines thoroughly. If equipped with a hose and spray, direct spray head into sink and activate spray. Shut off faucet and replace aerator. Check for leaks.

To replace cartridge (KN-113 or KN-114) in faucet with standard or LCT handles:

1. Remove plug button (T-33, T-33R or T-33B), loosen philip head screw (LN-121) and remove handle (LN-140, LN-131 or LN-102).
2. Place wrench on cartridge hex nut (KN-113, KN-114). Turn wrench counter clockwise until cartridge is removed.
3. Install new cartridge. Turn cartridge with wrench until cartridge does not turn easily then turn 1/4 or 1/2 turn further. Reassemble handle in reverse fashion.

To replace cartridge (KN-113 or KN-114) in faucet with LCF, LPO or LAM handles:

1. Loosen philip oval head screw (LN-134) and remove handle (LN-152).
2. Remove collar (LN-112) by turning counter clockwise, do not use wrench as this may damage the surface finish.
3. Place wrench on cartridge hex nut. Turn wrench counter clockwise until cartridge is removed.
4. Install new cartridge. Turn cartridge with wrench until cartridge does not turn easily then 1/4 or 1/2 turn further. Reassemble handle in reverse fashion.



To replace diverter mechanism (KN-112):

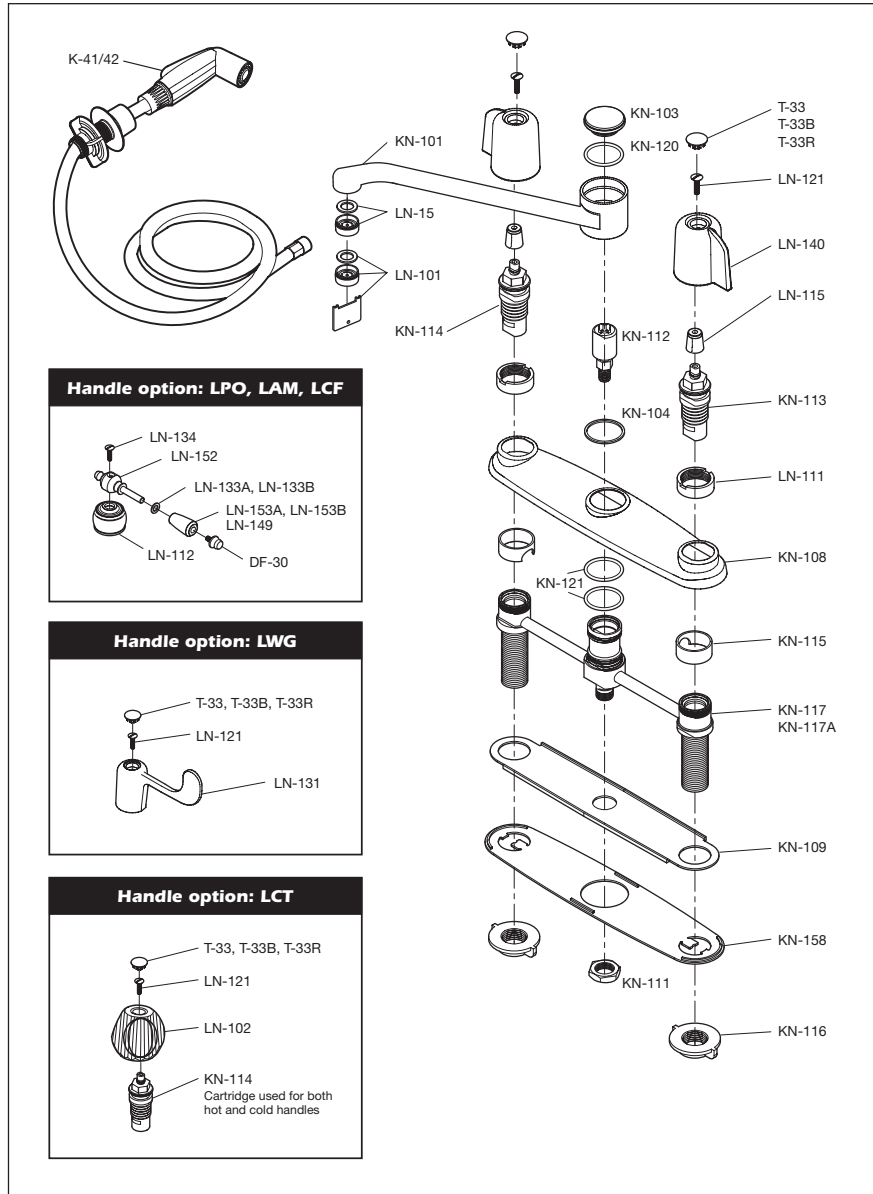
1. Unscrew and remove cap (KN-103).
2. Using a flat screwdriver remove the diverter (KN-112) by turning it counter clockwise.
3. Install the new diverter by turning the cartridge clockwise until it does not turn easily then diverter 1/4 to 1/2 turn further.
4. Grease cap o-ring (KN-120) and install on cap (KN-103). Replace cap onto faucet.

Parts Assembly Origins Lavatory Faucet, S-248 Series

- DF-30* Finial, handle
- K-41/42* Hand spray and holder
- KN-101* Spout assembly
- KN-103* Cap
- KN-104 Spacer
- KN-108* Escutcheon
- KN-109 Base plate
- KN-111 Mounting nut
- KN-112 Diverter valve
- KN-113 Valve cartridge (cold)
- KN-114 Valve cartridge (hot)
- KN-115 Spacer (2)
- KN-116 Flange nut (2)
- KN-117 Supply body assembly with diverter
- KN-117A Supply body assembly
- KN-120 O-ring
- KN-121 O-ring (2)
- KN-158 Gasket
- LN-15* Aerator
- LN-101* Aerator (vandal resistant)
- LN-102 Acrylic handle (2)
- LN-111* Lock ring (2)
- LN-112* Lever handle collar (2)
- LN-115 Bushing (2)
- LN-121 Philips pan head screw (2)
- LN-131 ADA handle (2)
- LN-153A White lever insert (2)
- LN-153B Chrome lever insert (2)
- LN-133A Temperature indicator (red)
- LN-133B Temperature indicator (blue)
- LN-134* Oval philip head screw (2)
- LN-149 Clear lever insert (2)
- LN-140 Lever handle
- LN-152* Handle lever
- T-33* Plug button, plain
- T-33B Plug button, Blue
- T-33R Plug button, Red

*For Decorative Finish Faucets add suffix to parts marked with an asterisk as follows:

Suffix STN: Satin finish



Lifetime Limited Warranty

Symmons warrants to the original consumer purchaser that any TEMPTRON® series* or ORIGINS product will be free of defects in material and workmanship during normal domestic use for the life of your home. All other products and purchasers including industrial, commercial or business use are warranted for a period of 5 years from the date of purchase. At our option, we will either have you send the defective part or product prepaid to us for inspection, or we may elect to send you the replacement part or product without investigation. A replacement for any defective part will be supplied FREE OF CHARGE for installation by the purchaser. Defect or damage caused by the use of replacement parts other than Symmons Genuine Replacement Parts will void this warranty. This warranty excludes product damage due to installation error, product abuse, or product misuse whether performed by a contractor, service company or yourself. Symmons further warrants that any TEMPTRON or SYMMETRIX product will be leak free and drip free during normal domestic use for the life of your home. If the product should develop a leak or drip, Symmons will provide FREE OF CHARGE the parts necessary to return it to good working condition. Proof of purchase (original sales receipt) and a copy of the warranty registration card from the original consumer purchaser must accompany all warranty claims. This warranty is applicable only to Symmons TEMPTRON or SYMMETRIX products purchased after July 1, 1998 and shall be effective from the date of purchase as shown on the purchaser's receipt. Damage to the chrome and/or other decorative finishes on Symmons products may be a result of improper handling or abusive treatment. Finishes should only be cleaned with a soft, damp cloth or sponge. Use of polish, abrasive cleaners, solvents, or acid cleaners will damage the finish and void this warranty. There are no other express warranties on this product and ALL WARRANTIES OF MERCHANTABILITY AND OTHER IMPLIED WARRANTIES ARE LIMITED IN ACCORDANCE WITH APPLICABLE LAW. SYMMONS INDUSTRIES, INC., EXPRESSLY DISCLAIMS CONTINGENT LIABILITY AND CONSEQUENTIAL DAMAGE OF EVERY KIND. Since some states do not allow limitations on how long an implied warranty lasts or an exclusion or limitation of incidental or consequential damages the above limitation or exclusion may not be applicable. This warranty gives specific legal rights. Other rights may vary from state to state. To obtain warranty service, write to Symmons Industries, Inc., 31 Brooks Drive, Braintree, MA 02184-3804 or call our Customer Service Department at 1-800-SYMMONS. If writing to us, please include proof of purchase, the model number of the product with a brief description of the problem, your name, address and phone number. *Temptral series includes Akura®, Clide Braintree Brass®, Temptral, Temptral Deluxe and Temptral II shower and tub/shower systems. Symmons warrants to the original consumer purchaser that any TEMPTRON® series* or SYMMETRIX® product will be free of defects in material and

workmanship during normal domestic use for the life of your home. All other products and purchasers including industrial, commercial or business use are warranted for a period of 5 years from the date of purchase. At our option, we will either have you send the defective part or product prepaid to us for inspection, or we may elect to send you the replacement part or product without investigation. A replacement for any defective part will be supplied FREE OF CHARGE for installation by the purchaser. Defect or damage caused by the use of replacement parts other than Symmons Genuine Replacement Parts will void this warranty. This warranty excludes product damage due to installation error, product abuse, or product misuse whether performed by a contractor, service company or yourself. Symmons further warrants that any TEMPTRON or SYMMETRIX product will be leak free and drip free during normal domestic use for the life of your home. If the product should develop a leak or drip, Symmons will provide FREE OF CHARGE the parts necessary to return it to good working condition. Proof of purchase (original sales receipt) and a copy of the warranty registration card from the original consumer purchaser must accompany all warranty claims. This warranty is applicable only to Symmons TEMPTRON or SYMMETRIX products purchased after July 1, 1998 and shall be effective from the date of purchase as shown on the purchaser's receipt. Damage to the chrome and/or other decorative finishes on Symmons products may be a result of improper handling or abusive treatment. Finishes should only be cleaned with a soft, damp cloth or sponge. Use of polish, abrasive cleaners, solvents, or acid cleaners will damage the finish and void this warranty. There are no other express warranties on this product and ALL WARRANTIES OF MERCHANTABILITY AND OTHER IMPLIED WARRANTIES ARE LIMITED IN ACCORDANCE WITH APPLICABLE LAW. SYMMONS INDUSTRIES, INC., EXPRESSLY DISCLAIMS CONTINGENT LIABILITY AND CONSEQUENTIAL DAMAGE OF EVERY KIND. Since some states do not allow limitations on how long an implied warranty lasts or an exclusion or limitation of incidental or consequential damages the above limitation or exclusion may not be applicable. This warranty gives specific legal rights. Other rights may vary from state to state. To obtain warranty service, write to Symmons Industries, Inc., 31 Brooks Drive, Braintree, MA 02184-3804 or call our Customer Service Department at 1-800-SYMMONS. If writing to us, please include proof of purchase, the model number of the product with a brief description of the problem, your name, address and phone number. *Temptral series includes Akura®, Clide Braintree Brass®, Temptral, Temptral Deluxe and Temptral II shower and tub/shower systems.

Symmons Industries, Inc. ■ 31 Brooks Drive ■ Braintree, MA 02184
 Phone: (800) 796-6667 ■ Fax: (800) 961-9621
 Website: symmons.com ■ Email: gethelp@symmons.com

Copyright © 2017 Symmons Industries, Inc. ■ ZV-350 REV A ■ 040617

