



Roman Tub Faucet SRT-4172 Installation and Service Instructions



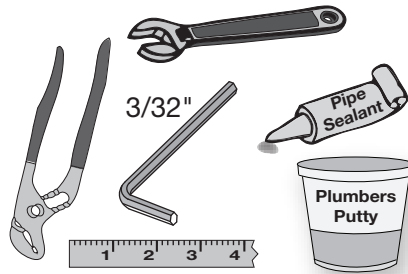
Model Numbers

SRT-4172 Faucet with handspray

Alternate Finish Options

- STN Satin nickel
- PNL Polished nickel finish
- Chrome (standard)

Tools & Materials



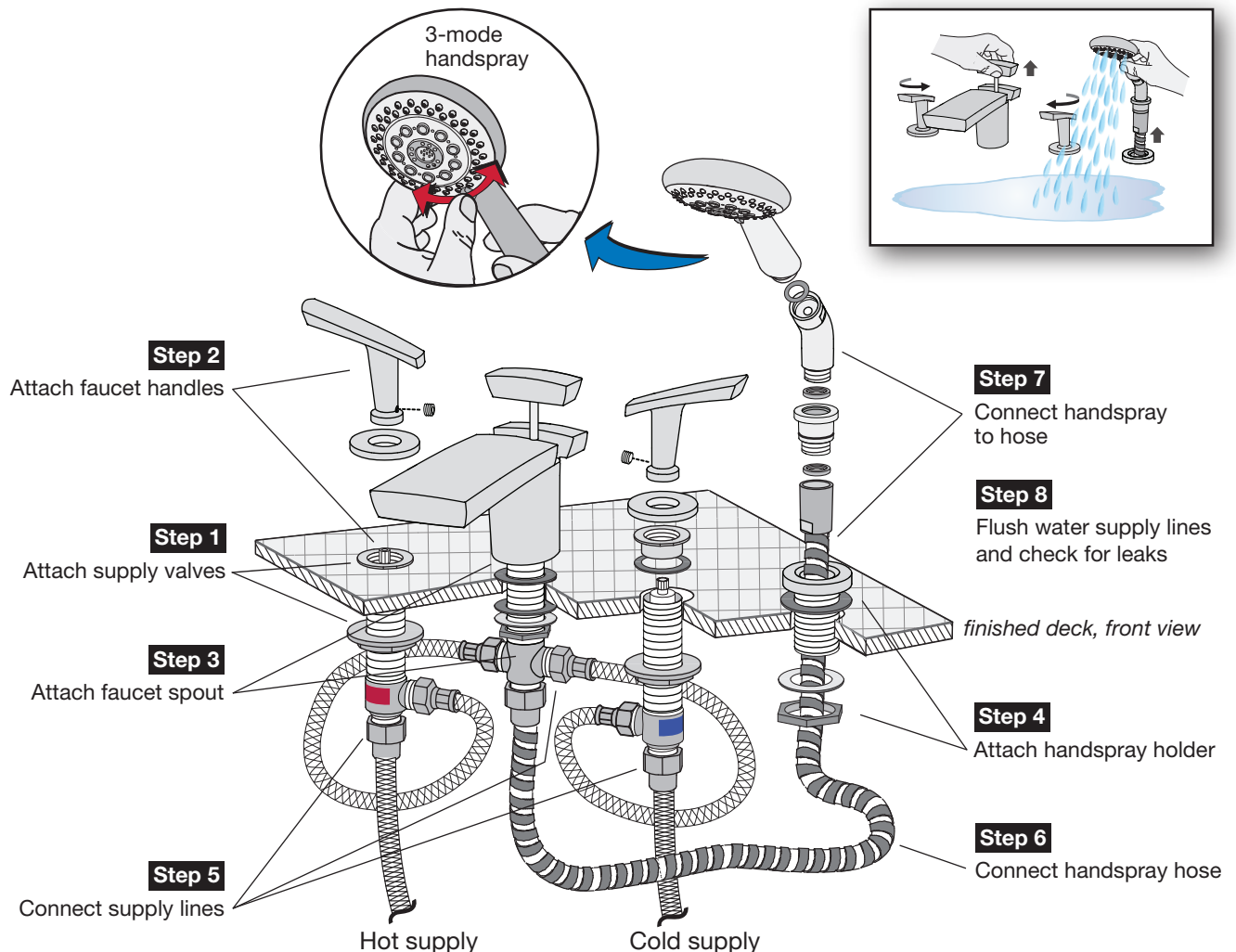
Need Help?

Symmons customer service:
Phone: (800) 796-6667
Email: gethelp@symmons.com
Monday - Friday 7:30 am - 6:00 pm EST
www.symmons.com/service

Compliance

ASME A112.18.1/CSA B125.1

Quick Install Guide Naru Roman Tub Faucet, SRT-4172

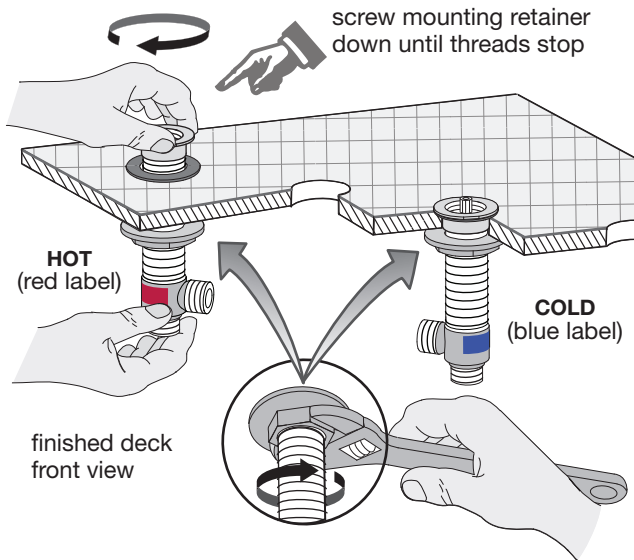


WARNING: This product can expose you to chemicals including lead, which is known to the state of California to cause cancer, birth defects, or other reproductive harm. For more information, go to www.P65Warnings.ca.gov.

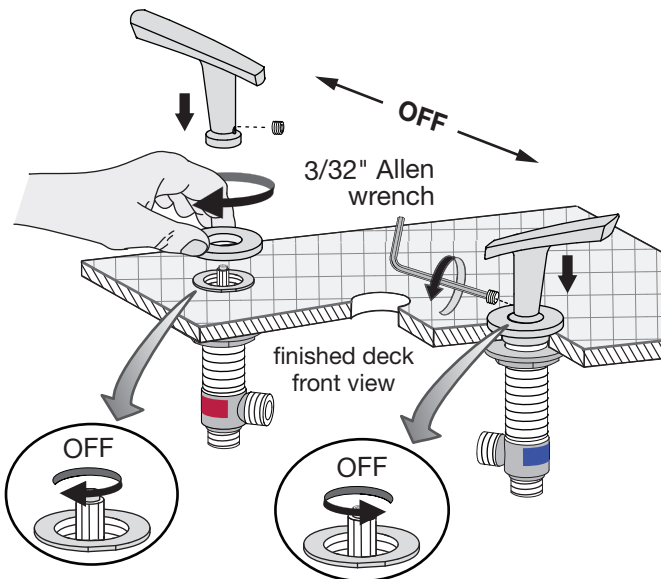
Installation Instructions

Caution: If replacing an older faucet ensure water supply is turned OFF before removing and then turn faucet handles ON to relieve water pressure.

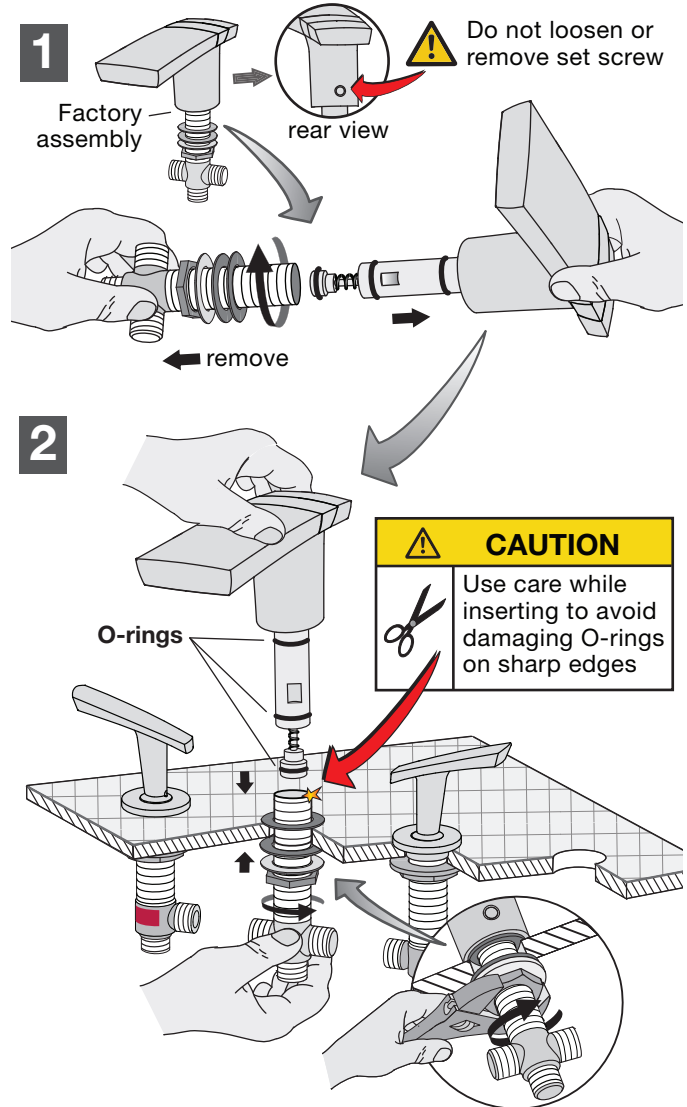
Step 1 Attach supply valves to the deck



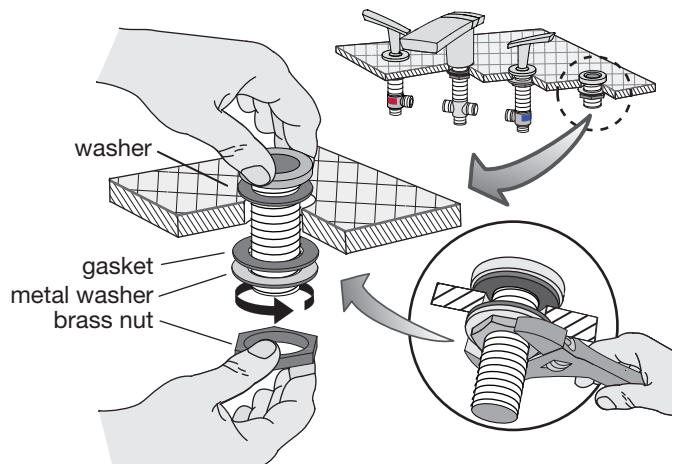
Step 2 Attach faucet handles



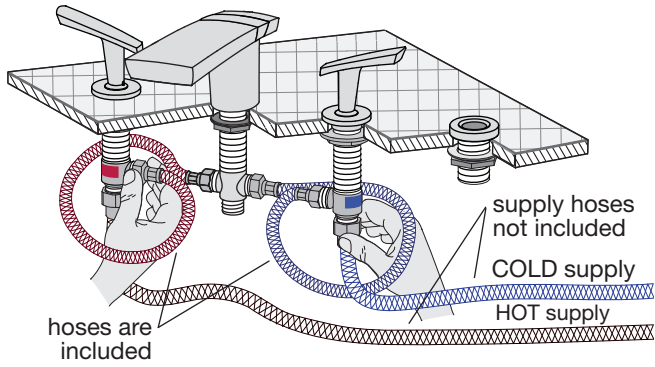
Step 3 Attach spout



Step 4 Attach handspray holder

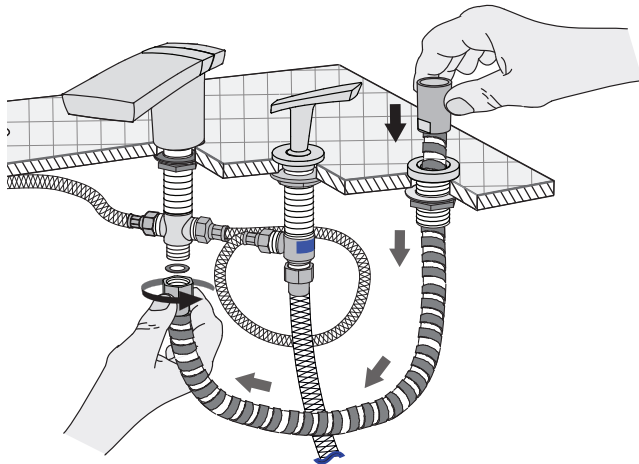


Step 5 Connect Supply lines

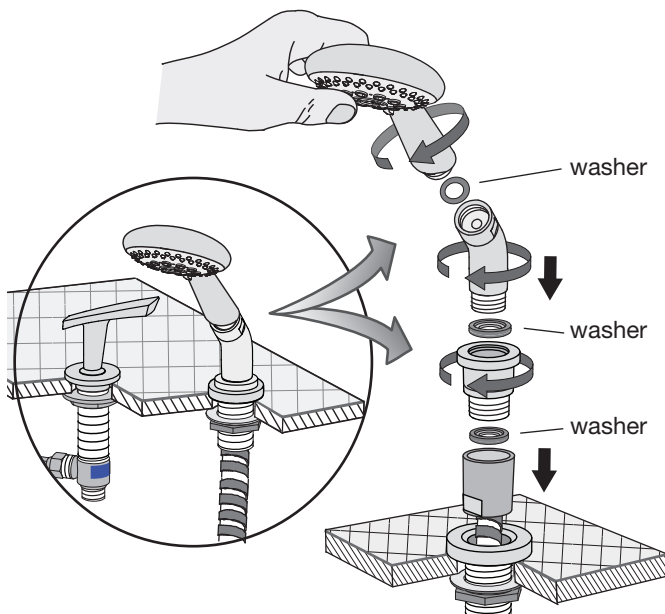


Important: Flush supply lines clean before attaching to control valves.

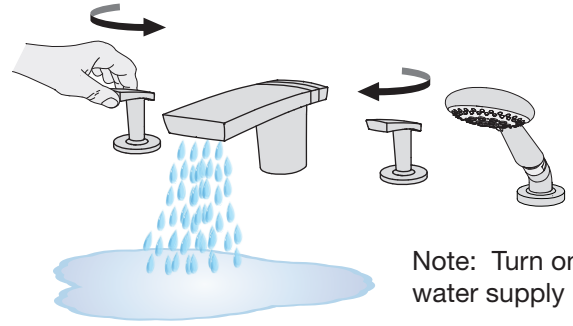
Step 6 Connect handspray hose



Step 7 Connect handspray to hose



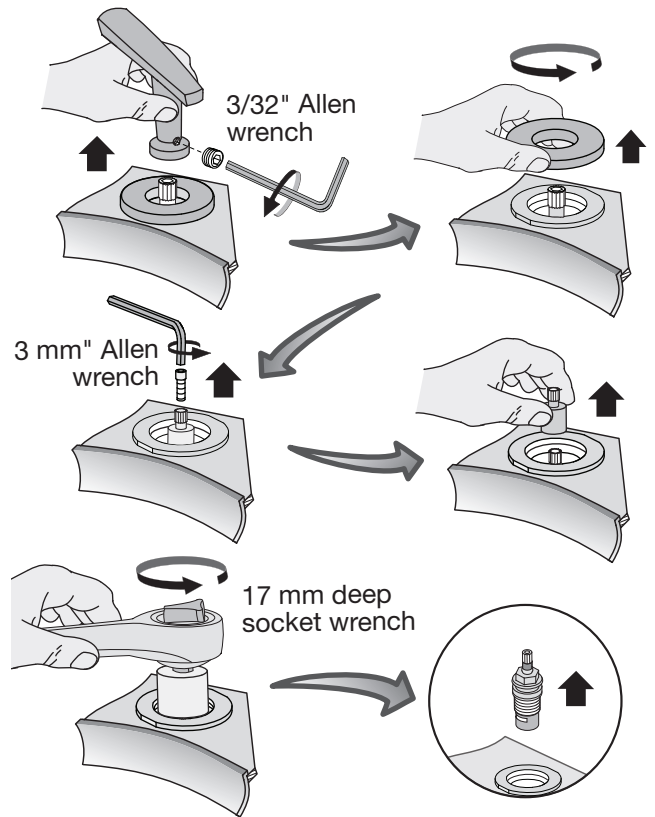
Step 8 Run faucet and check for leaks



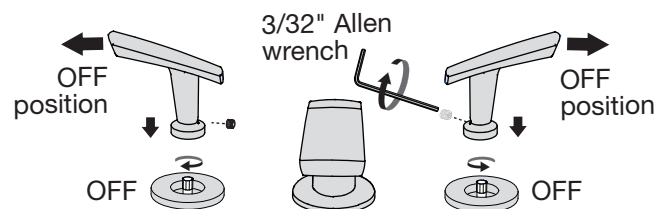
Care of faucet finish

Clean finish area by using mild soap and water or non-abrasive cleaner and then rinse immediately. A non-abrasive wax may be used to preserve finish area.

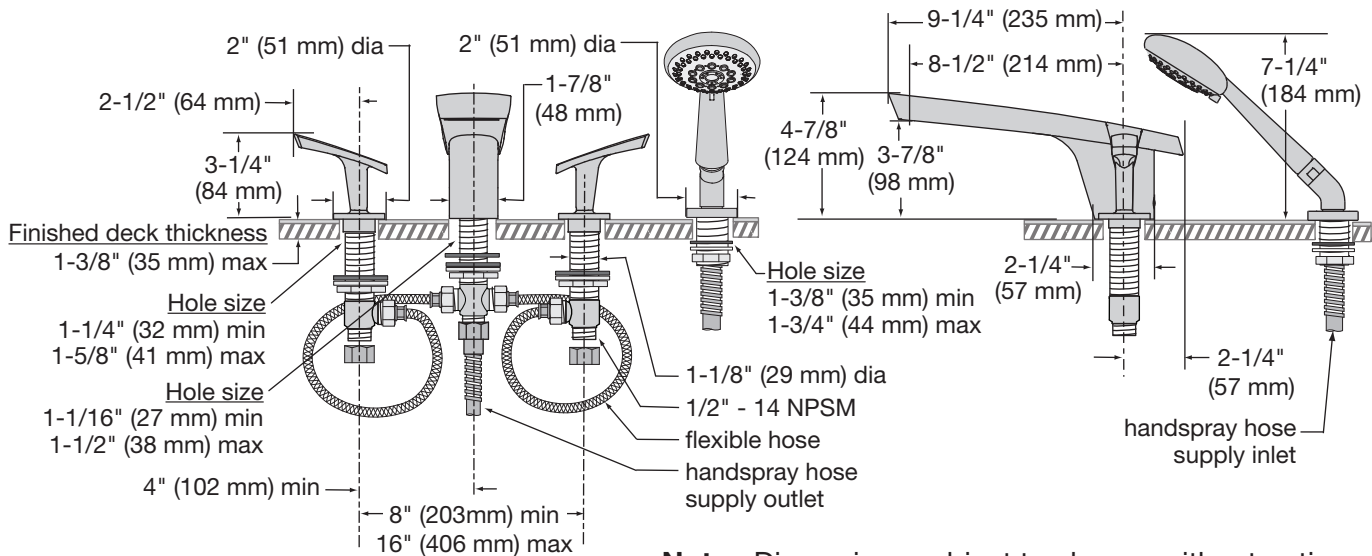
Valve cartridge replacement



Attaching handles

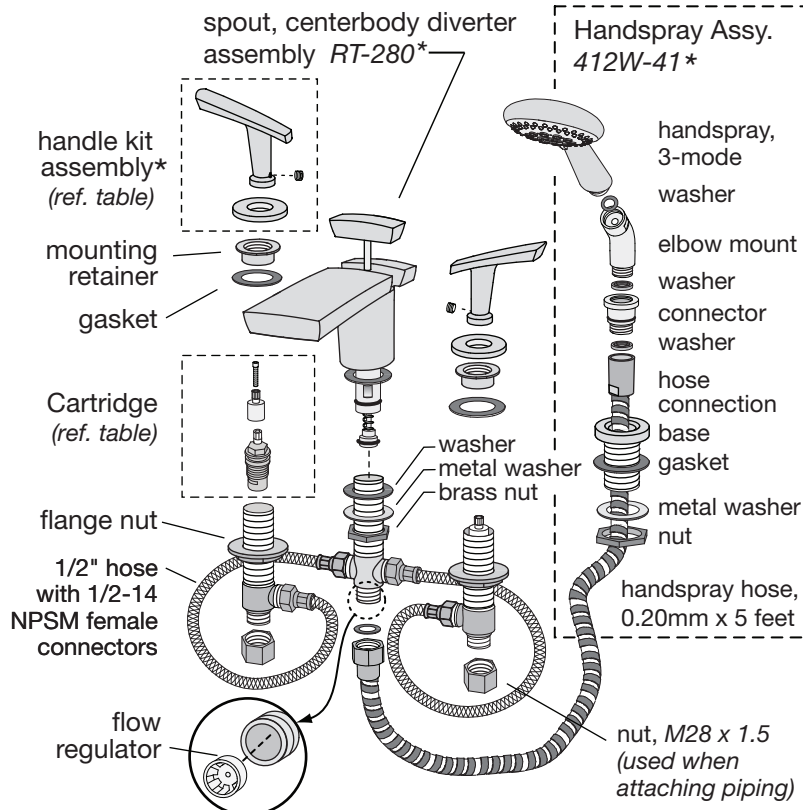


Dimensions Naru Roman Tub Faucet, SRT-4172



Note: Dimensions subject to change without notice

Parts Assembly Naru Roman Tub Faucet, SRT-4172



Replacement Parts	
Part Number	Item
RT-273-KIT* handle Assy. 1 ea. / kit	handle (1) screw collar
(1) Note: screw requires 3/32" Allen wrench	
KN-114-EXT-KIT (Hot cartridge kit)	(2) screw extension
KN-113-EXT-KIT (Cold cartridge kit)	KN-113 identified by groove
	Hot, KN-114 (OFF=CW) Cold, KN-113 (ON=CCW)
(2) Note: screw requires 3mm Allen wrench	

Ordering replacement parts:

Call Symmons customer service at (800) 796-6667, M-F 7:30 am - 6:00 pm EST or check our website at www.symmons.com for a list of Symmons distributors.

Note: For decorative finish faucets add three letter finish suffix code to parts marked with an asterisk*.

Symmons Industries, Inc. ■ 31 Brooks Drive ■ Braintree, MA 02184
Phone: (800) 796-6667 ■ Fax: (800) 961-9621
Website: symmons.com ■ Email: gethelp@symmons.com

Copyright © 2018 Symmons Industries, Inc. ■ ZV-590 REV C ■ 121018

SYMMONS[®]
the smart choice™