



Ensemble™

60" x 30" Shower Receptor

72171120



Features

- 4" threshold
- Solid Vikrell material
- Durable high-gloss finish with molded-in textured floor
- Right drain
- Suitable for tile-down application
- Compatible with Ensemble walls (series 7217)



Codes/Standards



CSA B45.5/IAPMO Z124
ASTM E162
Greenguard UL 2818 - Gold
HUD, UM Bulletin 73

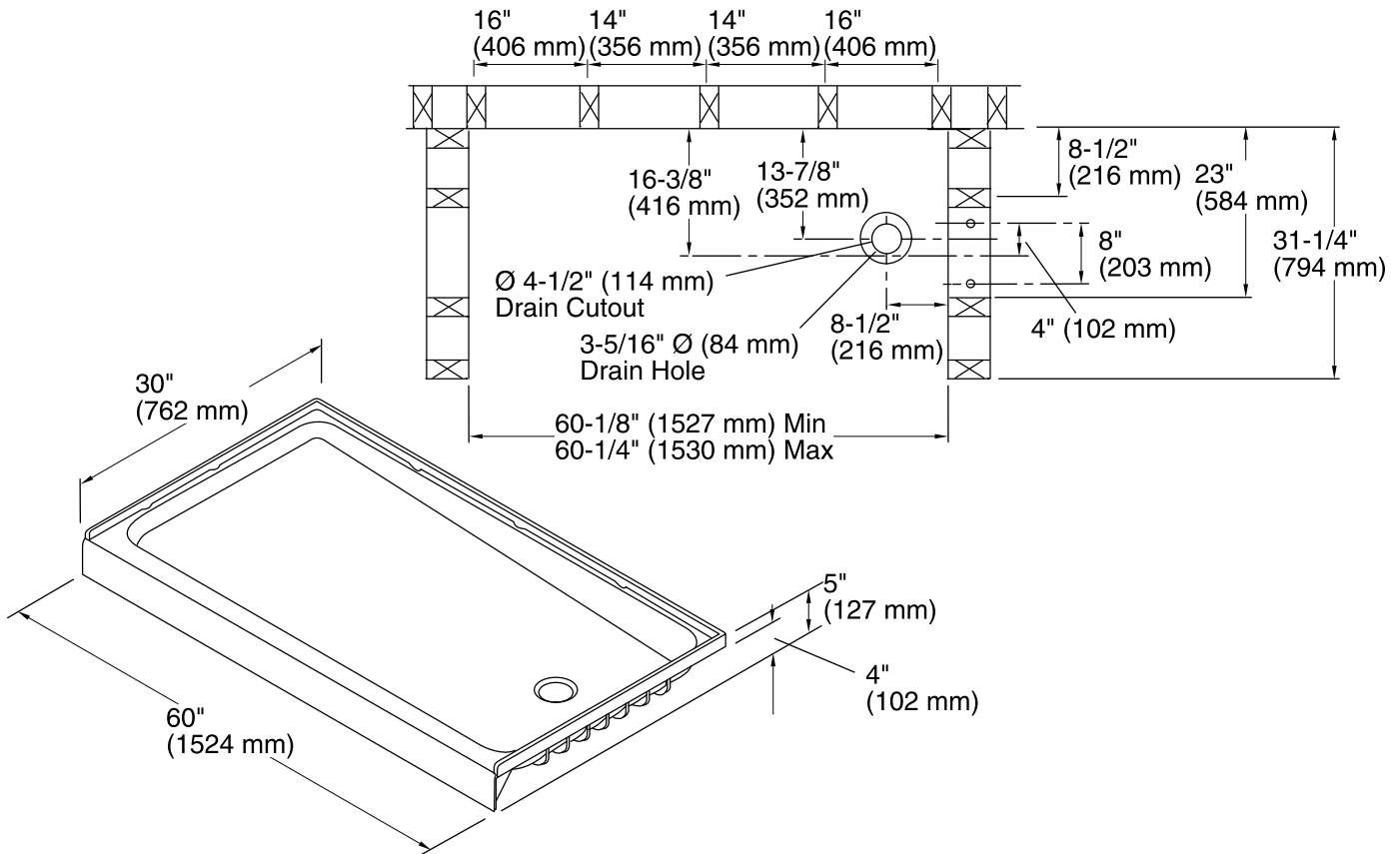
Warranty – Bathing Fixtures (and) Kitchen and Utility Sinks Made of Solid Vikrell® Material

See website for detailed warranty information.

Available Colors/Finishes

Color tiles intended for reference only.

| Color | Code | Description |
|--|------|----------------|
|  | 0 | White |
|  | 96 | KOHLER Biscuit |



Technical Information

All product dimensions are nominal.

Installation: Three-wall alcove

Drain location: Right

Weight: 38 lbs (17.2 kg)

Notes

Install this product according to the installation instructions.

Studs should be positioned roughly as shown.

Double studding is recommended for pivot shower door installations.