



# OC-SS-39

## 39" Shower w/Backer Boards

### 62050106



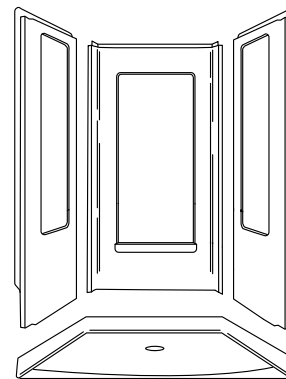
#### Features

- Alcove installation
- 1/2" threshold
- Solid Vikrell material
- Durable swirl-gloss finish
- Center drain
- Three-piece, tongue-and-groove walls with snap-together installation
- Caulk required
- Aging in Place backerboards
- Will comply with ICC ANSI A117.1 Standards section 1004.11.3.1.3.3 and the Fair Housing Act Accessibility Guidelines when installed per Requirement 6 (Reinforced walls for grab bars) of the Accessibility Guidelines. This applies to type A and B multifamily dwellings.

#### Included Components

Product consists of:

- 62055106 39" Shower End Wall Set w/Backer Boards
- 62051100 39" Shower Base
- 62052106 39" Shower Back Wall w/Backer Boards



#### Codes/Standards



- CSA B45.5/IAPMO Z124
- ASTM E162
- ASTM E662
- Greenguard UL 2818 - Gold
- HUD, UM Bulletin 73

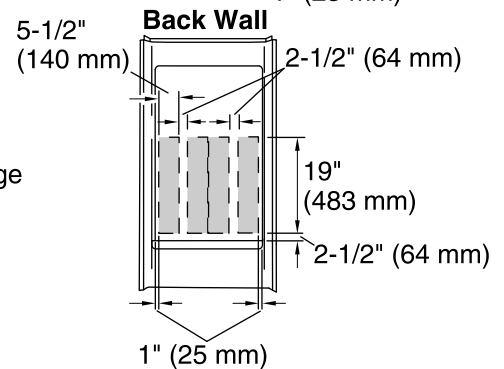
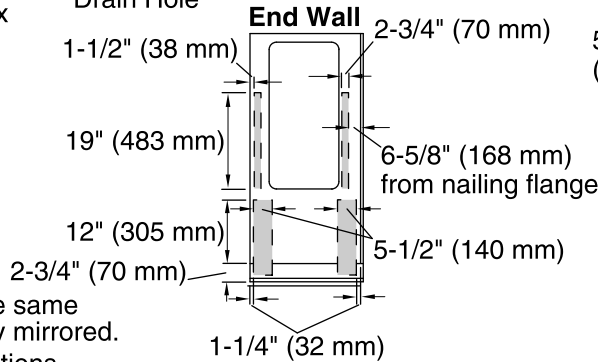
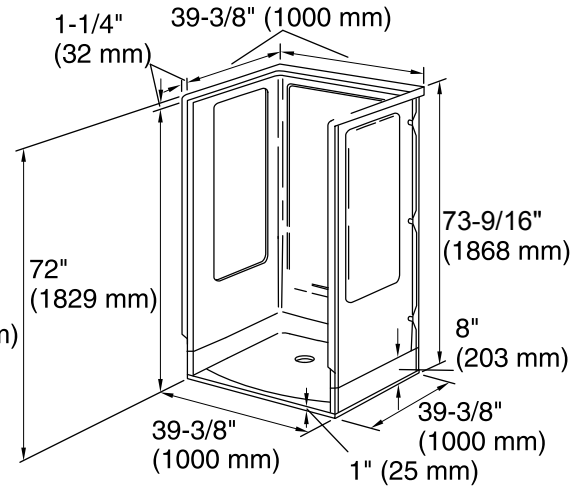
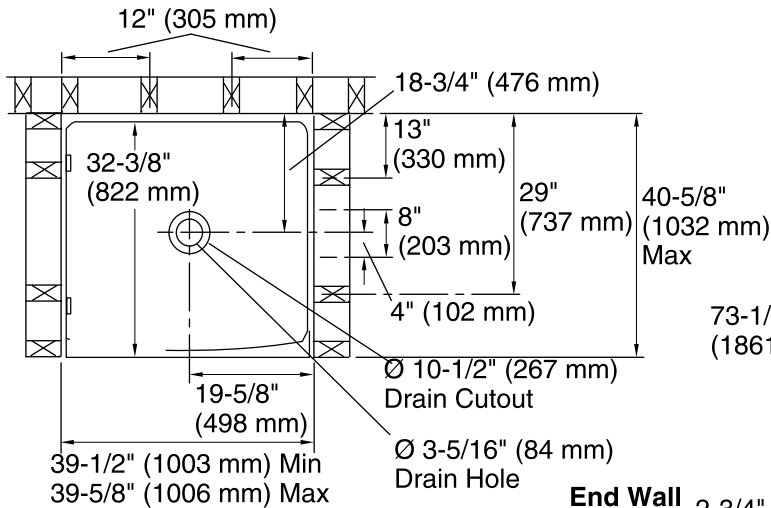
#### Warranty – Bathing Fixtures (and) Kitchen and Utility Sinks Made of Solid Vikrell® Material

See website for detailed warranty information.


#### Available Colors/Finishes

*Color tiles intended for reference only.*

Color	Code	Description
	0	White
	96	KOHLER Biscuit



**Note:** Right end wall is the same as left end wall, only mirrored.

 Backer board locations

### Technical Information

All product dimensions are nominal.

Installation: Three-wall alcove

Drain location: Center

Minimum flat for door: 3-1/8" (80 mm)

Threshold height: 1/2" (13 mm)

### Notes

Install this product according to the installation instructions.

Backerboards and fasteners protrude beyond the back wall 1-1/2" (38 mm). If installing this product against wall board, 1-1/2" (38 mm) furring strips installed over the wall board are recommended. The stud pocket depth of 40-5/8" (1032 mm) will need to be increased by the combined thickness of the wall board and furring strips.

1/2" minimum finished floor thickness required.

Studs should be positioned as shown.

Attach grab bars at the specified backerboard locations only.

Drain cutout in subfloor to be 10-1/2" (267 mm) per rough-in illustration as shown to allow the backside of the drain to sit below the subfloor surface.