

Cabinet for Thermostatic Mixing Valve

MODELS:

- STW-SC1: Cabinet for STW-370
- STW-SC2: Cabinet for STW-362
- STW-SC3: Cabinet for STW-350

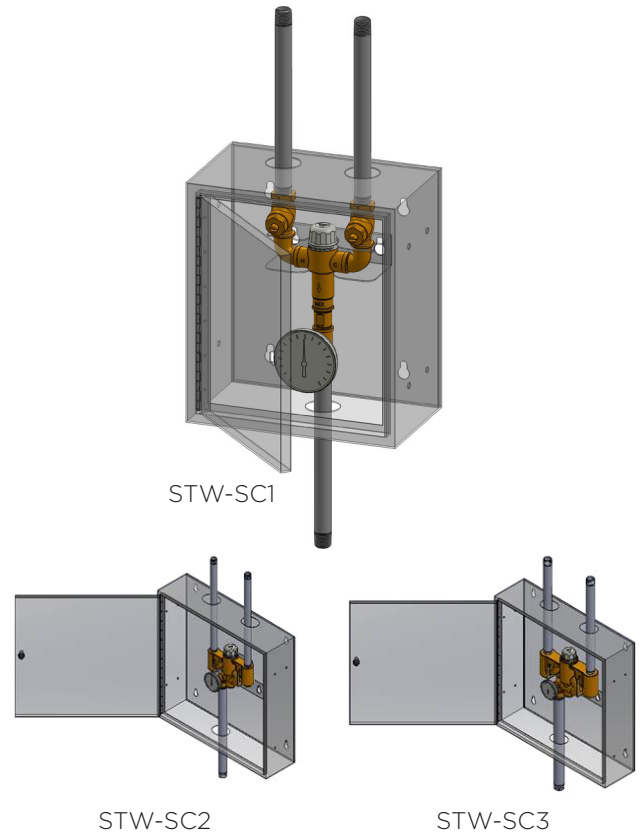
FEATURES:

- 304 Stainless Steel for corrosion resistance
- Flush or surface mountable
- Included mounting bracket for mixing valve and flush mount trim frame

WARRANTY:

Visit www.speakman.com for full product warranty information

- 3 Year Limited Warranty (commercial)



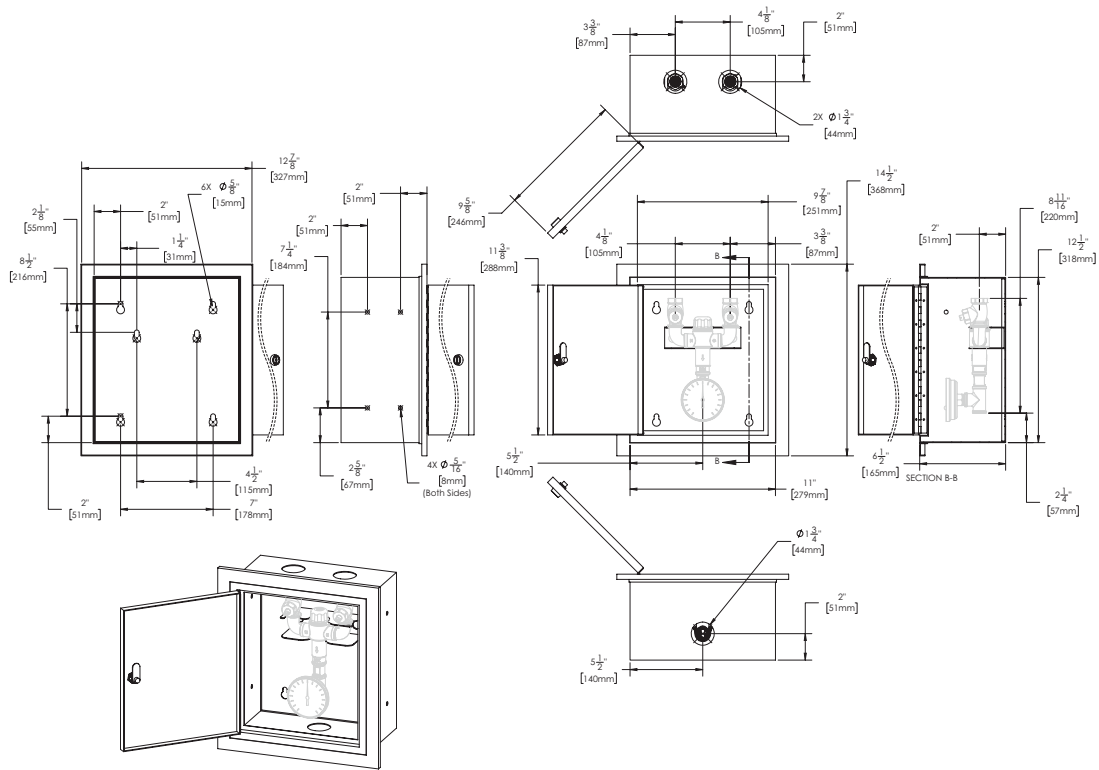
Valve and pipes not included. Shown for reference only.

Information continues on next page

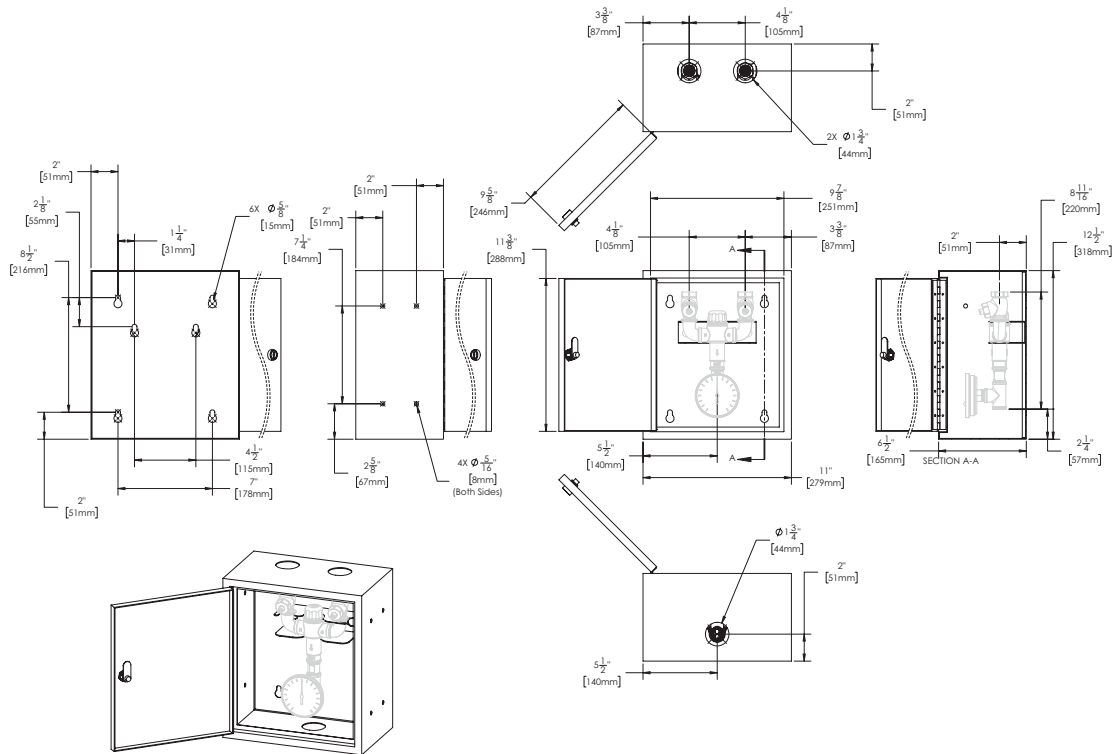
1. All dimensions are in inches (millimeters) unless otherwise specified and are subject to change without notice.

Cabinet for Thermostatic Mixing Valve

STW-SC1 RECESSED MOUNT ROUGH-IN DIAGRAM



STW-SC1 SURFACE MOUNT ROUGH-IN DIAGRAM



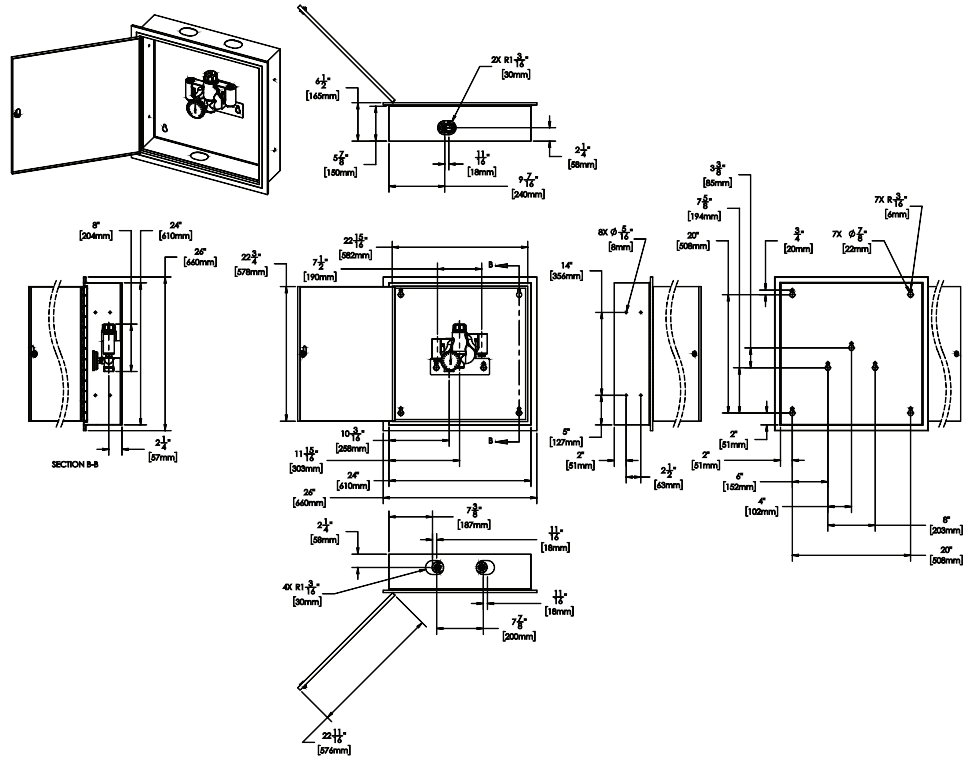
1. All dimensions are in inches (millimeters) unless otherwise specified and are subject to change without notice. 2. Valve not included. Valve shown for reference only.

Architect/Engineer Approval Space:

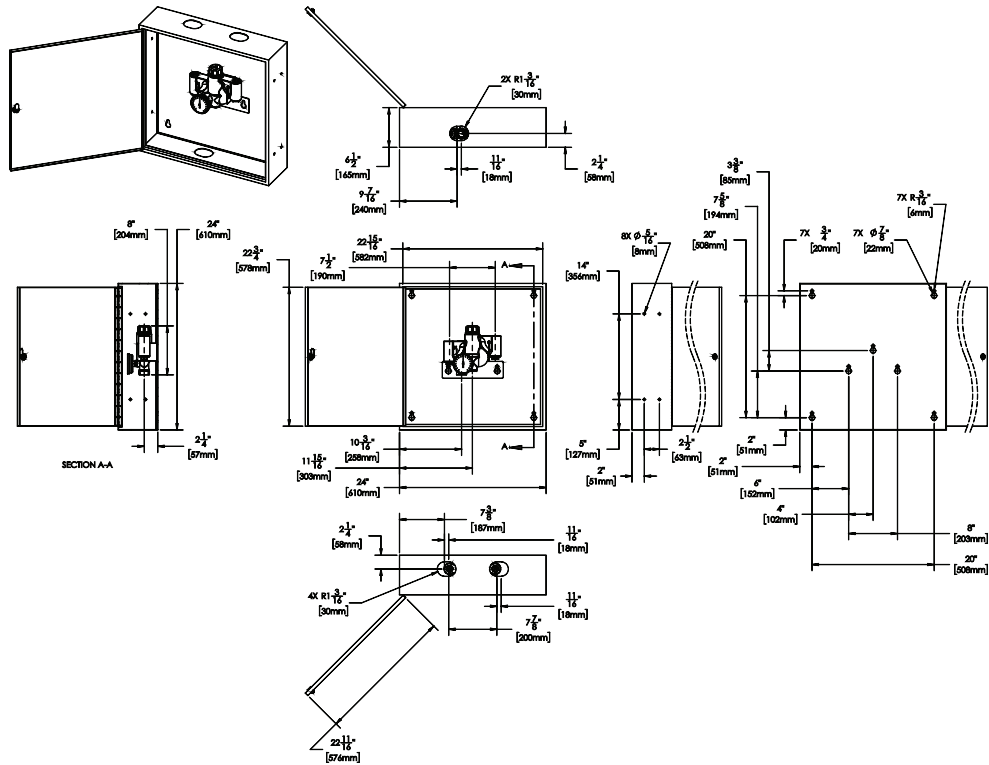
P: 800-537-2107
 F: 800-977-2747
 W: WWW.SPEAKMAN.COM
 R: 02-NOVEMBER 2019

Cabinet for Thermostatic Mixing Valve

STW-SC2 RECESSED MOUNT ROUGH-IN DIAGRAM



STW-SC2 SURFACE MOUNT ROUGH-IN DIAGRAM



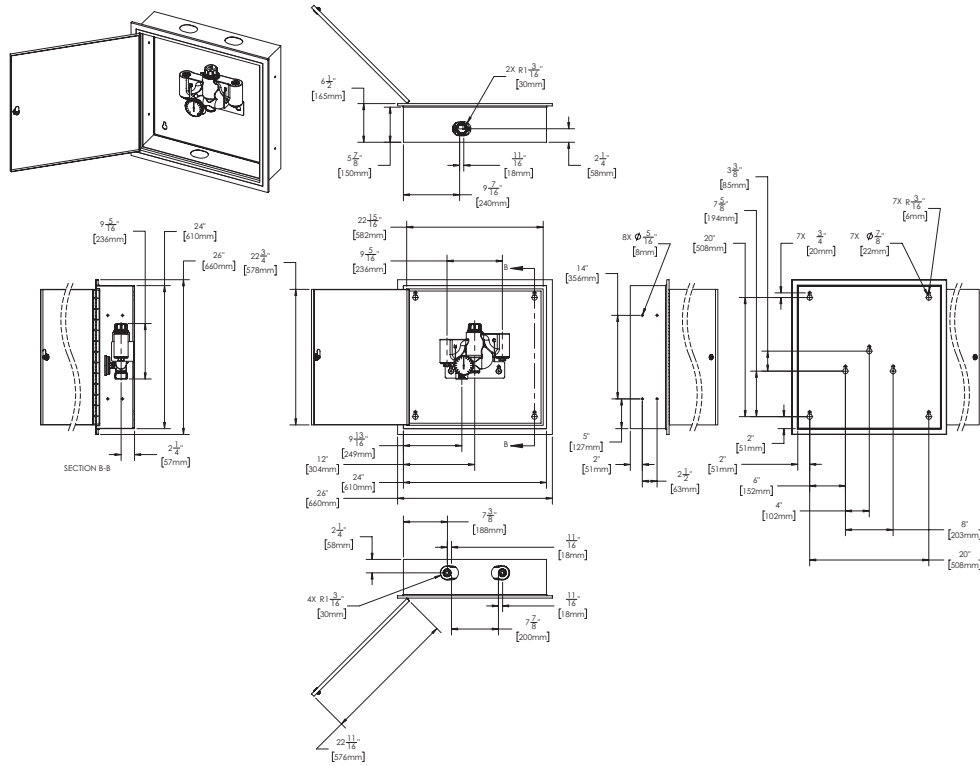
1. All dimensions are in inches (millimeters) unless otherwise specified and are subject to change without notice. 2. Valve not included. Valve shown for reference only.

Architect/Engineer Approval Space:

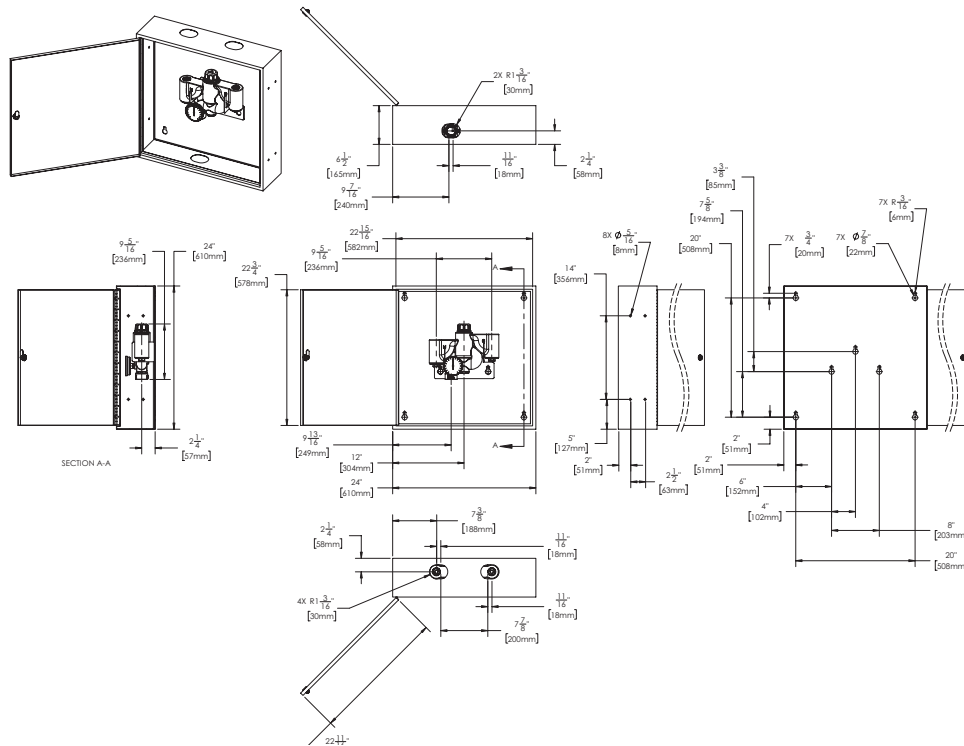
P: 800-537-2107
 F: 800-977-2747
 W: WWW.SPEAKMAN.COM
 R: 02-NOVEMBER 2019

Cabinet for Thermostatic Mixing Valve

STW-SC3 RECESSED MOUNT ROUGH-IN DIAGRAM



STW-SC3 SURFACE MOUNT ROUGH-IN DIAGRAM



1. All dimensions are in inches (millimeters) unless otherwise specified and are subject to change without notice. 2. Valve not included. Valve shown for reference only.

Architect/Engineer Approval Space:

P: 800-537-2107
 F: 800-977-2747
 W: WWW.SPEAKMAN.COM
 R: 02-NOVEMBER 2019