

**CODE NUMBER**

3873865

**DESCRIPTION**

Vitreous China Wall-Mounted Lavatory.

**DETAILS**

- Centerset: 8"
- Nominal Dimensions: 20 ½" × 21 ½" × 5 ¾" (521 × 546 × 146mm)

**FEATURES**

- White, vitreous china wall hung lavatory with rear overflow;
- Great complement to all of Sloan's sensor faucet series;
- IAPMO certified to meet or exceed ASME A112.19.2 standards;
- Meets ADA guidelines and ANSI A117.1 requirements when installed accordingly

**OPTIONAL CERAMIC SHROUD**

- White vitreous china
- 7¾" × 10 ½" × 9¾" (197 mm x 267 mm x 248 mm)
- Mounting hardware included
- Must be specified separately Model SS-27, code 387678

**DOWNLOADS**

- [SS-3X65 Installation Instructions](#)
- [Vitreous China Lavatories Repair and Maintenance Guide](#)
- [Additional Downloads](#)

**ROUGH-IN**

Shown with optional SS-27-A shroud

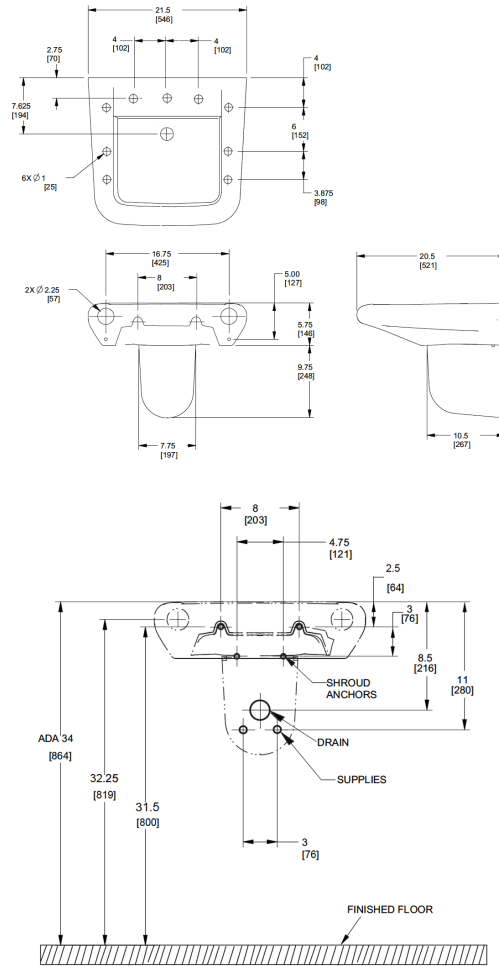
**COMPLIANCES & CERTIFICATIONS**

(ADA Compliant, cUPC Certified)

**NOTES**

All information contained within this document subject to change without notice.

All vitreous china dimensions shown in these drawings are nominal and not to scale. Dimensions can vary within the tolerances established in the governing ASME A112.19.2/CSA B45.1 standard. It is important to consider this when planning rough-in and plumbing layouts.



Sloan 10500 Seymour Ave, Franklin Park, IL 60131  
Phone: 800.982.5839 • Fax: 800.447.8329 • [sloan.com](http://sloan.com)