

CODE NUMBER

3325465

DESCRIPTION

1.6/3.5 gpf, Polished Chrome Finish, Single Flush, Less Handle Body Handle, Battery, G2 Exposed Sensor Water Closet Retrofit Flushometer.

DETAILS

- Flush Volume: 1.6/3.5 gpf (6.0/13.2 Lpf)
- Finish: Polished Chrome (CP)
- Power Type: Battery
- Battery Life: 6 years
- Valve: Diaphragm
- Valve Body Material: Semi-red Brass
- Fixture Type: Water Closet
- Fixture Connection: Top spud
- Handle: Less Handle Body (LH)

FEATURES

Quiet, Exposed, OPTIMA Plus®, Battery Powered, Sensor Operated Closet Flushometer Retrofit Conversion Kit for Sloan Royal®, Sloan® and Regal® Flushometers with the following features:

- Initial Set-up Range Indicator Light (first 10 minutes)
- User friendly three (3) second Flush Delay
- “Low Battery” Flashing LED
- Installation Tools provided
- Infrared Sensor with Multiple-focused, Lobular Sensing Fields for high and low target detection
- Latching Solenoid Operator
- Flex Tube Diaphragm designed for improved life and reduced maintenance
- Engineered Metal Cover with replaceable Lens Window
- Chrome Plated Metal Handle Cap
- Diaphragm to be molded from PERMEX™ Rubber Compound for Chloramine resistance
- ADA Compliant Battery Powered Infrared Sensor for automatic “Hands-free” operation
- Courtesy Flush® Override Button
- Four (4) Size AA Batteries included



COMPLIANCES & CERTIFICATIONS



(ADA Compliant, BAA Compliant)

RECOMMENDED SPECIFICATION

Valve Body, Cover, Tailpiece and Control Stop shall be in conformance with ASTM Alloy Classification for Semi- Red Brass. Valve shall be in compliance with the applicable sections of ASSE 1037 and ANSI/ASME 112.19.2.

ELECTRICAL SPECIFICATIONS

- Battery Life: 6 years

VALVE OPERATING PRESSURE (FLOWING)

15–80 PSI (103–552 kPa). Specific fixtures may require greater minimum flowing pressure - consult manufacturer requirements.

DOWNLOADS

- [Optima Plus Valve Installation Instructions](#)
- [Control Stop Repair and Maintenance Guide](#)
- [Flush Connections Flanges Repair and Maintenance Guide](#)
- [Tail Piece Repair and Maintenance Guide](#)
- [Sloan Optima Plus Repair and Maintenance Guide](#)
- [Additional Downloads](#)

NOTES

All information contained within this document subject to change without notice.

Looking for other variations of the G2 RESS-C product? [View the general spec sheet with all options.](#)

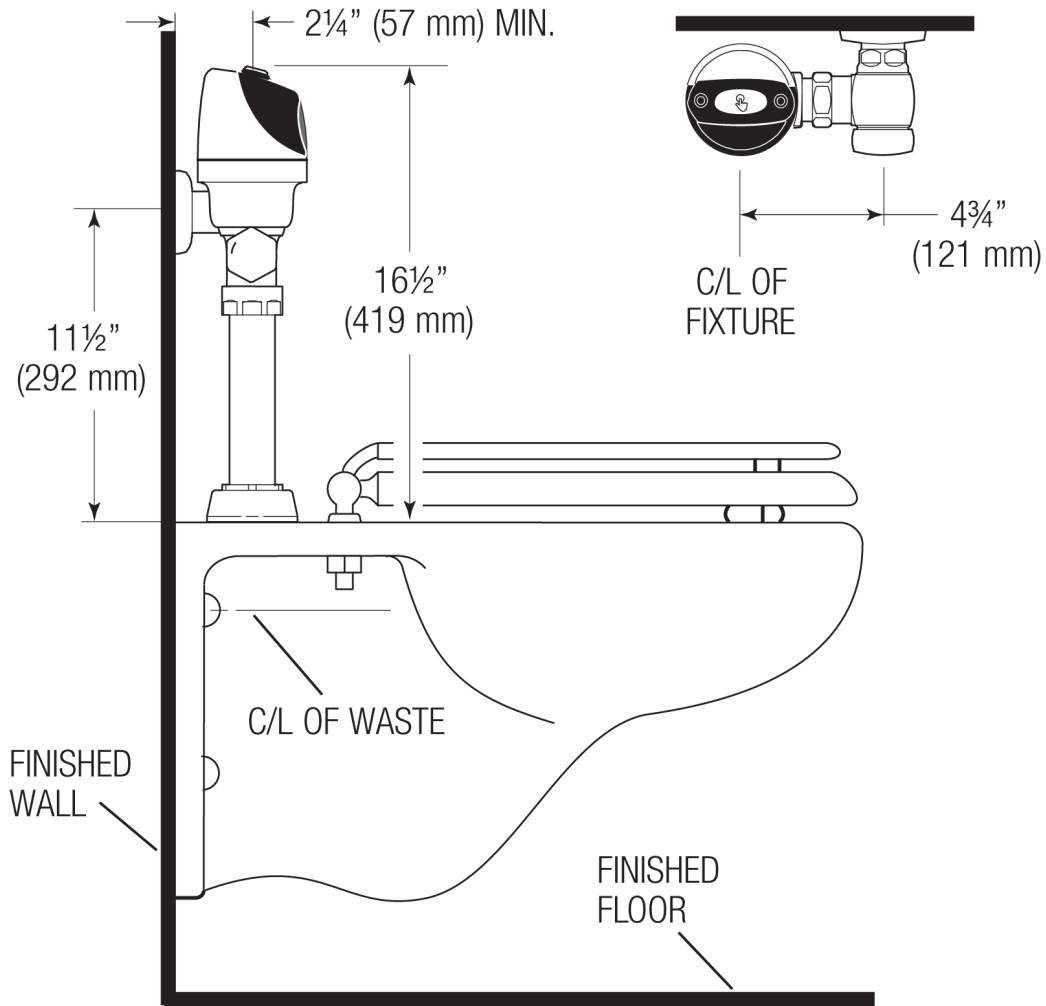
[Find a compatible urinal](#) for this flushometer.

[Find a compatible water closet](#) for this flushometer.

Sloan 10500 Seymour Ave, Franklin Park, IL 60131

Phone: 800.982.5839 • Fax: 800.447.8329 • sloan.com

ROUGH-IN



Sloan 10500 Seymour Ave, Franklin Park, IL 60131

Phone: 800.982.5839 • Fax: 800.447.8329 • sloan.com