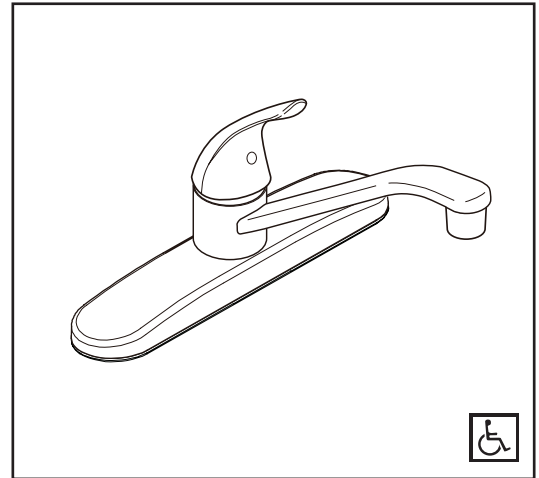
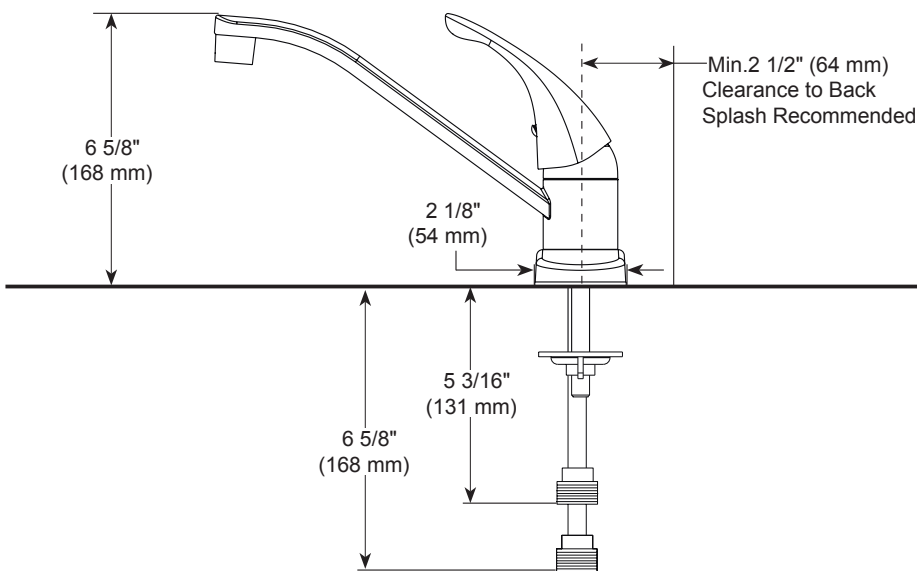
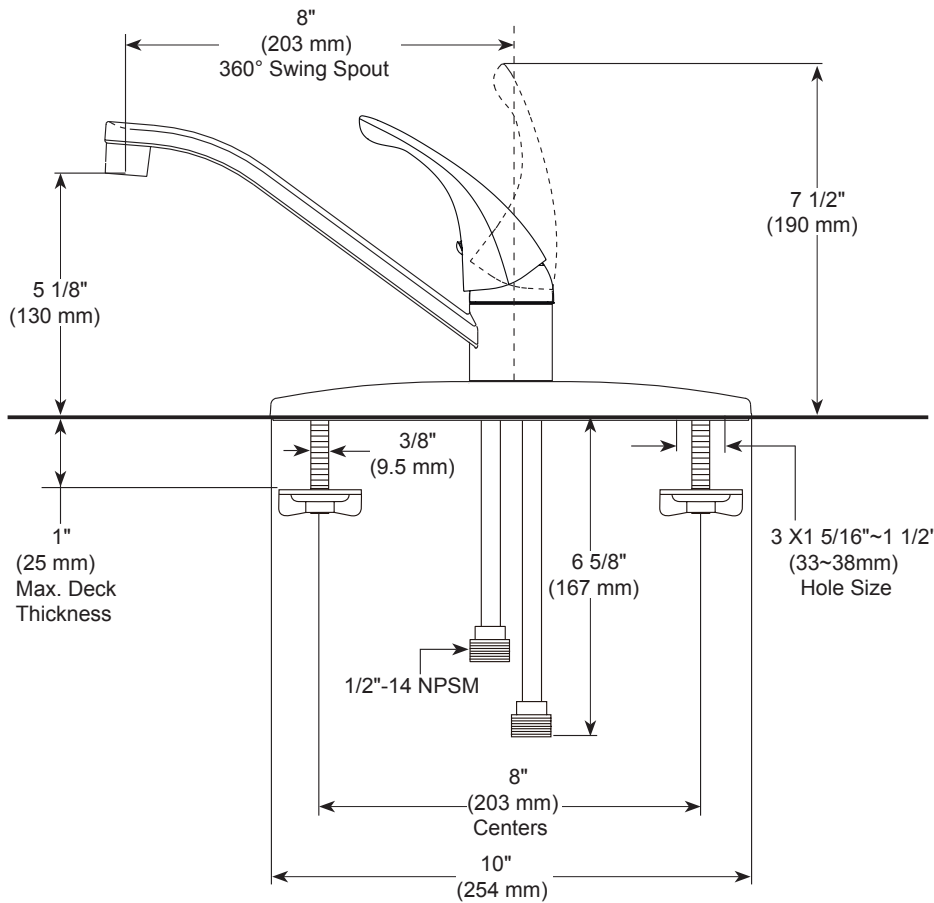


# PEERLESS®

P110LF



## KITCHEN FAUCETS

- Single handle dock mount
- 3 hole sink applications

### STANDARD SPECIFICATIONS:

- Max flow rate 1.8 gpm @ 60 psi, 6.8 L/min @ 414 kPa.
- 8" (203 mm) centerset.
- Spout rotates 360°.
- Replaceable rotating ball valve with replaceable non-metallic seats.
- 1/2"-14 NPSM threaded male inlet adapters.

### WARRANTY

- Lifetime limited warranty on parts (other than electronic parts and batteries) and finishes; or, for commercial users, for 5 years from the date of purchase.
- 5 year limited warranty on electronic parts (other than batteries); or for commercial users, for 1 year from the date of purchase. No warranty is provided on batteries.

### COMPLIES WITH:

- ASME A112.18.1 / CSA B125.1
- Indicates compliance to ICC/ANSI A117.1- Valve control only
- Verified compliant with .25% weighted average Pb content regulations