

Premier Copper Products

ITEM # PVOVAL20 OVAL HAND FORGED OLD WORLD COPPER VESSEL SINK

CODE/STANDARD COMPLIANCE

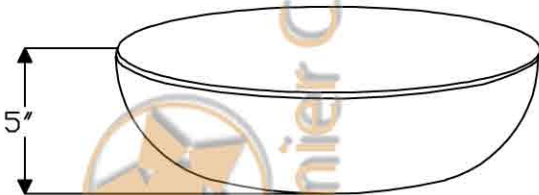
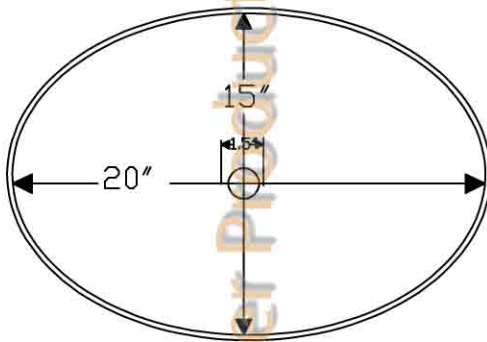
* IAPMO/cUPC LISTED



OUTER DIMENSIONS: 20"X15"X5"

DRAIN SIZE: 1.5"

FINISH: OIL RUBBED BRONZE



IMPORTANT: THIS PRODUCT IS HAND CRAFTED AND SMALL VARIANCES MAY OCCUR. DIMENSIONS MAY VARY UP TO 1/4". DO NOT MAKE ANY INSTALLATION CUTS UNTIL YOU RECEIVE YOUR SINK.