



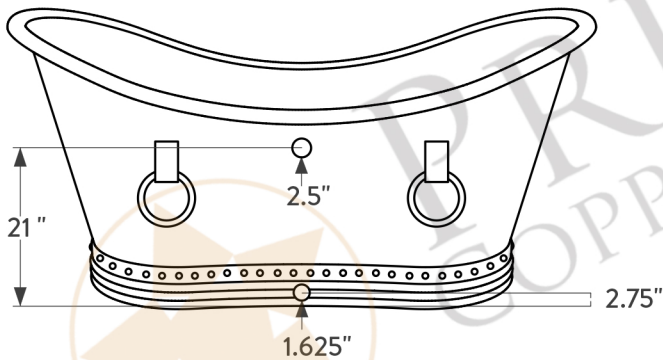
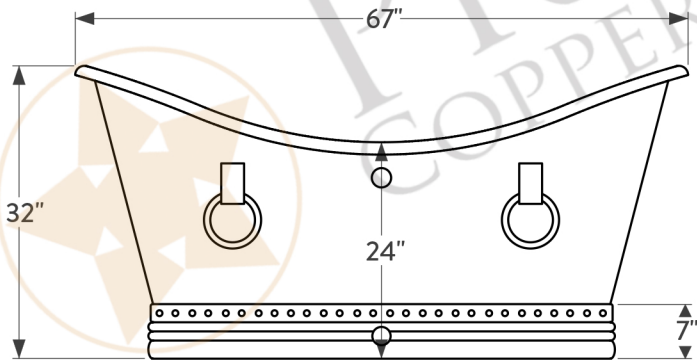
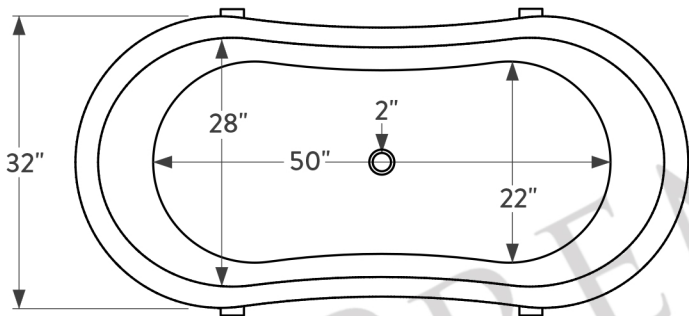
PREMIER
COPPER PRODUCTS

MODEL NUMBER: BTDR67DBOF

- * Description: 67" Hammered Copper Double Slipper Bathtub with Rings - Overflow Drain Compatible
- * Outer Dimension: 67" x 32" x 32"
- * Center Tub Height: 24"
- * Drain Opening: 2" Center
- * Finish: Oil Rubbed Bronze
- * Hole Sizes: 2.5" (Top) 1.625" (Bottom)
- * Hole Locations: 21" from ground to center of hole (Top)
2.75" from ground to center of hole (Bottom)

CODE/STANDARD COMPLIANCE

* IAPMO/UPC LISTED



THIS PRODUCT IS HAND CRAFTED, SMALL VARIANCES IN COLOR AND SIZE MAY OCCUR.
DO NOT MAKE ANY INSTALLATION CUTS UNTIL YOU RECEIVE YOUR ITEM(S).