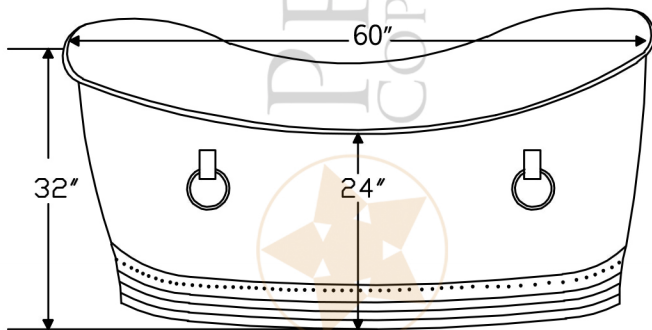
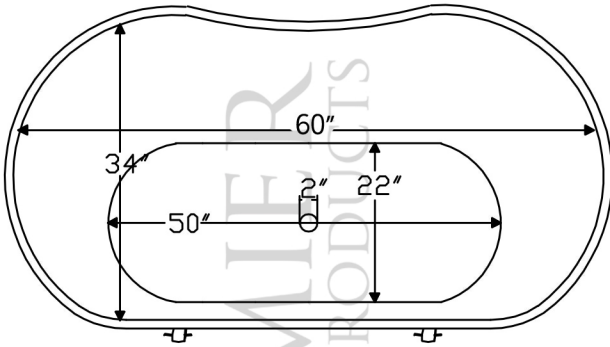




PREMIER
COPPER PRODUCTS

MODEL NUMBER: BTDR60DB

- * Description: 60" Double Slipper Copper Bath Tub with Rings
- * Outer Dimensions: 60" x 32" x 32"
- * Drain Opening: 2" Center
- * Finish: Oil Rubbed Bronze
- * Design: Hand Hammered Copper
- * Gauge: 16



THIS PRODUCTS IS HAND CRAFTED, SMALL VARIANCES IN COLOR AND SIZE MAY OCCUR.
DIMENSIONS MAY VARY UP TO 1". DO NOT MAKE ANY INSTALLATION CUTS UNTIL YOU RECEIVE YOUR ITEM(S).