



ID357

CAST IRON ISLAND TUB DRAIN™ (ROUGH-IN) - TESTABLE

Description:

Cast Iron Island Tub Drain™ (Testable Rough-in) for Freestanding Tubs

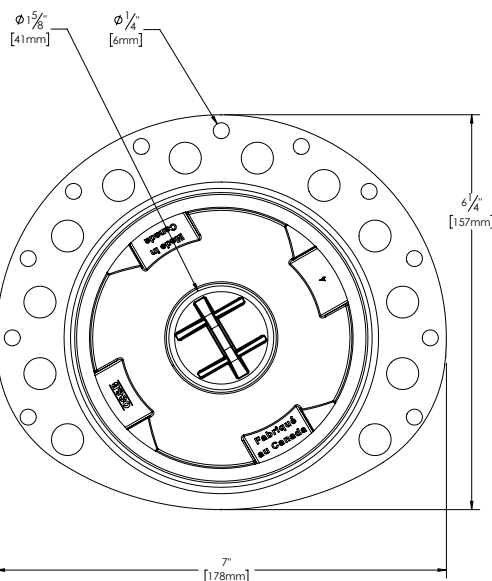
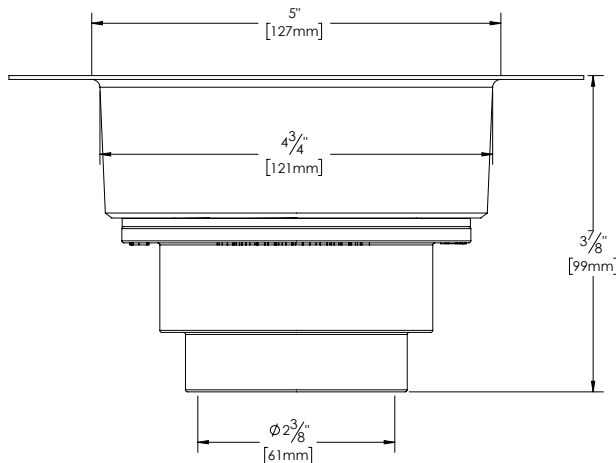
Certification*



*The "cSAUS Meets UPC" mark means the product conforms to the requirements of the NPC, UPC, IPC and IRC.

Features:

- Asymmetric design 18 Gauge Epoxy coated Metal Deck Plate with holes to lock to Thinsset
- Snap off Test Cap (Rated to 30psi)
- Mortar/Tile Guard
- ID357 features a Cast Iron Body
- ID357 is a Freestanding Tub rough-in (install before tile installation)
- Low profile design allows for installation in 8" joist spaces or greater
- NOTE: Island Tub Drain™ IS NOT FOR USE with liquid applied or sheet membranes
- NOTE: Island Tub Drain™ MUST BE INSTALLED in a dry area with no potential of water contact



Oakville Stamping and Bending Ltd.

2200 Speers Road, Unit C. Oakville, ON. Canada. L6L 2X8.

T. 905.827.0320 or toll free 1.877.314.6040 F. 905.827.6375 or toll free 1.877.827.6040.

All rights reserved. OS&B™ reserves the right to change product specifications and material or discontinue models without notice.

www.osb.ca