

**Towel Bar**  
**2540-1230**

**Features**

- Solid brass construction
- Complements Metro product series

**Codes / Standards Compliance**

Meets or exceeds the following at date of manufacture:

- All applicable US Federal and State material regulations



**Colors / Finishes**

- 10B: Oil Rubbed Bronze
- 15: Polished Nickel
- 15S: Satin Nickel - PVD
- 26: Polished Chrome
- Other: Refer to the Newport Brass catalog for additional color/finish options.

**Specified Model**

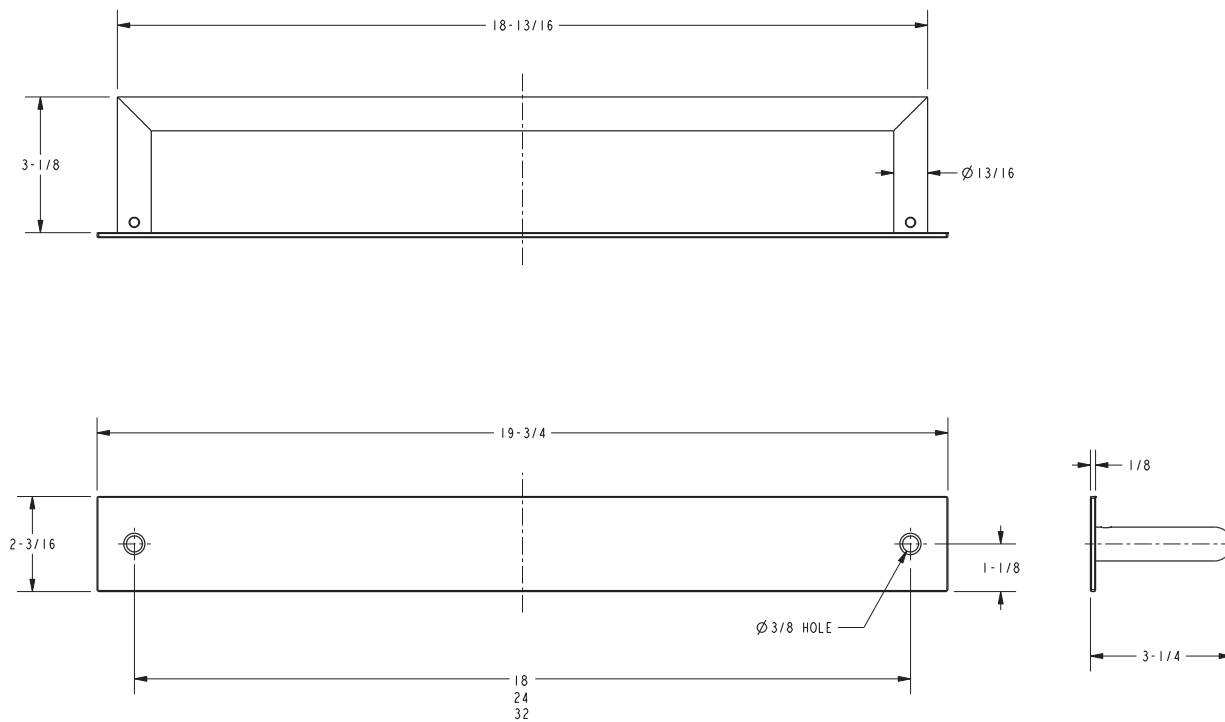
Model	Description	Colors   Finishes				
2540-1230	18" Towel Bar	<input type="checkbox"/> 10B	<input type="checkbox"/> 15	<input type="checkbox"/> 15S	<input type="checkbox"/> 26	<input type="checkbox"/> Other

**Product Specification** Add "Color / Finish" suffix to Model number, below.

The Towel Bar shall be made of solid brass construction. Towel Bar shall complement Newport Brass Metro product series. Towel Bar shall be Newport Brass Model 2540-12\_\_\_\_/\_\_\_\_.

# 2540-1230

PRODUCT DIMENSIONS (Units are in inches)



Metro Towel Bar  
**2540-1230**

**NEWPORT BRASS**  
Flawless Beauty. From Faucet to Finish.™