

**INSTALLATION INSTRUCTIONS**  
**SLIDE BAR ASSEMBLY**  
**MODEL NO. 280D**

**NEWPORT BRASS**

*Flawless Beauty. From Faucet to Finish.™*

**Recommended Installation by a Professional Plumbing Contractor**

Locate the desired position of slide bar on finished wall. See Fig. 1.

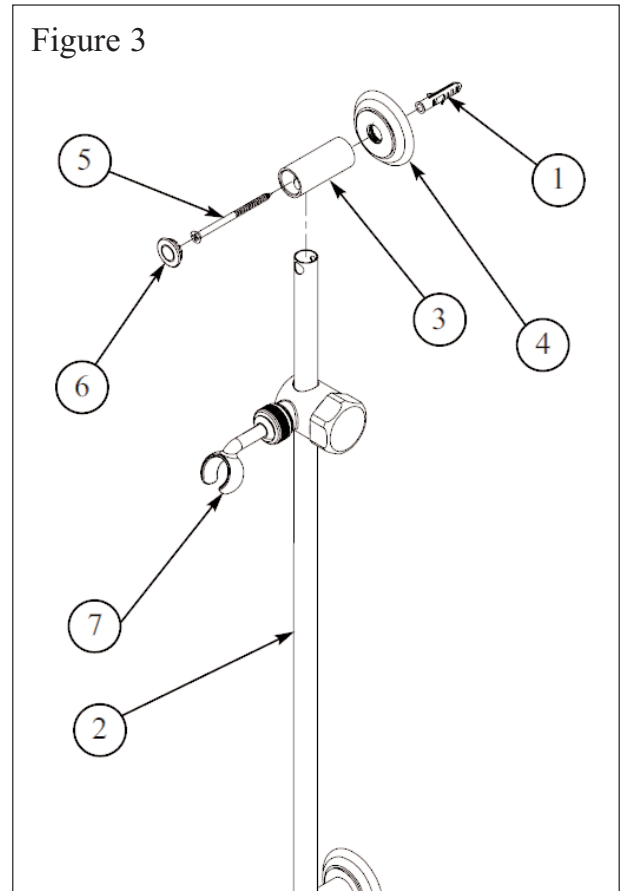
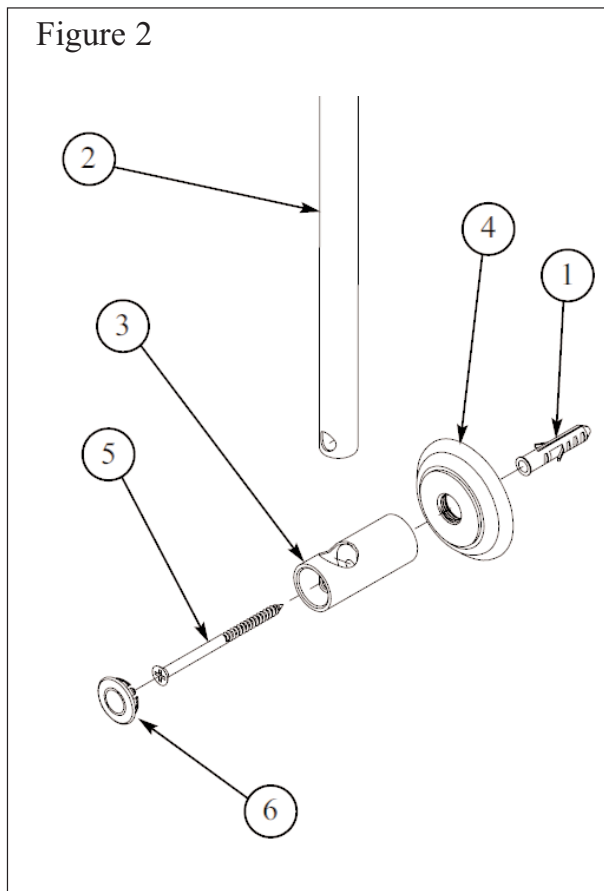
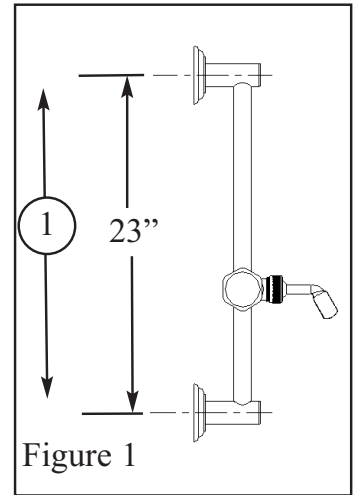
Mark wall and drill 5/16" hole for WALL ANCHORS (1) to dimension shown in Figure 1. Insert wall ANCHORS (1) into holes.

Place SLIDE BAR (2) into END POST (3). Note: Large diameter hole in SLIDE BAR (2) must face out as shown in Figure 2.

Place END POST (3) onto ESCUTCHEON (4), insert SCREW (5) & securely tighten into wall ANCHOR (1) as shown in Figure 2.

Press END CAP (6) into end of END POST (3).

Slide and lock HOLDER ASSEMBLY (7) onto SLIDE BAR (2) and repeat the above steps to the other end of SLIDE BAR (2) as shown in Figure 3.



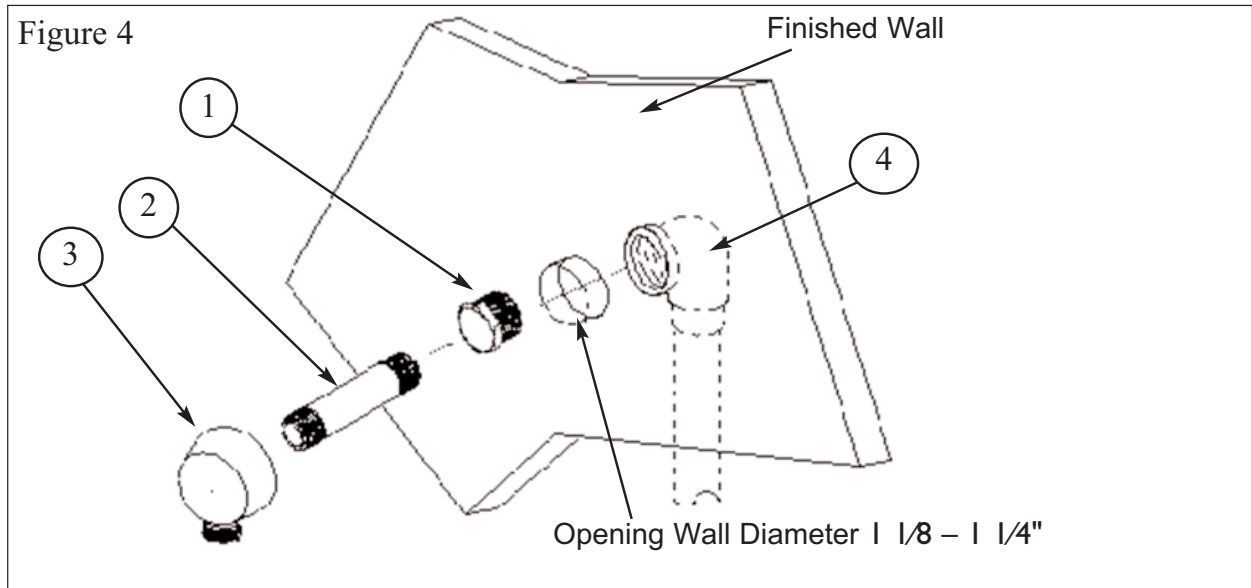
Opening of the Finished Wall diameter to SUPPLY FITTING are to be round with a diameter between 1 1/8– 1 1/4", as shown in Figure 4.

Where applicable, remove TEMPORARY PLUG (1) from fitting in wall.

Apply plumbers tape to seal all threaded joints of appropriate length NIPPLE (2), (not supplied).

Tighten SUPPLY ELBOW (3) onto NIPPLE (2).

Tighten NIPPLE (2) onto SUPPLY FITTING (4).



#### Hand Shower & Hose Installation

Place RUBBER WASHER (1) into both ends of HOSE (2).

Attach the hex end of HOSE (2) onto SUPPLY ELBOW (3).

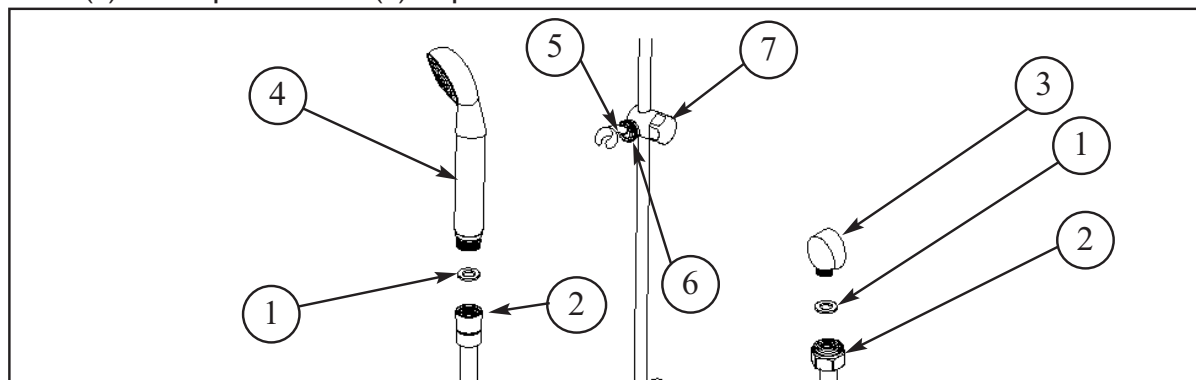
Attach HAND SHOWER (4) onto conical end of HOSE (2).

Place HAND SHOWER (4) into SLIDE BAR HOLDER (5).

#### To adjusting Hand Shower on Slide Bar

Loosen or tighten COLLAR NUT (6) to allow HOLDER (5) movement to desired position.

Loosen CAP HANDLE (7) and move HOLDER (5) to desired vertical location. Retighten CAP HANDLE (7) to keep HOLDER (5) in place.



(949) 417-5207