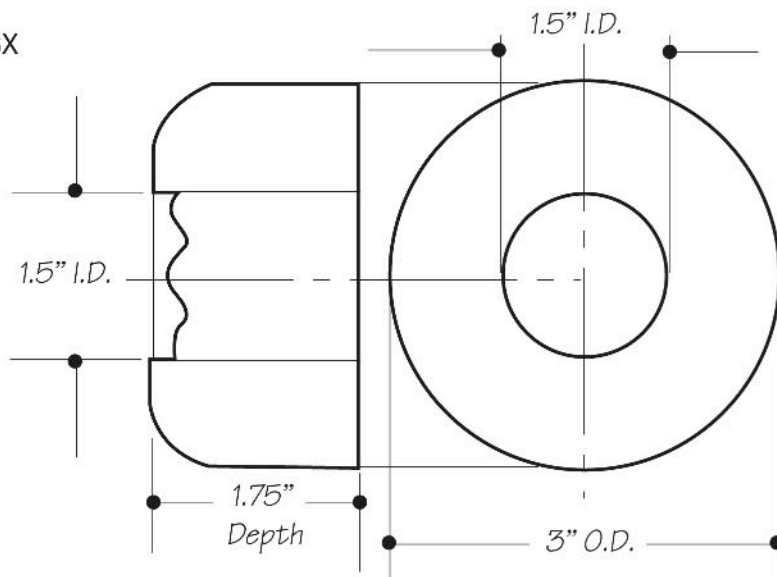


INSTALLATION DIMENSIONS

This model offers you the following features & benefits:

- 1-1/2" I.D. fits over P-Trap waste arm
- For 1-1/2" P-Trap applications
- Can be used with MT302X and MT303X
- Plated Brass

- Available in 21 finishes
 - CPB - Polished Chrome
 - SC - Satin Chrome
 - PN - Polished Nickel
 - BRN - Brushed Nickel
 - PEW - Pewter
 - PRN - Pearl Nickel
 - AB - Antique Brass
 - SB - Satin Brass
 - PVD - Polished Brass
 - WB - Weathered Brass
 - WCP - Weathered Copper
 - ACP - Antique Copper
 - PCP - Polished Copper
 - ORB - Oil Rubbed Bronze
 - VB - Venetian Bronze*
 - PVDDBB - Brushed Bronze
 - TB - Tuscan Brass
 - MB - Matte Black
 - FG - French Gold
 - GPB - Polished Gold
 - SG - Satin Gold



Warranty

*ALL MOUNTAIN PRODUCTS CARRY A 1 YEAR WARRANTY ON ALL WORKING PARTS.(except disposers)

*MOST SPECIAL FINISHES HAVE A 1 YEAR WARRANTY IF INSTRUCTIONS ARE FOLLOWED PROPERLY. ORB, EB, MHB, WCP, AND TB HAVE A 90 DAY WARRANTY IF INSTRUCTIONS ARE FOLLOWED PROPERLY.

*ALL PVD FINISHES COME WITH A LIFETIME WARRANTY IF INSTRUCTIONS ARE FOLLOWED PROPERLY

*ALL XENOY COLORED PRODUCTS HAVE A LIFETIME WARRANTY

*USE OF PLUMBERS PUTTY ON PRODUCTS VOIDS WARRANTY