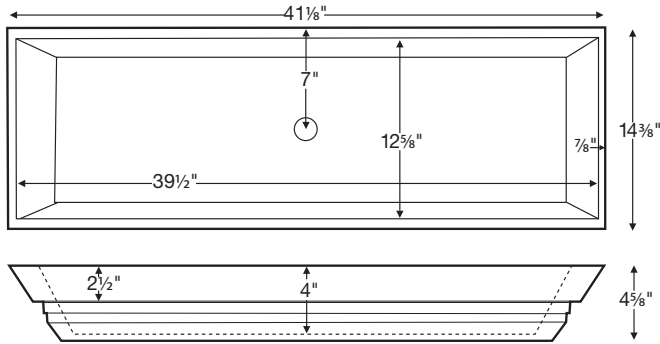


Petra 7 SR



Petra 7 SR is a single-drain semi-recess sink.
For dual drain, see Petra 8 SR, MTCS-750.

MODEL 748
41.125" x 14.375" x 4.625"
SEMI-RECESSED
SculptureStone®
48 lbs / 22 kg



The top 2 1/2" of the semi-recessed sink will rest on the vanity.

Due to its handcrafted nature, always measure sink on-site to ensure cut-out accuracy.

Sink Options and Pricing

Part #: MTCS748 **\$1,280**

Standard Color White, matte finish
Biscuit Color Upgrade (SSBISNK) **\$120** matte finish
Additional material colors available for projects only. Please call MTI.

Hand-Polished Deep Gloss Finish Upcharge (SSGLOSSNK3) **\$715**
For White or Biscuit

Exterior Color \$340 (SSCOLSG) Gloss (SSCOLSM) Matte
Must specify color code:
Sapphire Blue (SB), Blue Lagoon (BL), Terracotta (TC),
Onyx (OX), Stratus Gray (TG), Stormgray (SG)

Quick Ship (QSPRI3) **\$255** reduces lead time
Please call for availability.

Options and Accessories

Teak Sink Tray
Slatted (TKST1) **\$190** Solid (TKST2) **\$220**

Drain Kits

Finger Touch Drain Without Overflow
Chrome (DKFGCN) **\$185**, Brushed Nickel (DKFGBNN) **\$190**

Grid Drain Without Overflow
Chrome (DKGDCN) **\$115**, Brushed Nickel (DKGDBNN) **\$180**

Fixed Drain Without Overflow
Chrome (DKFDC) **\$300**

Sink Bottom Cover matching material color
Matte (BCLMT) **\$660**, Gloss (BCLGL) **\$805**
Upcharge, Ext. Color for Sink Bottom Cover Matte (SSCOLSBM) **\$260**
Gloss (SSCOLSBG) **\$260**

ORDERING AND INSTALLATION

- 1.5" drain opening
- One-piece construction
- Non-porous, stain-, mold- and mildew-resistant SculptureStone®
- Material is approximately 70% organic
- Five-Year Limited Residential Warranty



Also available, Petra Counter-Sink 7, featuring custom-size countertop with integrated bowl. Available only as a single bowl.

• Before discarding packaging, check for accessories that may be inside.
• All product measurements are ±1/2".
• Specifications and configurations are subject to change without notice.
• Measurements herein supersede all others published prior to publication date below.

