

## Features

- Cast acrylic construction improves durability and aesthetics
- 51 ½" x 30" x 40"
- 17" high, ADA compliant seat to remain upright while completely submerged
- Simplified installation procedure
- Carefree non-rusting door hinge and handle
- Durable one-inch steel frame with adjustable feet
- Replaces standard size tub with right or left hand drain
- Fits through a standard 32" bathroom doorway
- Removable front and end panels for complete access to operating system
- Available in white only
- Cable operated drain
- Available in Bathtub, Whirlpool, Air Bath, Combination Whirlpool/Air bath, and MicroDerm™ Therapeutic Bath models (see options available below)



## Models & Options




MODEL #	DESCRIPTION	WHIRLPOOL JETS	AIR JETS	MICROBUBBLE PORTS	INLINE HEATER	OZONATOR	CHROMATHERAPY COLOR LIGHT SYSTEM	CABLE DRAIN	HEATED SEAT & BACKREST MODEL: ACR151	EXTENSION BOX MODEL: ACR-001	END PANEL MODEL: ACR-002	NAILING FLANGE KIT MODEL: SWAP00
8090	Restore™ ACR 5230 Whirlpool—RH	12	—	—	STD	STD	STD	STD	OPT	OPT	OPT	OPT
8190	Restore™ ACR 5230 Whirlpool—LH	12	—	—	STD	STD	STD	STD	OPT	OPT	OPT	OPT
8290	Restore™ ACR 5230 Bath—RH	—	—	—	N/A	N/A	N/A	STD	OPT	OPT	OPT	OPT
8390	Restore™ ACR 5230 Bath—LH	—	—	—	N/A	N/A	N/A	STD	OPT	OPT	OPT	OPT
8490	Restore™ ACR 5230 Air Bath—RH	—	16	—	N/A	N/A	STD	STD	OPT	OPT	OPT	OPT
8590	Restore™ ACR 5230 Air Bath—LH	—	16	—	N/A	N/A	STD	STD	OPT	OPT	OPT	OPT
8690	Restore™ ACR 5230 Combo—RH	12	16	—	STD	STD	STD	STD	OPT	OPT	OPT	OPT
8790	Restore™ ACR 5230 Combo—LH	12	16	—	STD	STD	STD	STD	OPT	OPT	OPT	OPT
8890	Restore™ ACR 5230 MicroDerm—RH	—	—	2	N/A	N/A	N/A	STD	OPT	OPT	OPT	OPT
8990	Restore™ ACR 5230 MicroDerm—LH	—	—	2	N/A	N/A	N/A	STD	OPT	OPT	OPT	OPT

### Codes/Standards:

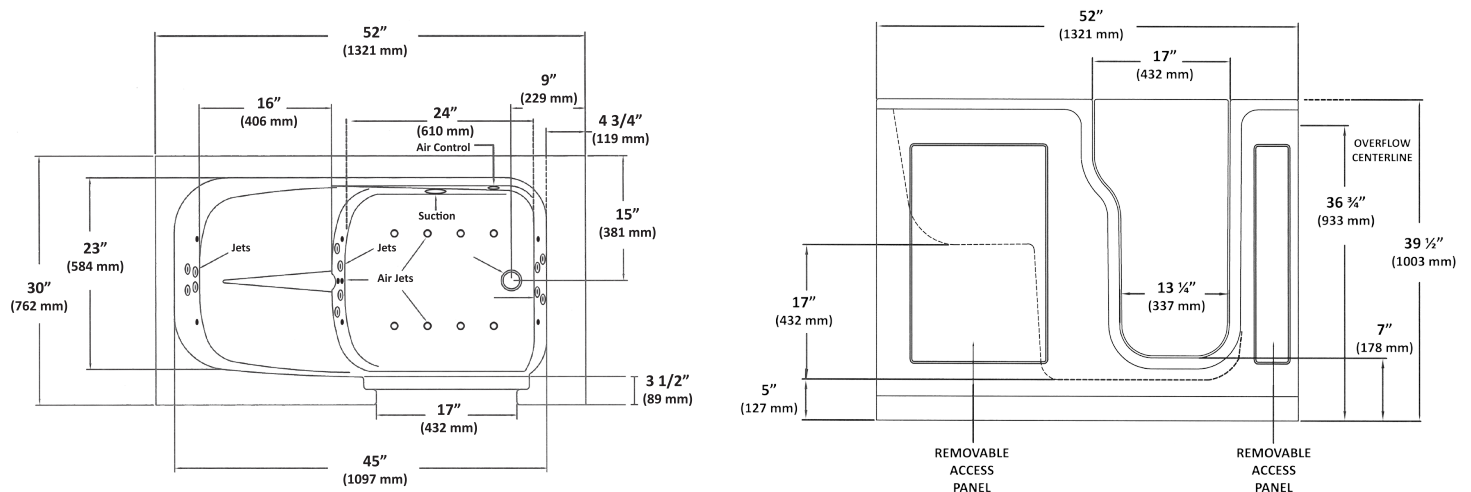


**MADE IN USA**

## Specifications

Specification	Description	Specification	Description
<b>Material</b>	Acrylic, fiberglass reinforced	<b>Codes/Standards</b>	  
<b>Construction</b>	Self-contained, pre-plumbed, mounted on a one inch steel frame with adjustable feet	<b>Number of Jets</b>	Whirlpool – 12 fully adjustable jets Air bath – 16 air injector jets
<b>Electrical Requirements</b>	<b>Whirlpool:</b> Two dedicated 120 volt, 20 amp GFCI protected circuits	<b>Whirlpool Pump</b>	120V, 7 amps
	<b>Air bath:</b> One dedicated 120 volt, 20 amp GFCI protected circuit	<b>Air Bath Blower</b>	120V, 200 watt
	<b>Combination:</b> Two dedicated 120 volt, 20 amp GFCI protected circuits	<b>Shipping Weight</b>	210 lbs. – Bathtub 230 lbs. – Air Bath 235 lbs. – Whirlpool and MicroDerm 255 lbs. – Combination
<b>MicroDerm:</b> One dedicated 120 volt, 20 amp GFCI protected circuit			
<b>Water Capacity</b>	40 gal. (min.) / 50 gal. (max.) with bather	<b>Floor Loading Weight</b>	450 lbs.
<b>On/Off Control</b>	<b>Whirlpool &amp; Air bath:</b> 4-button electronic keypad with color coded LED lighting <b>Combination:</b> 5-button electronic keypad with color coded LED lighting <b>MicroDerm:</b> On/off electronic keypad	<b>Warranty</b>	Operating System – 5-year warranty Shell – 10-year warranty Door Seal – Lifetime warranty

## Technical Information



See our complete line of acrylic and vitreous china bathroom fixtures, plastic tank trim and plumbing products.

These dimensions are nominal and subject to change without notice.

Fixture performance and specifications meet or exceed ASME A112.19.2-2008/CSA B45.1-08 standards, and other state and local codes.

