

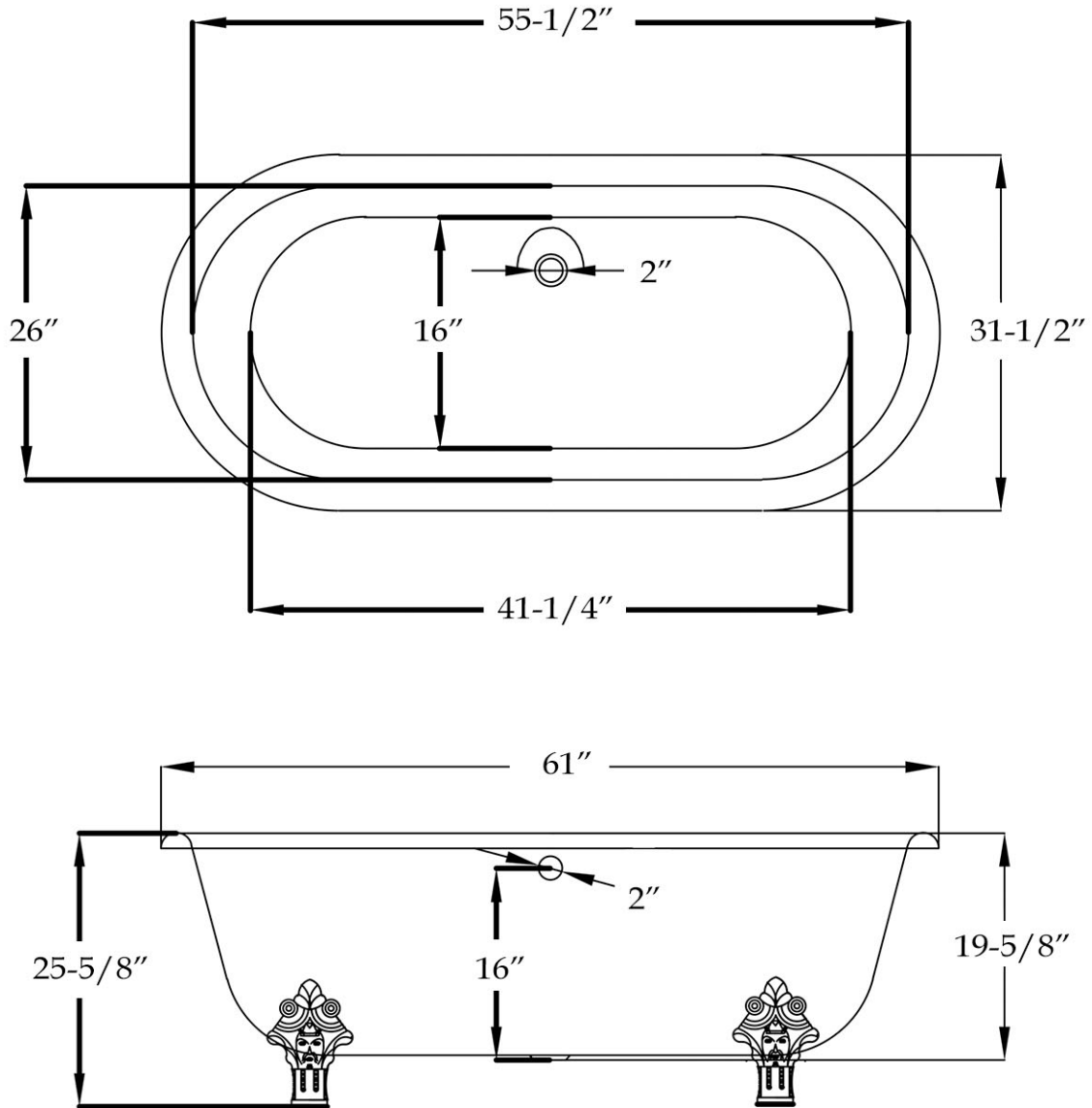


MAIDSTONE

[www.MaidstoneSupply.com](http://www.MaidstoneSupply.com)

Double Ended Clawfoot Tub

Part No: 2201MDE-61-0



Weight (empty): 319 lbs    Weight (filled): 803 lbs    Capacity: 58 gal    Water depth: 16"

Contact Maidstone for additional information and specifications. For complete warranty information and a list of dealers visit [www.MaidstoneSupply.com](http://www.MaidstoneSupply.com). All products and specifications are subject to change without notice. Maidstone is not responsible for typographical and/or dimensional errors. Typographical errors are subject to correction.

Note: Rough-in dimensions may vary +/- 1/2" and are subject to change. No responsibility is assumed by Maidstone.