

# 25" x 22" Top Mount Single Bowl Kitchen Sink



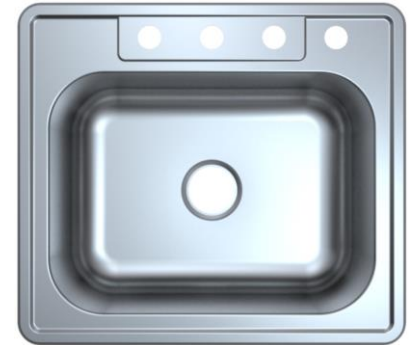
## Product Specifications

### PRODUCT FEATURES

- 20 Gauge
- 304 Series Stainless Steel
- Satin Finish
- Sound Absorption Pads

### MATERIALS & SPECIFICATIONS

<b>Installation Type:</b>	Top Mount
<b>Material:</b>	304 Series Stainless Steel
<b>Finish:</b>	Satin
<b>Gauge:</b>	20
<b>Sound Deadening:</b>	Bottom Only Pads
<b>Number of Bowls:</b>	1
<b>Sink Dimensions:</b>	25" x 22" x 8"
<b>Bowl Dimensions:</b>	21" x 15-1/2" x 8"
<b>Drain Size:</b>	3-1/2" (88.9mm)
<b>Drain Location:</b>	Center
<b>Minimum Cabinet Size:</b>	30"
<b>Mounting Hardware:</b>	Included for countertops up to 3/4" (19mm) thick
<b>Cutout Template #:</b>	Included inside box



**MLTS252284 shown**

✓ To Submit	Part No.	Description
	MLTS252284	Four Hole
	MLTS252283	Three Hole

*Sinks are listed by IAPMO® as meeting the applicable requirements of the Uniform Plumbing Code®, International Plumbing Code®, and National Plumbing Code of Canada.*

**Warranty:** See warranty information for more detail.

**For cutout measurement:** See cutout template in sink box.

All dimensions listed are nominal. Mainline® reserves the right to make product and material changes at any time without notice.



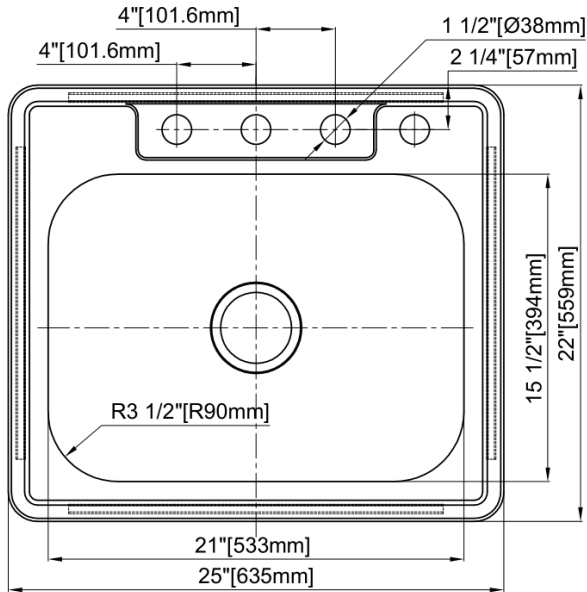
**Contact your sales representative for more information or visit our website at [mainlinecollection.com](http://mainlinecollection.com)**

# 25" x 22" Top Mount Single Bowl Kitchen Sink

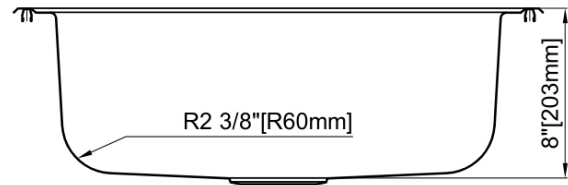
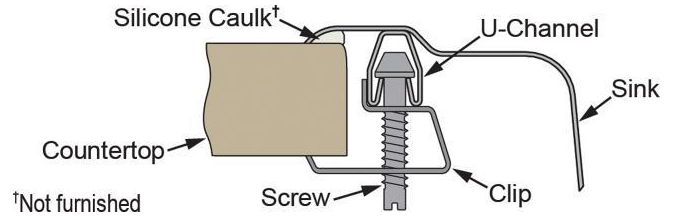
Product Specifications



## Dimensions:



## Installation Profile:

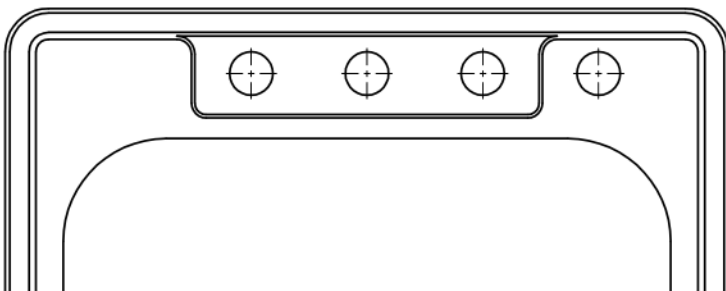


## CUT OUT DIMENSIONS FOR TOP MOUNT INSTALLATION

- 24-3/8" X 21-3/8" with 1-3/16" corner radius

## HOLE DRILLING CONFIGURATION

- 1-1/2" (38mm) diameter faucet holes for 3 or 4 hole models
- Faucet holes on 4" (101.6mm) centers



Contact your sales representative for more information or visit our website at [mainlinecollection.com](http://mainlinecollection.com)