

SILGRANIT®

Double Bowl 60/40 Offset Undermount

LUXART®

Product Specifications

MODELS

- LX440179 Double Bowl, 9-1/2" & 8" bowl depths, ANTHRACITE
- LX440177 Double Bowl, 9-1/2" & 8" bowl depths, CAFÉ BROWN
- LX440180 Double Bowl, 9-1/2" & 8" bowl depths, WHITE
- LX440178 Double Bowl, 9-1/2" & 8" bowl depths, METALLIC GRAY
- LX441284 Double Bowl, 9-1/2" & 8" bowl depths, TRUFFLE
- LX441469 Double Bowl, 9-1/2" & 8" bowl depths, CINDER
- LX442909 Double Bowl, 9-1/2" & 8" bowl depths, COAL BLACK
- LX443064 Double Bowl, 9-1/2" & 8" bowl depths, SOFT WHITE
- LX443101 Double Bowl, 9-1/2" & 8" bowl depths, VOLCANO GRAY



Model LX440179 shown in ANTHRACITE
* basket strainer not included

FEATURES

- Required outside cabinet: 36"
- 80% solid granite
- Heat resistant up to 536°F
- Unsurpassed cleanability backed by industry leading 7 patents!
- Resistant to scratches, stains and all household acids and alkali solutions
- Template provided with approximate 1/8" reveal
- Undermount clips included
- Limited lifetime warranty

OPTIONAL ACCESORIES

- Celcon Disposal Flange with Strainer/Stopper: LX125
- Celcon Basket Strainer: LX105

CODE/STANDARDS COMPLIANCE

ANSI Z124.6-97
IAPMO/UPC listed

NOMINAL DIMENSIONS

OVERALL	CUTOUT SIZE	BOWL DEPTH		DRAIN DIAMETER
		LEFT	RIGHT	
32"X20-27/32"	Template provided with approximate 1/8" reveal	9-1/2"	8"	3-1/2"

DFX cutout templates available on our website

All dimensions listed are nominal. Luxart® reserves the right to make product and material changes at any time without notice.



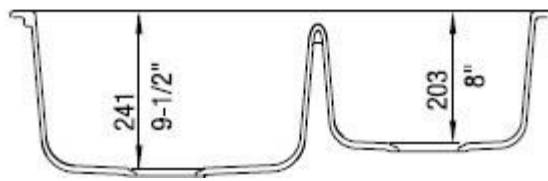
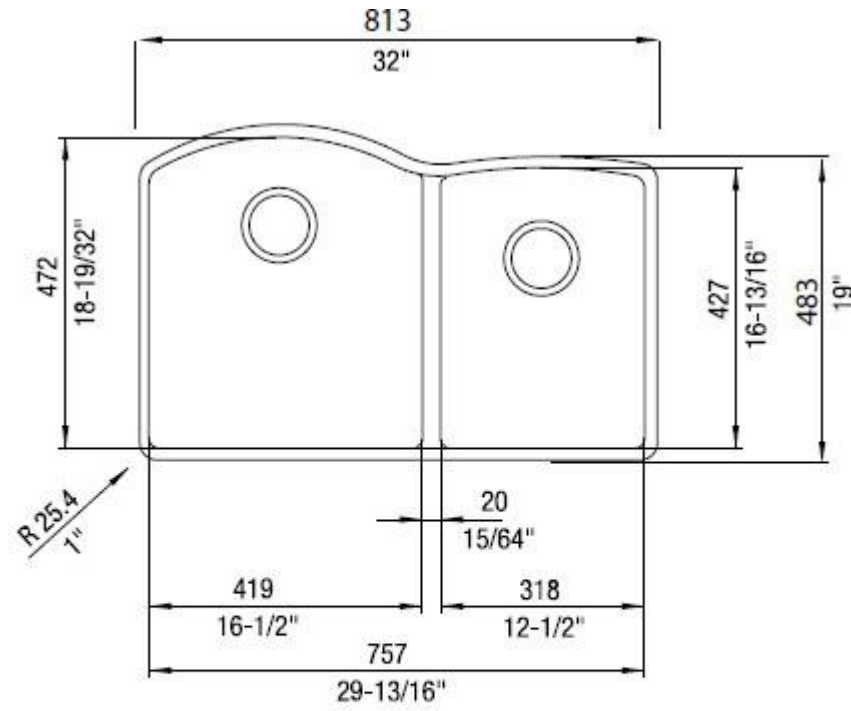
Contact your sales representative for more information or visit our website at luxartcollection.com

SILGRANIT®

Double Bowl 60/40 Offset Undermount

LUXART.

Product Specifications



Contact your sales representative for more information or visit our website at luxartcollection.com

Revised 2/07/2023