

C017

SMALL ROUND FLAT BOTTOM



Shown in DB



DETAILS

Installation Type: Drop-In or Undermount

Materials: Copper, Stainless Steel, or Brass

Hand-Hammered Metal

Standard 3.5" Bar Drain, No Overflow

Each sink is hand-crafted; No two sinks will be the same

NOTE: Due to the handmade nature of the sink, dimensions are approximate and variations in the metal may be visible.

AVAILABLE FINISHES

| | | | | | |
|--|-----------|------------------------|--|-----------|-------------------------|
| | DB | Dark Bronze | | WC | Weathered Copper |
| | PN | Polished Nickel | | SN | Satin Nickel |
| | PS | Pol. Stainless Steel | | SS | Satin Stainless Steel |
| | PB | Pol. Unlacquered Brass | | UB | Satin Unlacquered Brass |

AVAILABLE DRAINS

| | | |
|--|------------------|--|
| | D003 | 3.5" Basket Strainer |
| | D007 | 3.5" Disposal Flange |
| | D051-D057 | Decorative Basket Strainers |
| | D071-D077 | Disposal Flange w/ Decorative Strainer Stopper |

INSTALLATION

Drain should be installed first.

DROP-IN: Cut opening large enough for the sink to be "dropped in" to countertop.

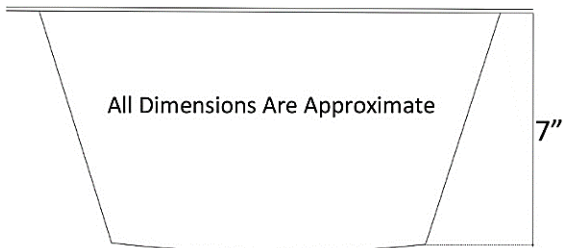
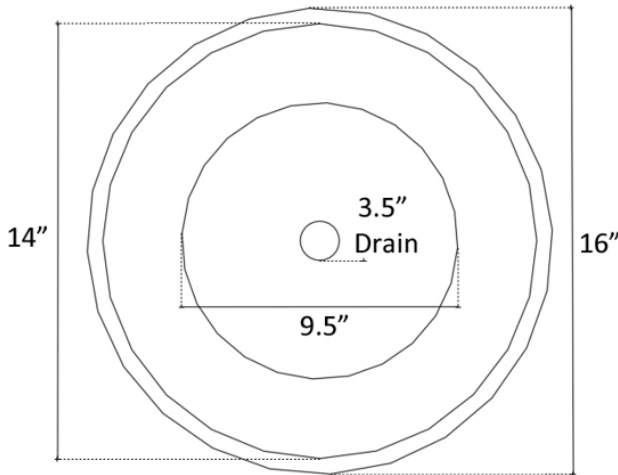
UNDERMOUNT: Cuts in countertop are up to the discretion of the installer. Clips or other installation method must be provided by the fabricator/installer. Use 100% silicone to adhere sink to countertop. Clean any excess silicone from sink surface to avoid damaging the finish.

CARE

This sink **has a living finish** which **will change with time and use**. Use mild soap and water for everyday cleaning. Avoid any harsh abrasives, acidic cleaning products and antibacterial hand soap. A paste wax may be applied periodically to protect the finish and help with water spotting.

WARRANTY

Linkasink warranties our product to be free from manufacturing defect for the life of the product. Warranty does not cover improper care or abuse/neglect, or changes to the living finish.



DIMENSIONS WILL VARY

DO NOT use this sheet as a guide for countertop cuts. Due to the handmade nature of each product, templates are not provided.