

### Features

- Includes a towel bar.
- Combines with the K-2269 Memoirs bathroom sink for a complete console table solution
- Coordinates with other products in the Memoirs collection.
- Legs Only 23" (584 mm) x 17-1/4" (440 mm) x 32-1/4" (819 mm) -- Combination (30003 and 2269) 30" (762 mm) x 21-5/8" (549 mm) x 36" (914 mm)

### Material

- Solid brass.

### Installation

- Console Table Legs.

### Required Accessories

K-2269-1 Above-counter Bathroom Sink

or

K-2269-8 Above-counter Bathroom Sink



### Codes/Standards





None Applicable

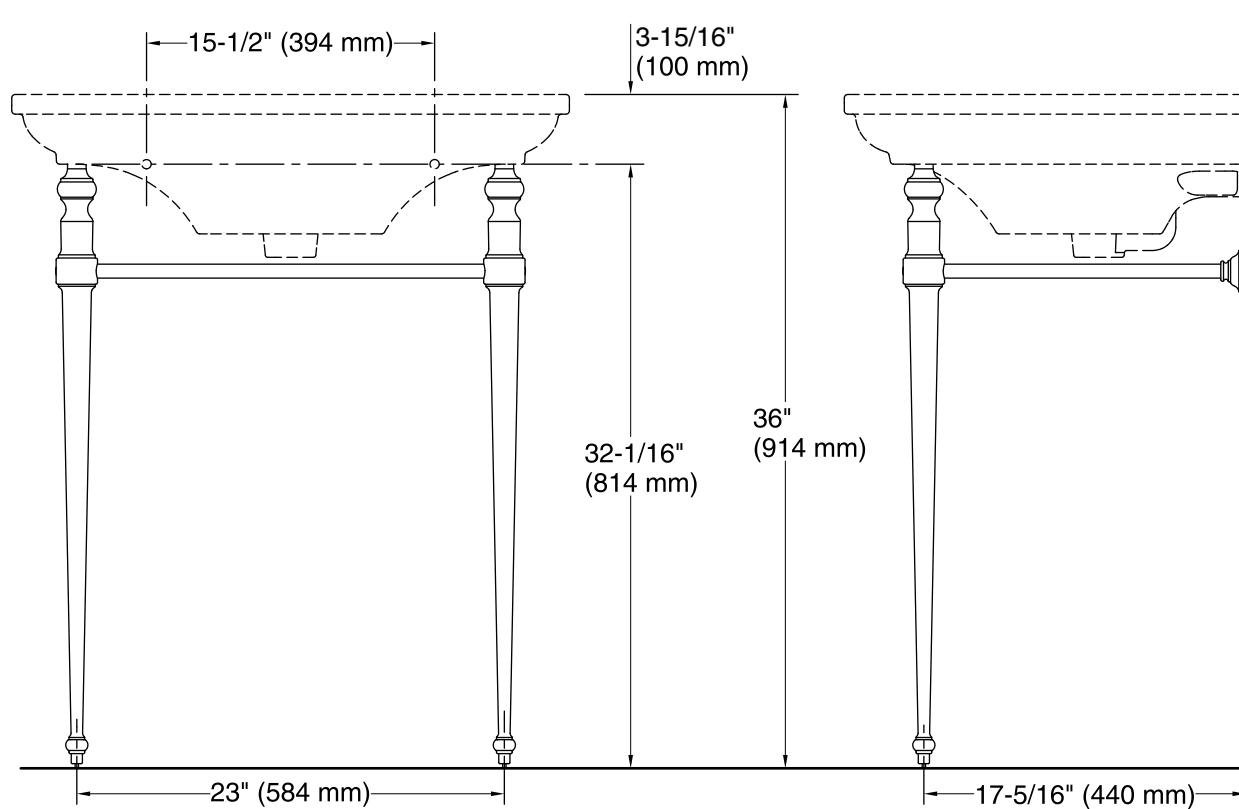
### KOHLER® One-Year Limited Warranty

See website for detailed warranty information.

### Available Color/Finishes

*Color tiles intended for reference only.*

Color	Code	Description
	CP	Polished Chrome
	BN	Vibrant® Brushed Nickel
	BV	Vibrant® Brushed Bronze
	2BZ	Oil-Rubbed Bronze



### Technical Information

All product dimensions are nominal.

### Notes

Install this product according to the installation instructions.