

Features

- 8 (203 mm) centers.
- 5-1/8" (130 mm) wall-to-spout outlet with pail hook.
- 1/4-turn full brass ceramic valve.
- 13.5 gal/min (51 l/min) flow rate at 60 psi (4.1 bar).
- 2-7/16" vandal-proof metal lever handles.
- Threaded spout for hose connection.
- Atmospheric vacuum breaker to prevent back flow (not intended for continuous pressure).
- Drain not included.

Material

- Solid brass construction with thick chrome plating for rough commercial applications.

Installation

- Eccentric inlet shanks for easy installation.

Recommended Products/Accessories

K-23723 Faucet cleaner



ADA

CSA B651

OBC

Codes/Standards

ASME A112.18.1/CSA B125.1

ADA

ICC/ANSI A117.1

CSA B651

OBC

KOHLER® One-Year Limited Warranty

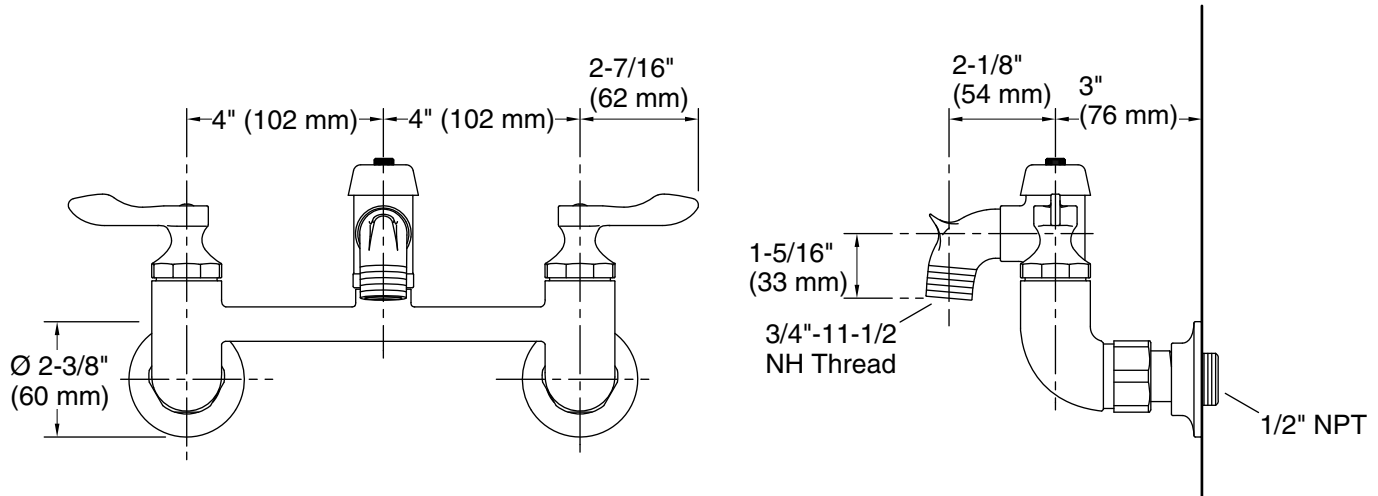
See website for detailed warranty information.

Available Colors/Finishes

Color tiles intended for reference only.

| Color | Code | Description |
|-------|------|-------------|
|-------|------|-------------|

| | | |
|--|----|-----------------|
|  | CP | Polished Chrome |
|--|----|-----------------|



Technical Information

All product dimensions are nominal.

Faucet:

Flow rate: 13.5 gal/min (51.1 l/min)
 Pressure: 60 psi (4.1 bar)
 Valve body: Cast brass
 Drain included: No

Spout:

Spout reach: 5-1/8" (130 mm)
 Handle clearance: 2-7/16" (62 mm)

Notes

Install this product according to the installation instructions.

ADA, OBC, CSA B651 compliant when installed to the specific requirements of these regulations.