

### Features

- KOHLER Konnect® app lets you control PerfectFill drain system from anywhere and create up to ten temperature and fill-level presets
- AutoFill feature closes drain and fills bath to desired level and temperature; no monitoring necessary
- AutoDrain automatically opens drain after preset bath duration elapses; drain can also be operated via the app, voice assistant, or on/off button
- Warm Up/Cool Down function removes and adds water, maintaining your desired temperature throughout the bath; can be set to run automatically or when prompted
- Manual Bath Fill lets you run a normal bath without timer or digital drain features
- Wall-mount remote on/off button allows you to manually start/stop water or open/close drain
- No internal linkages, reducing the chance of clogs in the overflow pipe
- Ball-joint construction for easy installation
- Controller is equipped with rubber feet for locating on a countertop or shelf; can also be wall-mounted
- Requires bath spout (sold separately)
- Requires slotted overflow drain trim kit and two-port digital thermostatic valve or three-port digital thermostatic valve for use with handshower (sold separately)
- Add DTV+™ to control PerfectFill through the DTV+ interface; requires K-99693-P, K-99694, K-99695, and K-97999 (sold separately)

### Material

- Schedule 40 PVC with metal overflow cover
- Reinforced engineering-grade thermoplastic casing on controller
- KOHLER finishes resist corrosion and tarnishing

### Technology

- KOHLER Konnect® app pairs with Amazon Alexa and Google Home for hands-free PerfectFill functionality

### Installation

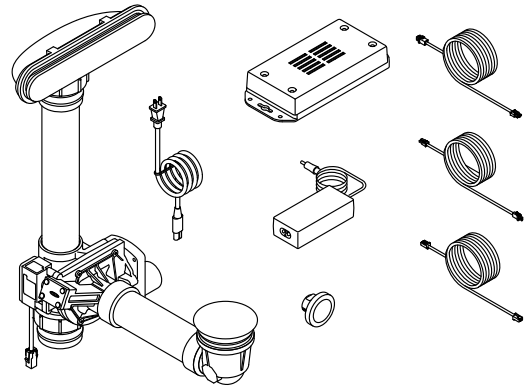
- Through-the-floor

### Required Products/Accessories

K-31799 Slotted overflow bath drain trim kit  
K-528-K1 Digital Two-Port Thermostatic Valve

### Optional Products/Accessories

K-99695 System Controller Module  
K-99695-E Eco-system controller module

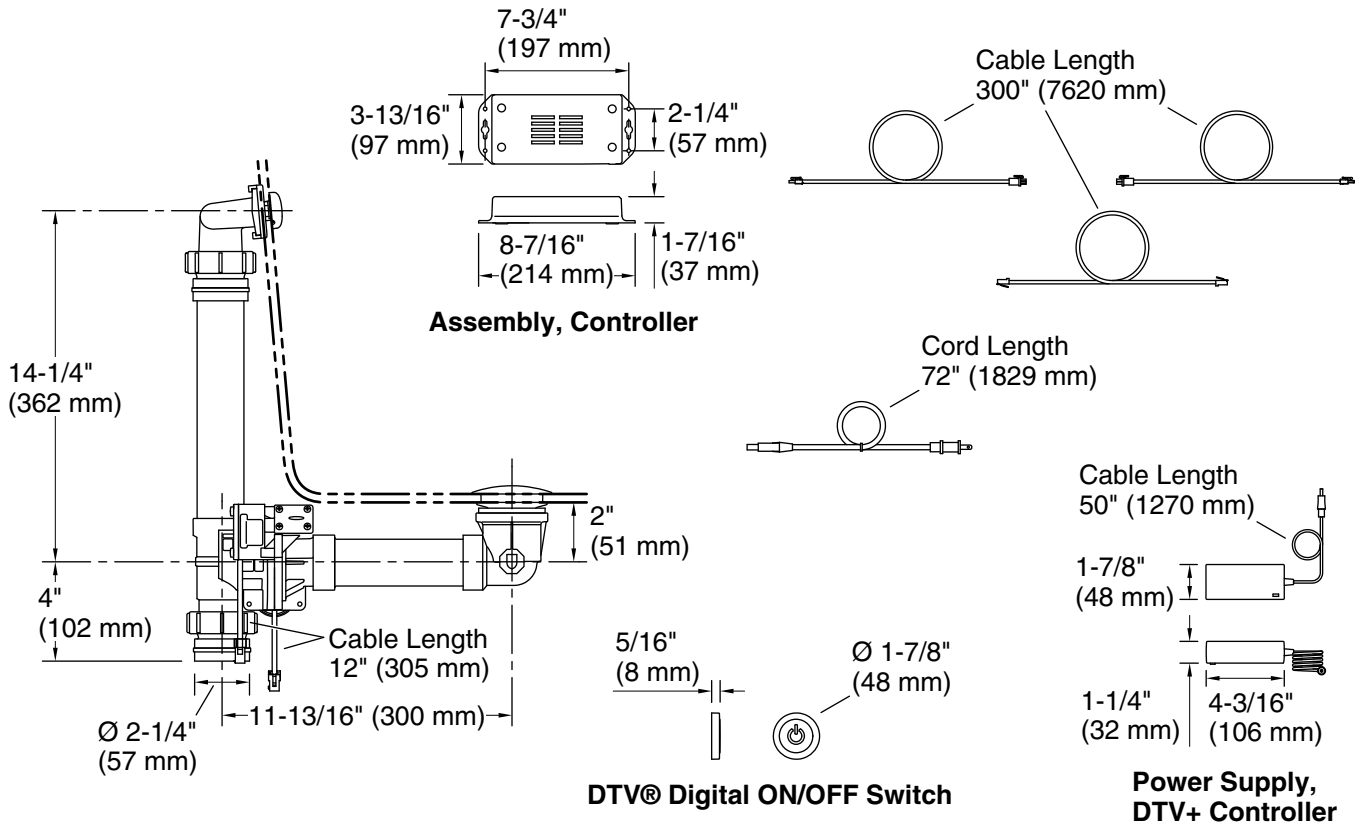


### Codes/Standards

ASME A112.18.2/CSA B125.2  
UL 1951  
CSA C22.2 No. 14  
CSA C22.2 No. 68

### KOHLER® One-Year Limited Warranty

See website for detailed warranty information.



### Technical Information

All product dimensions are nominal.

Drain included: Yes

### Notes

Install this product according to the installation guide.