



Stillness™ Experience

46" x 46" freestanding bath
K-31405-PFET

Features

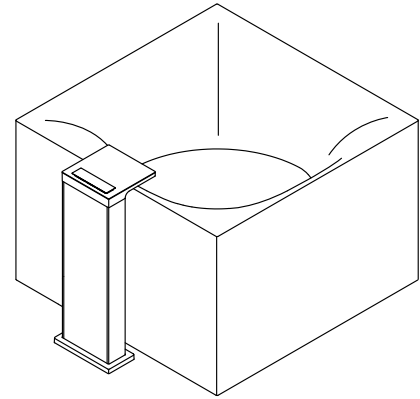
- Freestanding design creates a striking focal point in your bathing area
- 23-5/8" (600 mm) depth offers a deep soaking experience
- Integral lumbar support
- PerfectFill™ technology conveniently fills the bathtub from the bottom; no bath faucet or filler necessary
- Integrated drain and overflow
- Experience tower creates a sensory experience with programmable light, fog, and aroma settings
- Three stainless steel aroma wells allow essential oils to be infused into the fog for a customized aromatherapy experience
- AutoFill feature closes drain and fills bath to desired level and temperature; no monitoring necessary
- Remote control
- Freestanding bath stool handcrafted from Japanese Hinoki wood assures easy access to your bath (sold separately)

Material

- Acrylic

Installation

- Freestanding

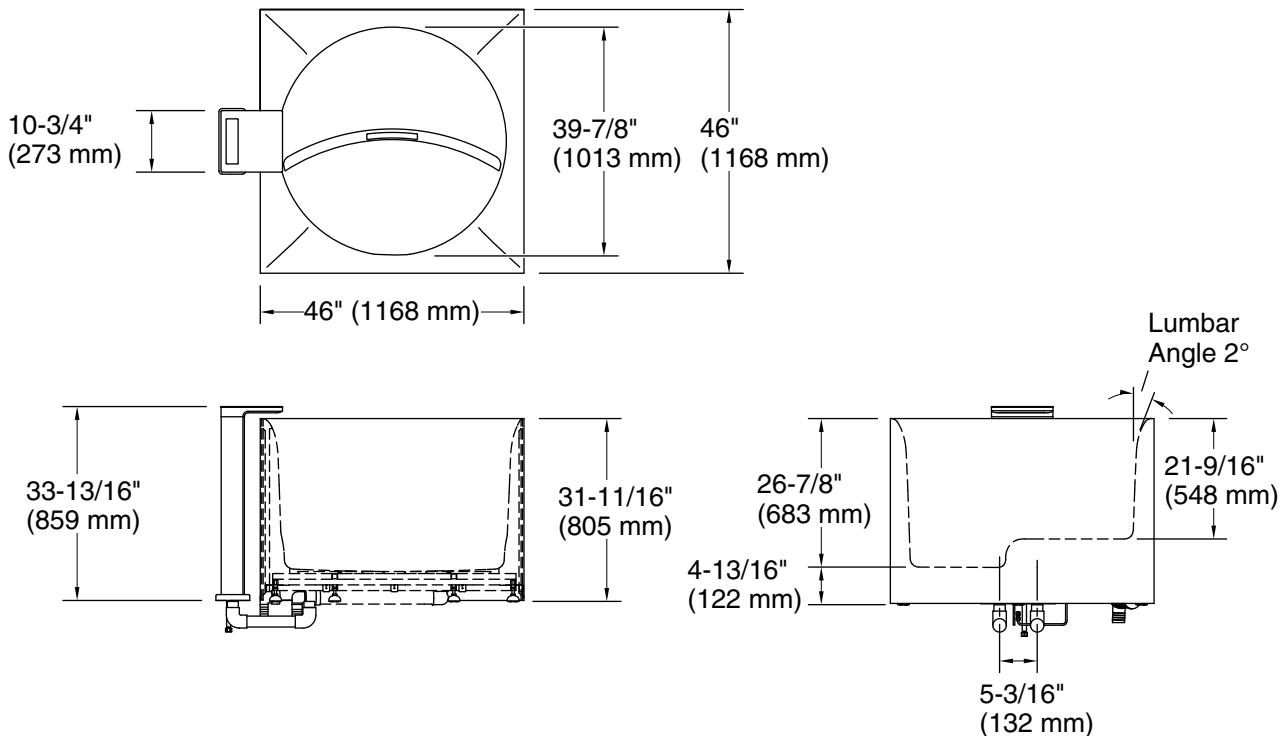


Codes/Standards

CSA B45.5/IAPMO Z124
ASTM E162
ASTM E662
UL 1795
CSA C22.2 No. 218.2

KOHLER® Plastic Baths and Shower Bases Lifetime Limited Warranty
KOHLER® Hydrotherapy Components Five-Year Limited Warranty

See website for detailed warranty information.



Required Electrical Service

Two circuits required, protected with Class A Ground-Fault Circuit-Interrupter (GFCI). Outside North America, this device may be known as a Residual Current Device (RCD).

Thermostatic valve: 120 V, 15 A, 60 Hz

Controller module: 120 V, 15 A, 60 Hz

Technical Information

All product dimensions are nominal.

Drain location: Center

Basin area, bottom: 38-15/16" x 38-15/16" (988 mm x 988 mm)

Basin area, top: 39-7/8" x 39-7/8" (1012 mm x 1012 mm)

Weight: 287 lbs (130.2 kg)

Water depth: 23-5/8" (600 mm)

Water capacity: 111.5 gal (422.1 L)

Template: 1522873-7, not required, included

Electrical component rating: Thermostatic valve: 120 V, .16 A, 60 Hz
Controller module: 120 V, 1.13 A, 60 Hz

Notes

Measure your actual product for rough-in details.

Install this product according to the installation instructions.

The hot water supply should be 70% of the capacity of the bath or greater. Installations will vary.

Open Air Floor Drain Connection Required For Tower Water Outlet.