

### Features

- High-arch swing spout with 120° rotation offers superior clearance for filling pitchers, chilling bottles and cleanup.
- 10-15/16" (278 mm) rotating spout.
- Single lever handle is simple to use and makes adjusting water temperature easy.
- Matching side sprayer provides flexibility and convenience for cleaning and food prep.
- Temperature memory allows faucet to be turned on and off at the temperature set during prior usage.
- KOHLER ceramic disc valves exceed industry longevity standards for a lifetime of durable performance.
- 1.5 gpm (5.7 lpm) maximum flow rate at 60 psi (4.14 bar).

### Material

- Premium material construction for durability and reliability.
- KOHLER finishes resist corrosion and tarnishing.

### Installation

- Two-hole installation (three-hole escutcheon included).
- Flexible supply lines simplify installation.

### Adapters, Rough-in and Extension Kits

1327990

Range: 2-1/2" (64 mm) -  
4-5/8" (117 mm)



ADA

CSA B651

### Codes/Standards

ASME A112.18.1/CSA B125.1

NSF/ANSI/CAN 61

NSF/ANSI/CAN 372

All applicable US Federal and State material regulations

DOE - Energy Policy Act 1992

California Energy Commission (CEC)

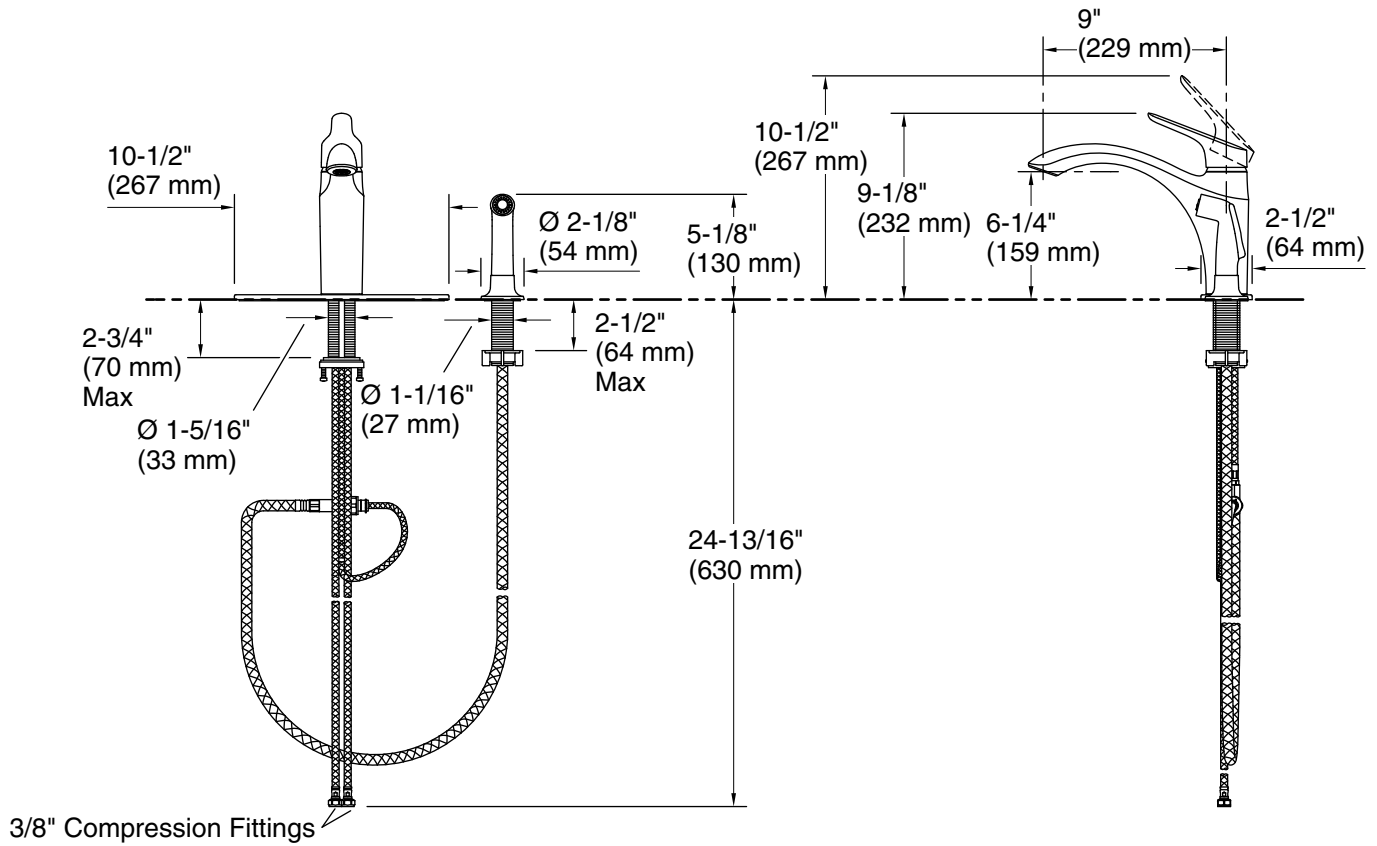
ADA

ICC/ANSI A117.1

CSA B651

### KOHLER<sup>®</sup> Faucet Lifetime Limited Warranty

See website for detailed warranty information.



**Technical Information**

All product dimensions are nominal.

Drain included: No

**Notes**

ADA, CSA B651 compliant when installed to the specific requirements of these regulations.