

### Features

- Brass construction.
- Deck- or bath-mount.
- For use with a handshower (sold separately).
- Coordinates with Purist® and Stillness® faucets and accessories.



### Codes/Standards

ASME A112.18.1/CSA B125.1

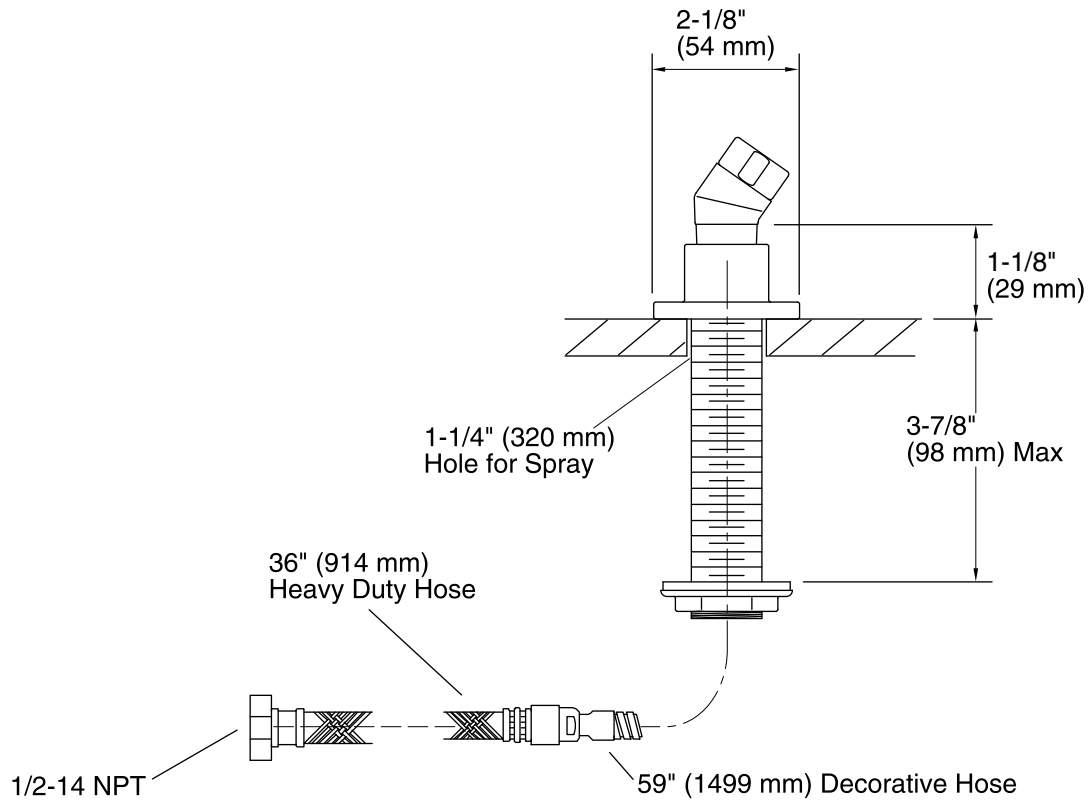
### KOHLER® Faucet Lifetime Limited Warranty

See website for detailed warranty information.

### Available Color/Finishes

*Color tiles intended for reference only.*

Color	Code	Description
	CP	Polished Chrome
	SN	Vibrant® Polished Nickel
	BGD	Vibrant® Moderne Brushed Gold
	BN	Vibrant® Brushed Nickel
	BV	Vibrant® Brushed Bronze
	BL	Matte Black



### Technical Information

All product dimensions are nominal.

### Notes

Install this product according to the installation guide.