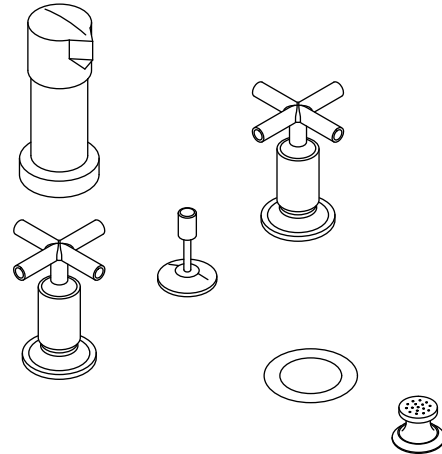


**BIDET FAUCET  
K-14431**

**Features**

- Metal construction
- Flexible connections for easy installation
- Brass valve bodies
- Pop-up drain with lift rod and tailpiece
- Variety of handle style options
- Vertical spray
- Fixture-mount transfer valve/vacuum breaker
- Cross handles
- ADA compliant lever handles
- Quarter-turn washerless ceramic disc valves



**Codes/Standards Applicable**



Specified model meets or exceeds the following:

- ASME A112.18.1/CSA B125.1
- ASSE 1001

**Colors/Finishes**

- CP: Polished Chrome
- PB: Vibrant® Polished Brass
- Other: Refer to Price Book for additional colors/finishes

**Specified Model**

Model	Description				
		<input type="checkbox"/> CP	<input type="checkbox"/> Other_____	<input type="checkbox"/> CP	<input type="checkbox"/> Other_____
K-14431-3	Bidet faucet with cross handle (shown)	<input type="checkbox"/> CP	<input type="checkbox"/> Other_____		
K-14431-4	Bidet faucet with lever handle			<input type="checkbox"/> CP	<input type="checkbox"/> Other_____

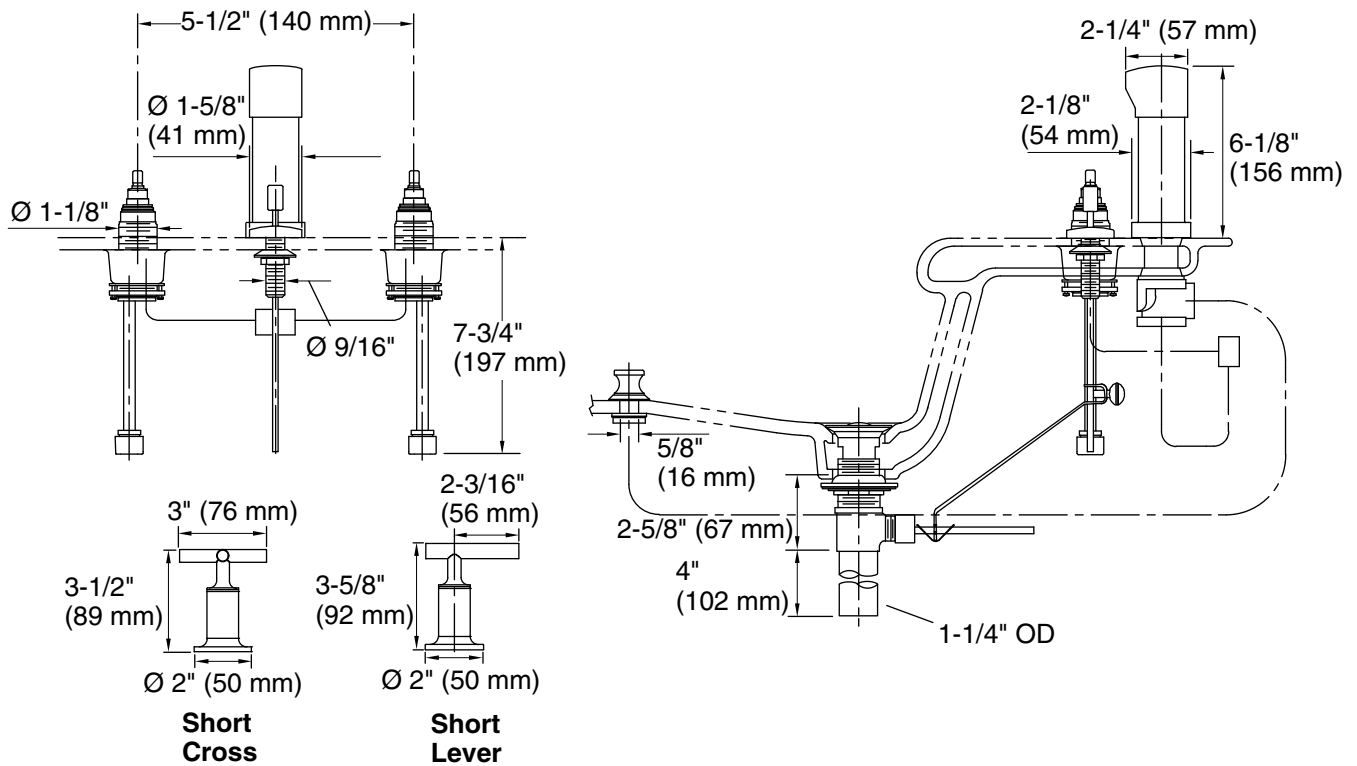
**Product Specification**

Two-handle fixture-mount bidet faucet shall be of metal construction. Faucet shall feature brass valve bodies. Faucet shall feature quarter-turn washerless ceramic disc valves. Product shall include flexible connections for easy installations, pop-up drain with lift rod and tailpiece, handles, vertical spray, and fixture-mount valve/vacuum breaker. Faucet shall be Kohler Model K-14431-\_\_\_\_\_-\_\_\_\_\_.

# PURIST®

## Installation Notes

Install this product according to the installation guide.



## Product Diagram