

Installation Instructions

Sliding Shower Door

Record your model number:
Noter le numéro de modèle:
Anoté su número de modelo: _____

Français, page 28
Español, página 55

KOHLER®

Thank You for Choosing KOHLER

Need help? Contact our Customer Care Center.

USA/Canada: 1-800-4KOHLER (1-800-456-4537)

Mexico: 001-800-456-4537

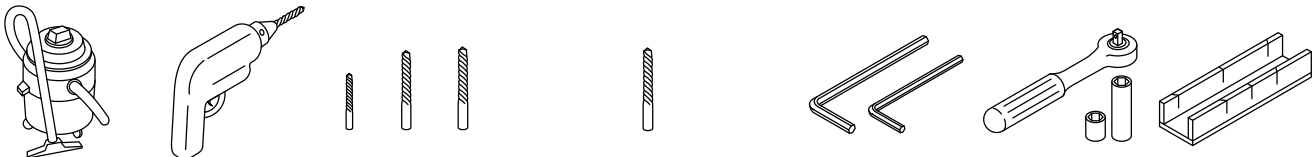
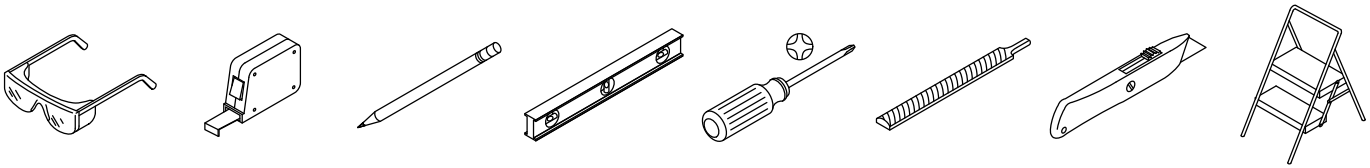
For service parts information, visit kohler.com/serviceparts.

For care and cleaning information, visit kohler.com/clean.

Warranty

This product is covered under the KOHLER® One-Year Limited Warranty, found at kohler.com/warranty. For a hardcopy of warranty terms, contact the Customer Care Center.

Tools and Materials









1/8", 3/8", 1/4" 1/4" Masonry Bit for Tile 5/32", 3/16" 3/4" Socket Miter Box



32-Teeth Per Inch Blade Masking Tape 100% Silicone Sealant

Before You Begin

-  **WARNING: Risk of serious injury.** Damage before installation can result in glass shattering. Inspect the glass and all parts for damage before installation.
-  **WARNING: Risk of serious injury.** Improper installation can result in glass shattering. Follow all installation instructions.
-  **WARNING: Risk of serious injury.** Do not cut tempered glass. Tempered glass will shatter if cut.
-  **WARNING: Risk of serious injury.** Shower door panels can shatter. Regularly inspect the glass and all parts for damage, missing or loose parts.
-  **WARNING: Risk of serious injury.** Always wear safety glasses while cutting and drilling.
-  **CAUTION: Risk of personal injury.** Tempered glass should not contact hard surfaces or it may shatter. Do not touch the edge of the tempered glass panel with tools or any hard objects.

IMPORTANT! Leave this manual for the end user. Read these instructions before installing or using this product.

IMPORTANT! This door is designed to accommodate walls that are less than 3/8" (10 mm) out of plumb. Verify the area the door will be attached to is within 3/8" (10 mm) of plumb. The door may not function properly if the wall is more than 3/8" (10 mm) out of plumb.

IMPORTANT! Do not remove the corner protectors from the door panels until the door panels are installed.

Cover the drain with tape to avoid loss of small parts.

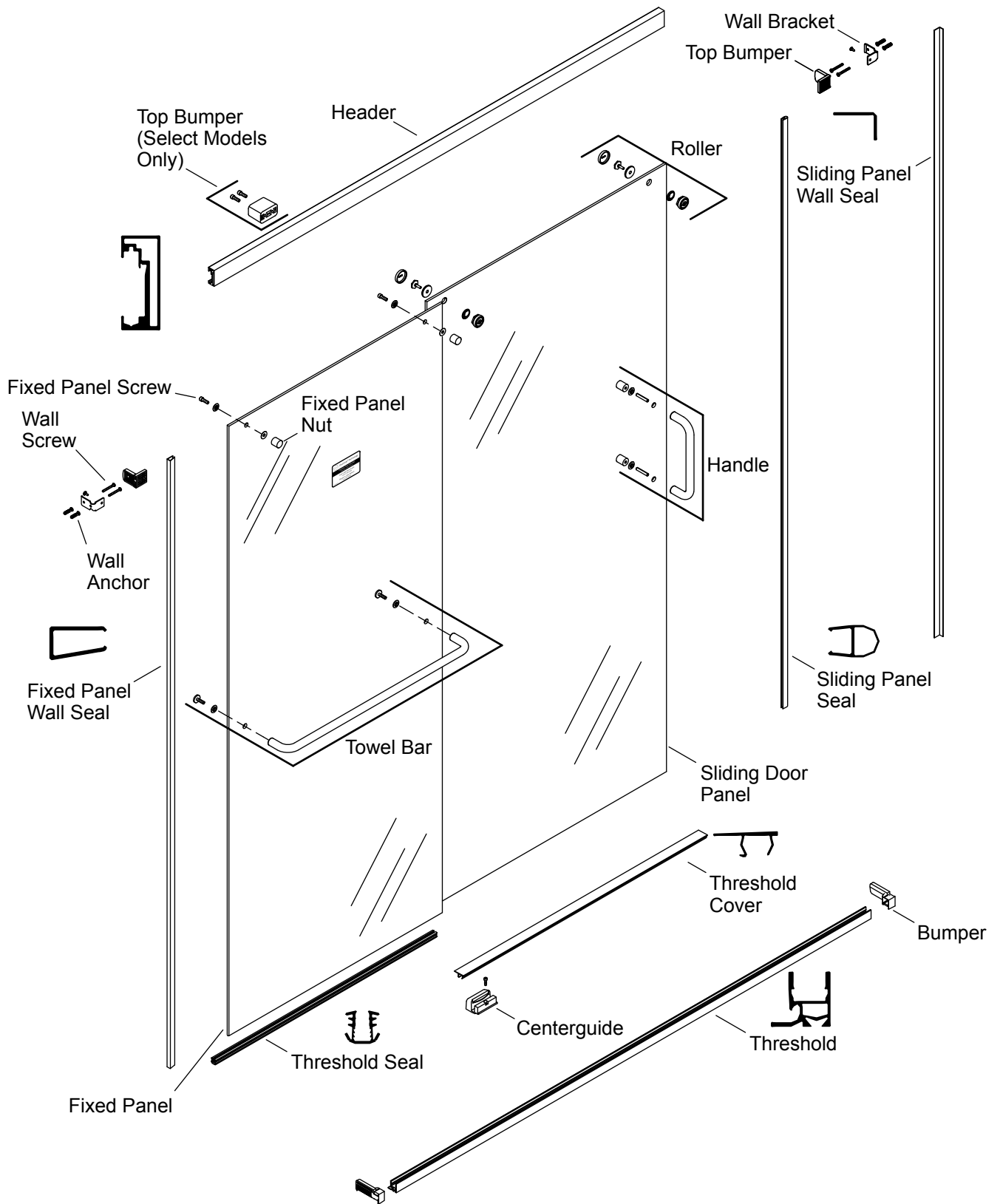
Identify all parts before installation.

Follow the silicone sealant manufacturer's instructions for application and curing time.

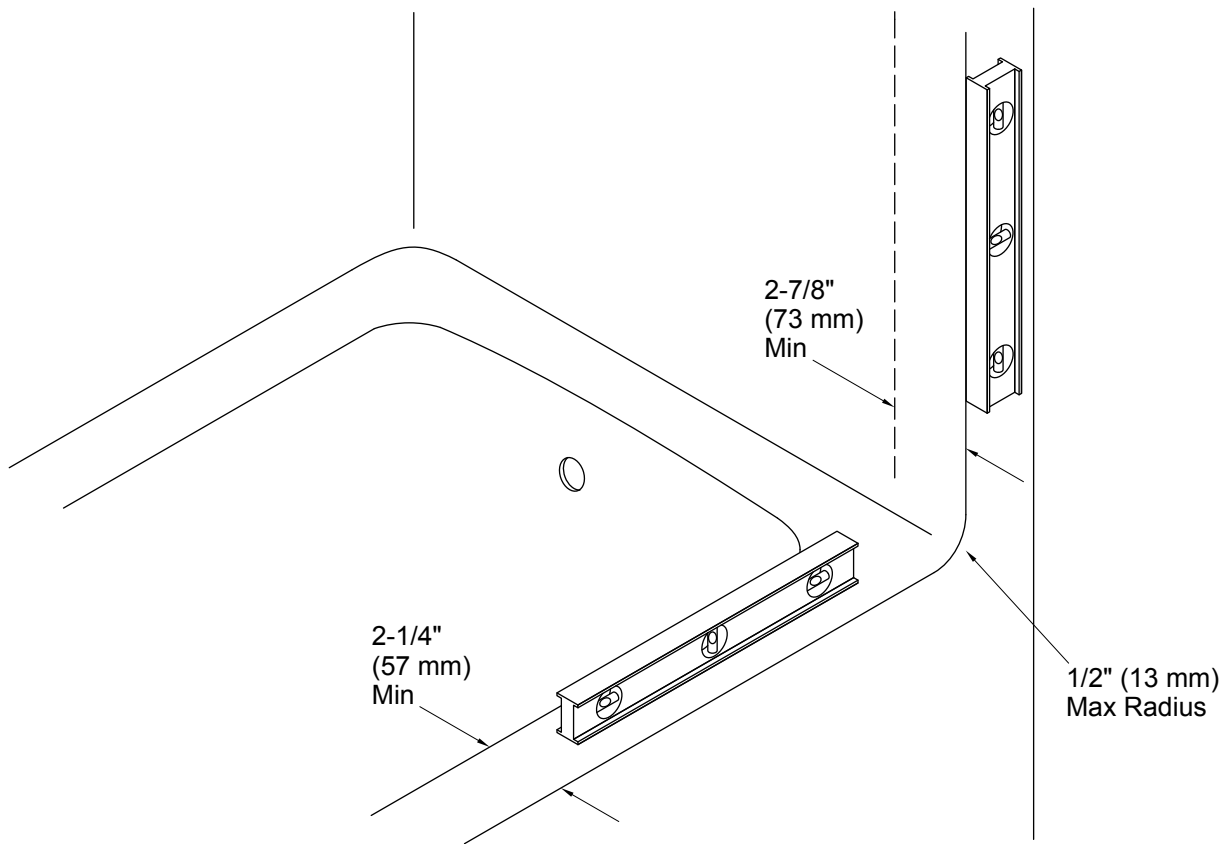
Two people should perform this installation.

The fixed panel should be installed on the opposite side of the showerhead.

Parts Identification



1. Confirm Ledge and Wall Compatibility



IMPORTANT! For proper door alignment and operation, confirm that the shower base/bath ledge and walls meet the following requirements. Do not install the door if these requirements are not met.

There must be at least 2-7/8" (73 mm) of flat surface on the shower base/bath walls.

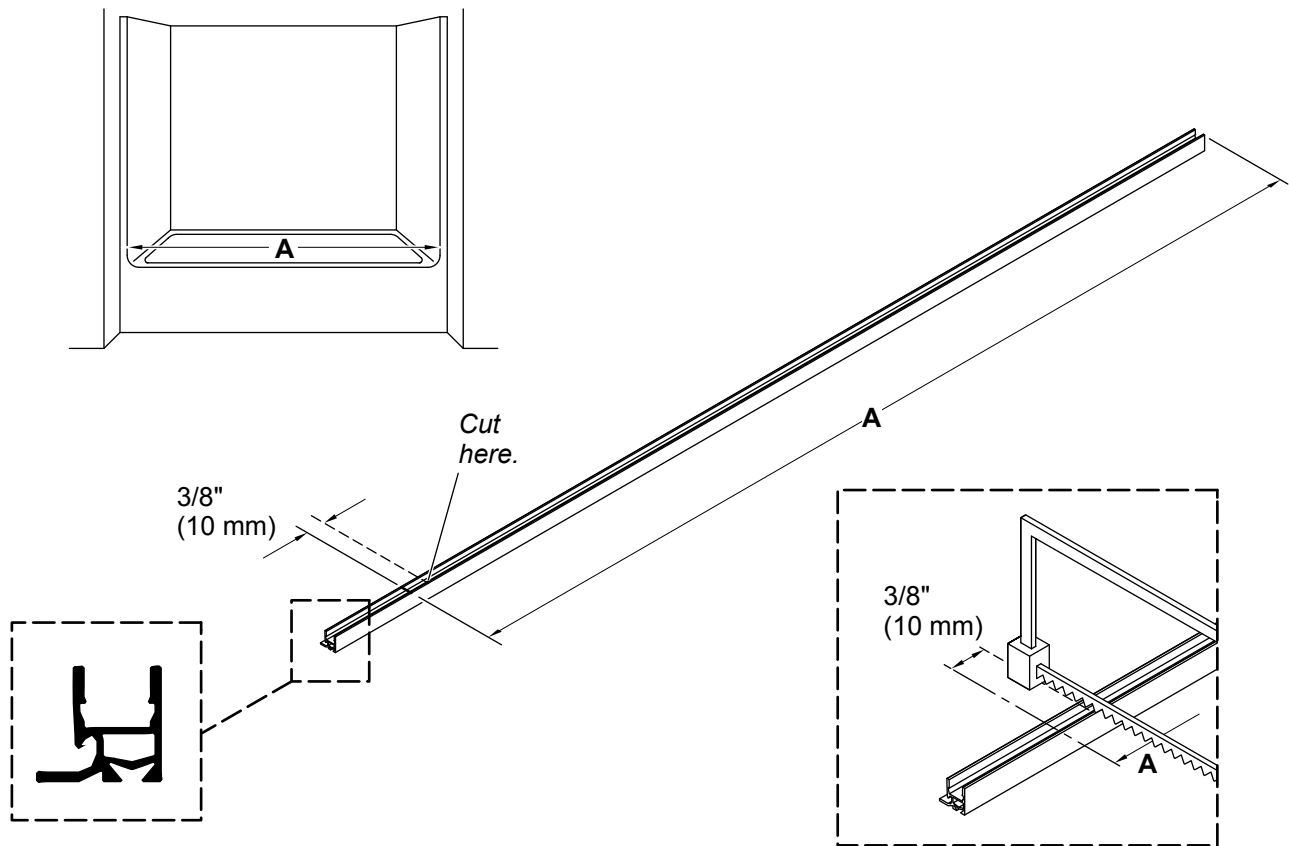
There must be at least 2-1/4" (57 mm) of flat surface on the shower base/bath ledge.

Walls must be within 3/8" (10 mm) of plumb.

The shower base/bath ledge must be level between the walls.

The radius of the shower base/bath ledge where it meets the wall must be 1/2" (13 mm) or less.

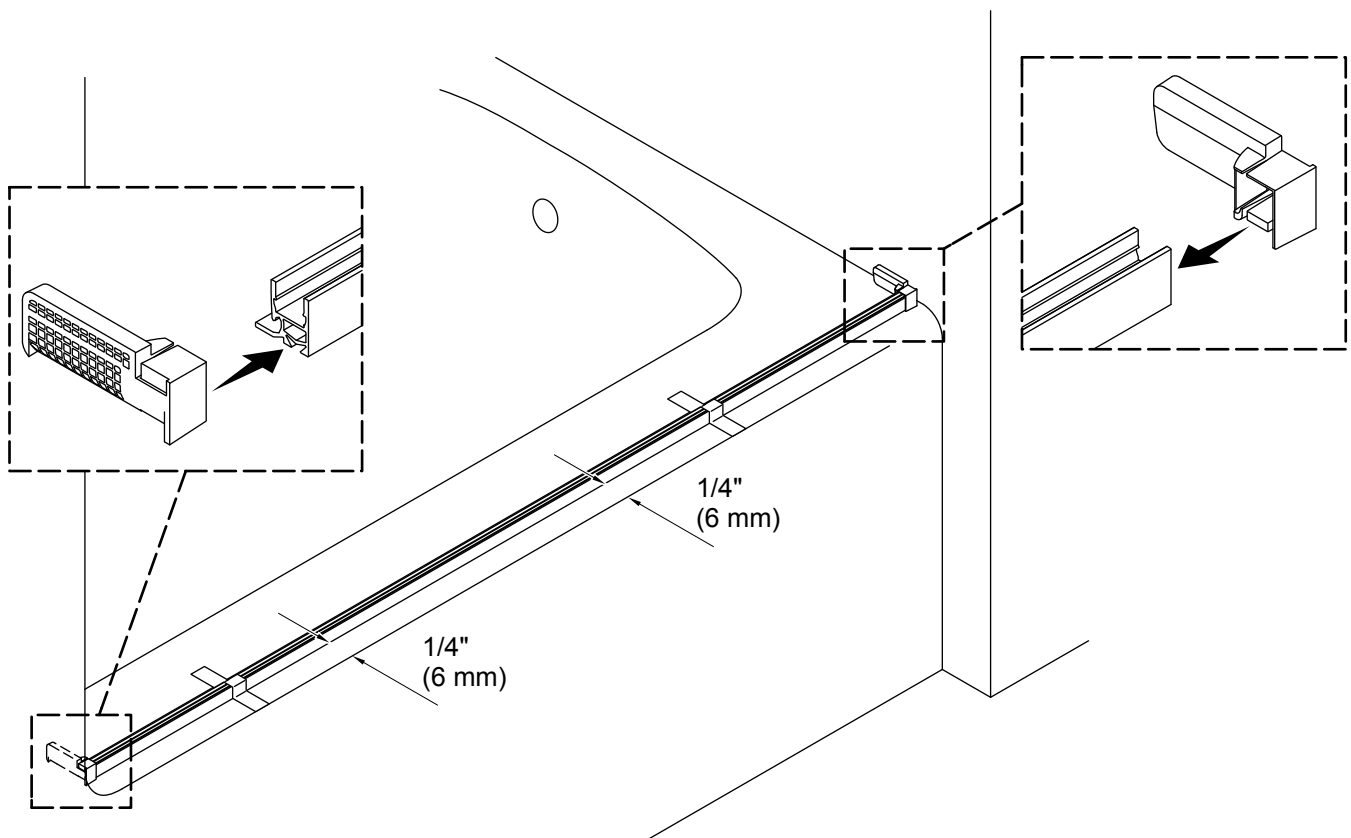
2. Measure and Cut the Threshold



⚠ WARNING: Risk of serious injury. Always wear safety glasses while cutting and drilling.

- Use a drop cloth to protect the shower surface.
- Measure distance "A" between the shower walls and mark it on the threshold.
- Measure 3/8" (10 mm) from "A" and make a second mark on the threshold, as shown.
- Cut the threshold at the second mark and file any rough edges.

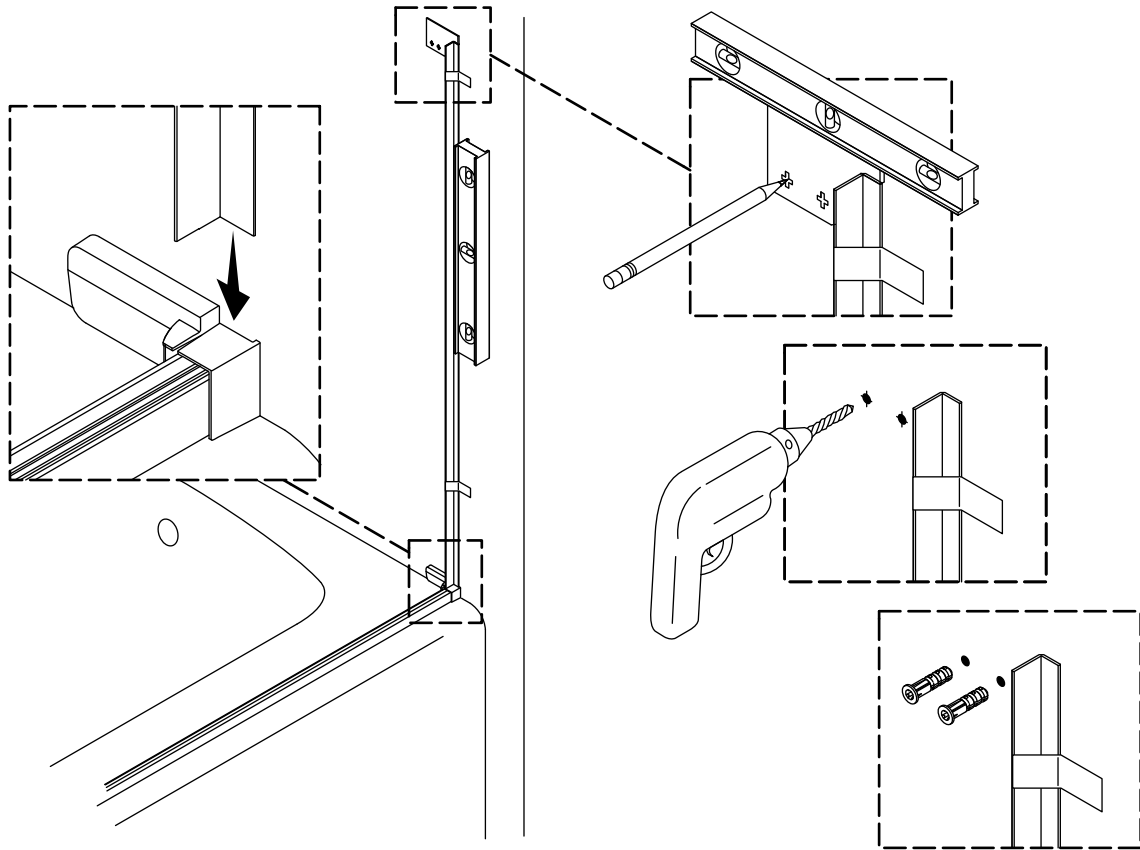
3. Position the Threshold



NOTICE: The threshold must sit on a flat surface.

- If needed, file the ends of the threshold to match the corner radius of the shower wall.
- If needed, trim the bumpers to match the corner radius of the shower wall.
- Press the bumpers onto the ends of the threshold.
- Align the threshold 1/4" (6 mm) from the shower base/bath ledge along the entire length and mark its location.
- Tape the threshold securely in place along the mark, centered between the walls.
- Press the bumpers against the walls if there is a gap.

4. Mark and Drill the Wall Bracket Holes



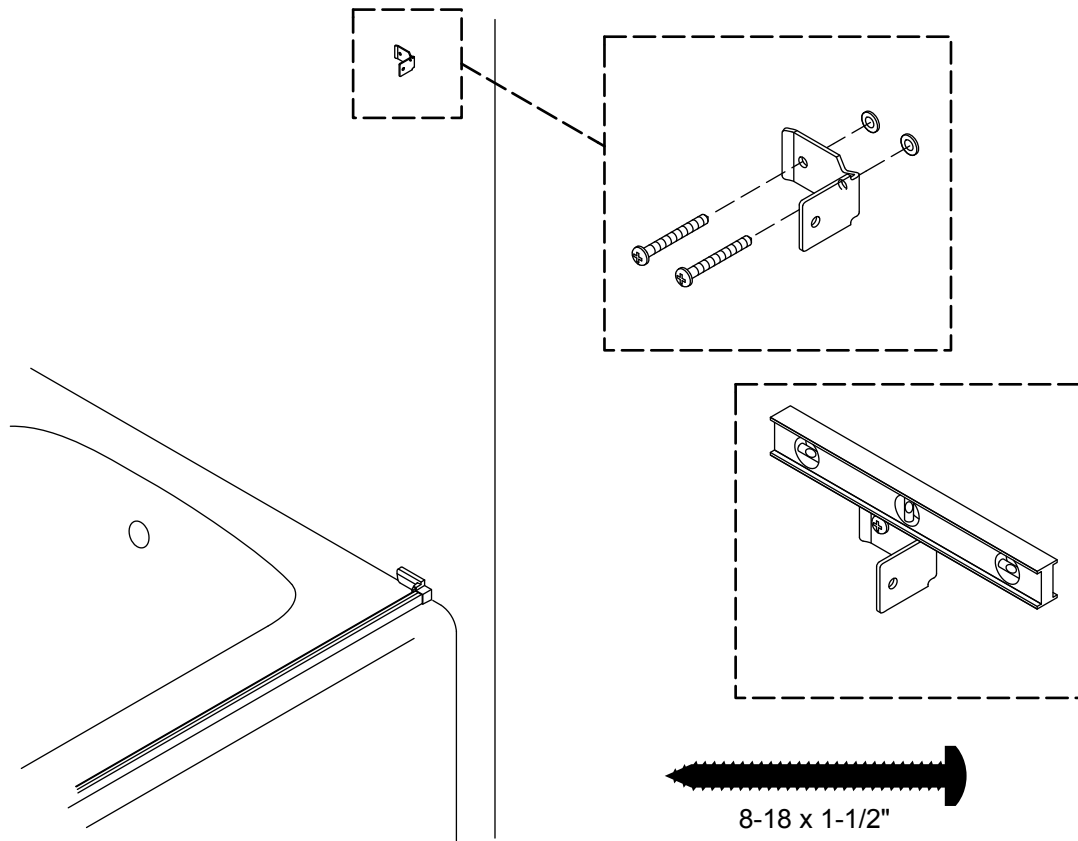
IMPORTANT! The wall seal must be level and plumb for proper header installation.

IMPORTANT! The sliding panel wall seal will be used to measure the wall bracket holes on both sides of the shower.

IMPORTANT! Hole locations for the wall brackets are critical. Make sure the holes are properly marked and drilled straight into the wall.

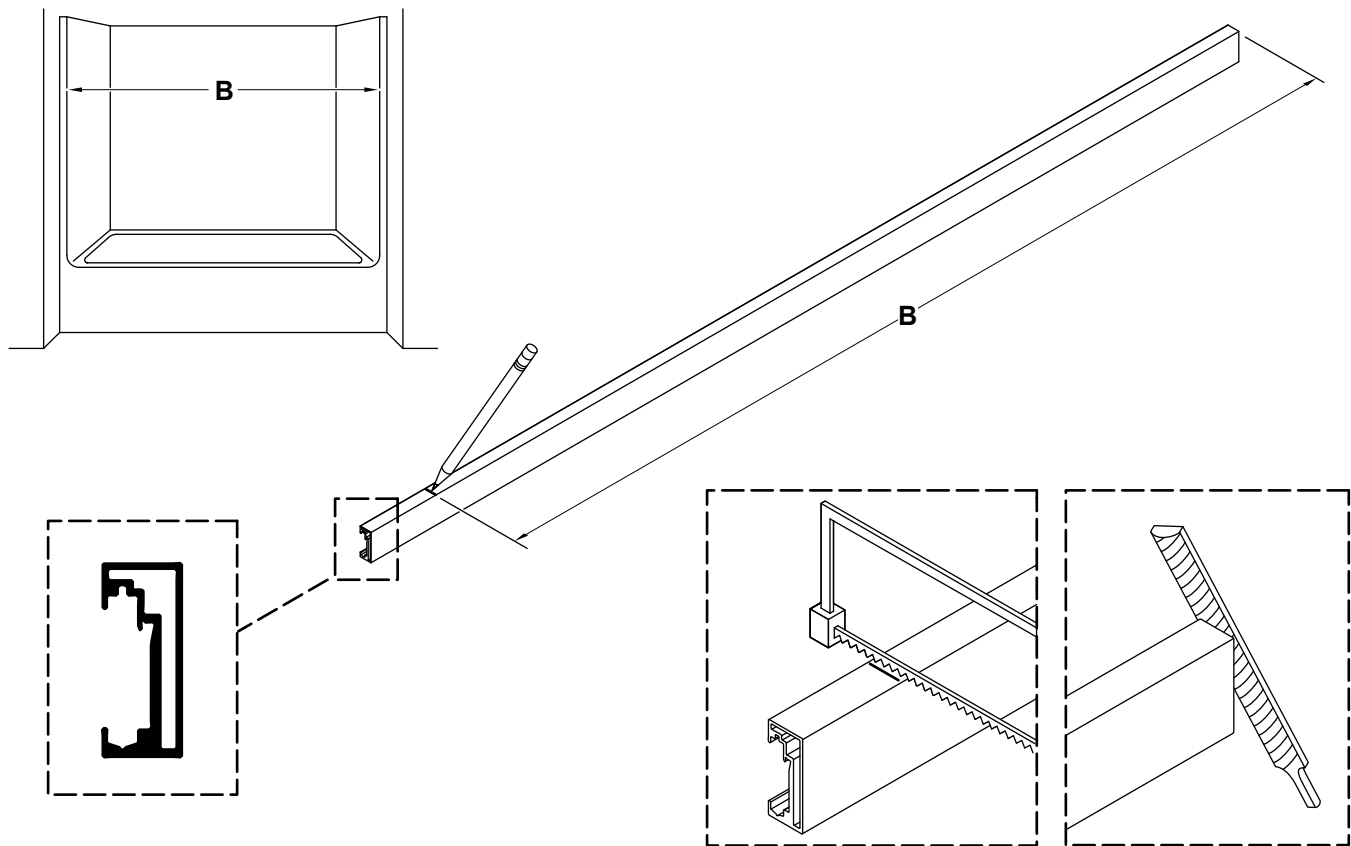
- Insert the sliding panel wall seal into the L-shaped channel on the sliding panel side bumper.
- Using a level and masking tape, secure the seal to the wall.
- Verify that the wall seal is level and plumb.
- Position the drill template over the wall seal, pointing into the shower as shown.
- Verify that the template is fully seated over the wall seal, flat against the wall, and level.
- Mark the hole locations and remove the template.
- Drill 1/4" holes straight into the wall at the marked locations. **Make sure the drill is not at an angle when drilling.**
- Install the provided wall anchors. Make sure the anchors are fully seated into the wall.
- Repeat for the opposite wall using the same sliding panel wall seal.

5. Install the Wall Brackets



- Remove the wall seals and set aside.
- Position the wall bracket over the wall anchors with the leg toward the outside of the shower.
- Secure the bracket using two #8-18 x 1-1/2" screws (provided).
- Verify that the wall bracket is level. Loosen the screws and adjust the position if needed.
- Repeat for the opposite wall.

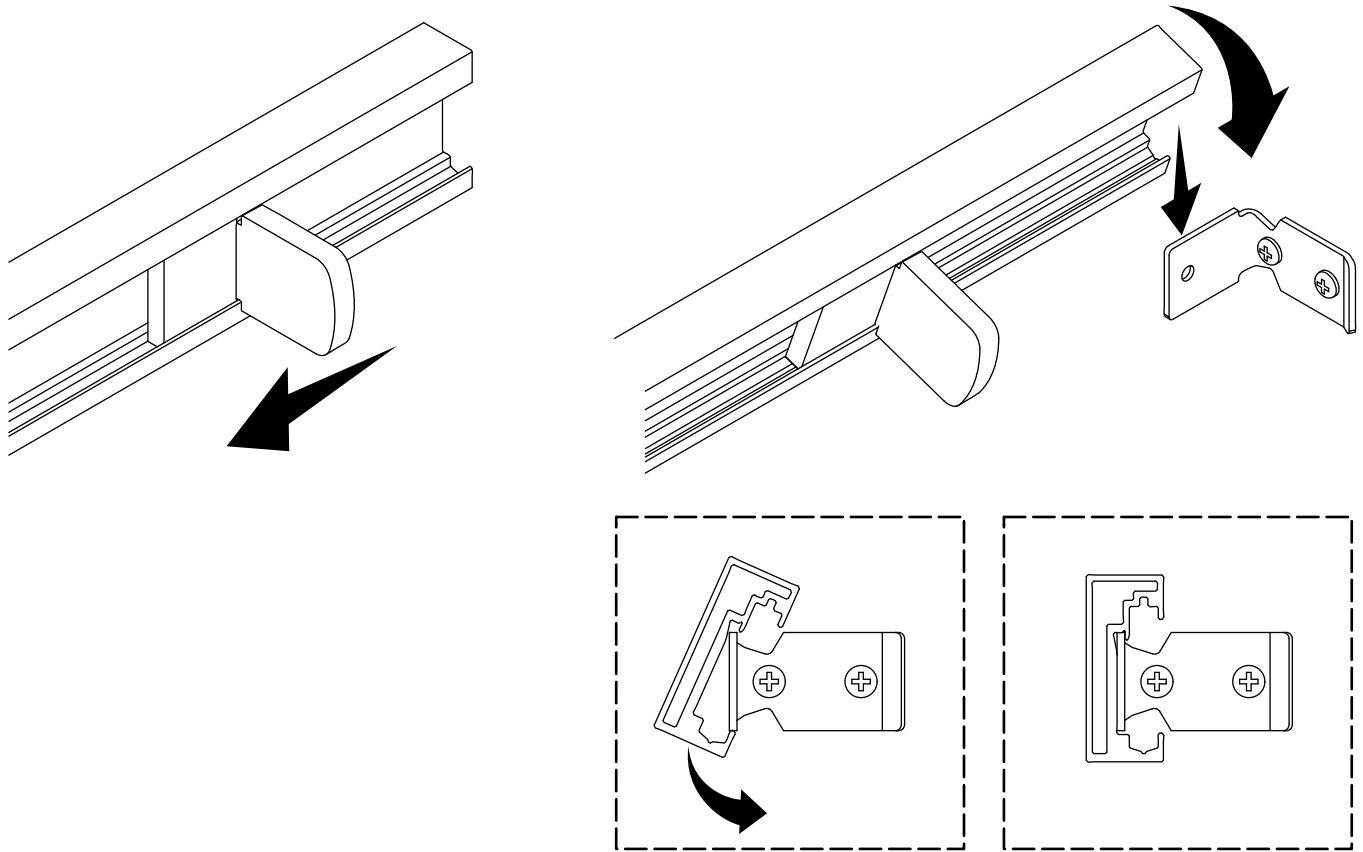
6. Measure and Cut the Header



IMPORTANT! Confirm your measurements before cutting. Do not cut the header too short.

- Measure distance "B" between the shower walls and mark it on the header.
- Using a hand saw, cut the header just inside the marked line.
- File any rough edges and clean debris from the roller tracks.
- With help, move the sliding panel into the shower area before installing the header. **Do not remove the corner protectors.**

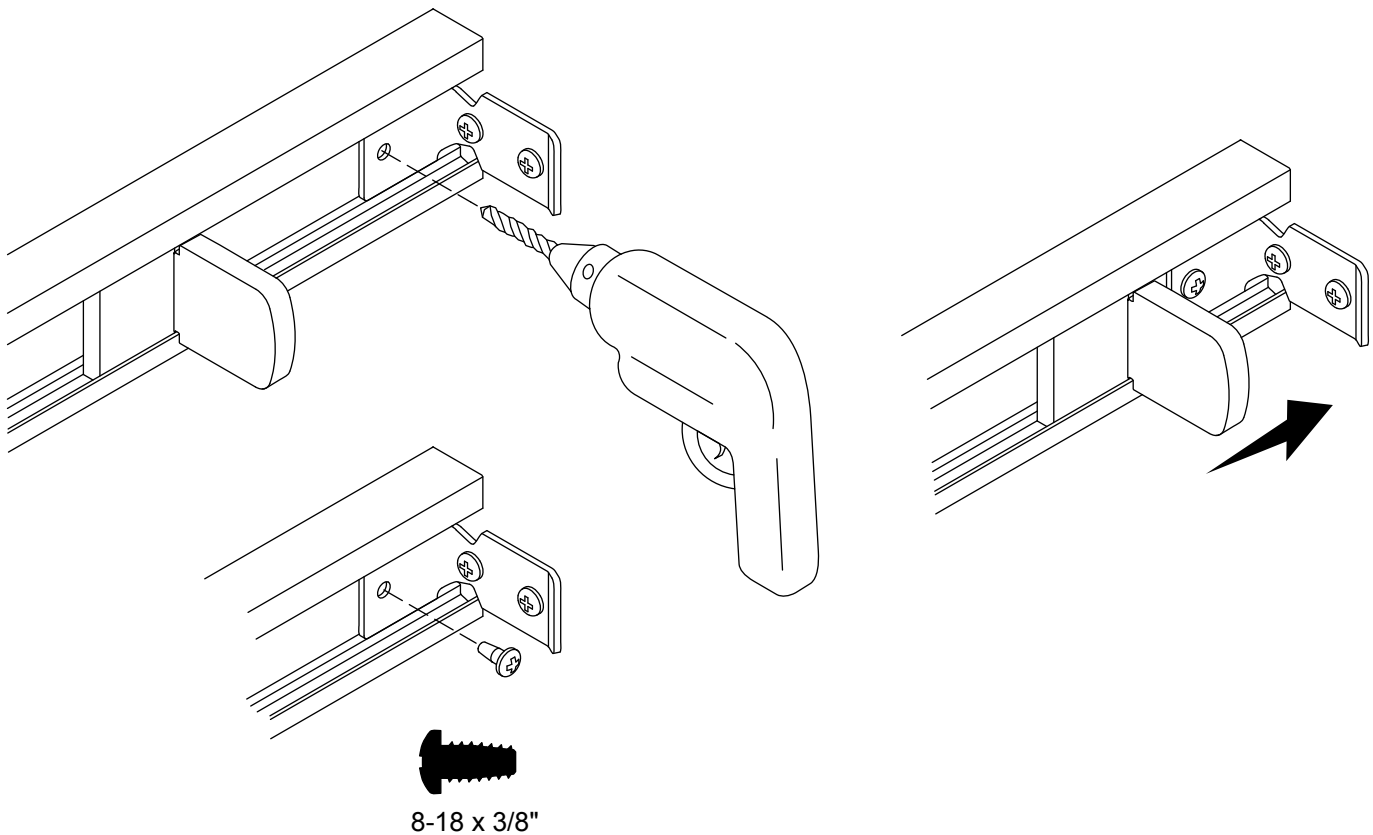
7. Position the Header



⚠ CAUTION: Risk of product damage. The header may fall if not properly positioned onto the wall brackets. Make sure that the top of the header is properly hooked onto the brackets.

- Slide a bumper into each end of the header, as shown.
- From inside the shower, raise the header above the wall brackets.
- Tilt the header and lower it onto the wall brackets, as shown.
- Make sure that the top of the header is properly hooked onto the brackets, as shown.
- Rotate the header in place, flat against the wall brackets.

8. Secure the Header

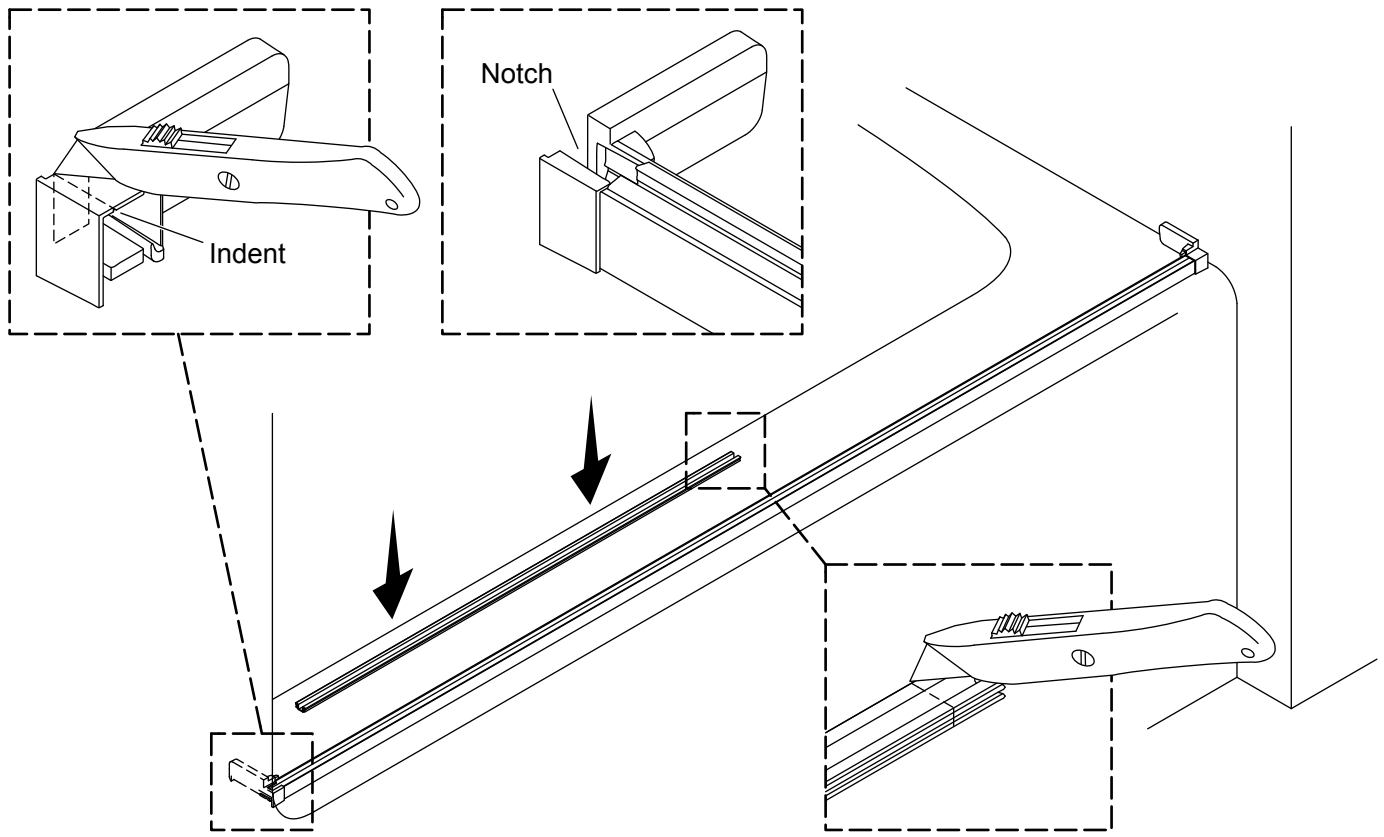


⚠ CAUTION: Risk of personal injury. Position hands away from the drilling locations when drilling through the header.

⚠ CAUTION: Risk of product damage. When securing the header to each wall bracket, do not drill through the second wall of the header.

- From inside the shower, drill a 9/64" hole through the first wall of the header using the wall bracket as a template.
- Repeat for the other side.
- Secure the header to each wall bracket using a #8-18 x 3/8" self-drilling screw (provided).
- Thoroughly clean the header. Make sure there is no debris in the roller tracks.
- Slide each bumper flush against the wall until clicked onto the bracket.

9. Install the Threshold Seal

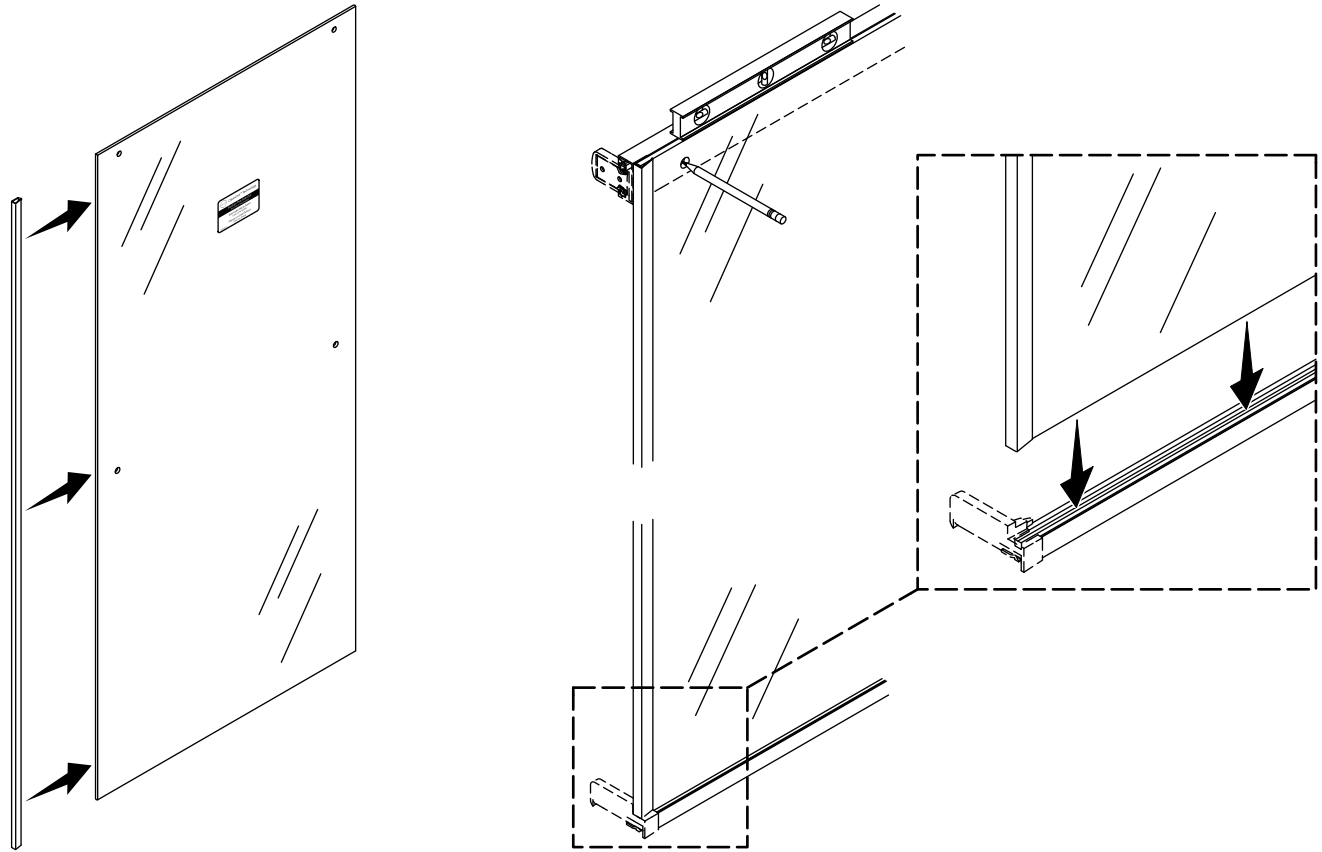


⚠ CAUTION: Risk of product damage. A notch is required on the bumper for the fixed panel side only. An indent on the inside top of the bumper indicates where the notch should be cut. **Do not cut a notch in the bumper for the sliding panel side.**

NOTE: The fixed panel should be installed on the opposite side of the showerhead.

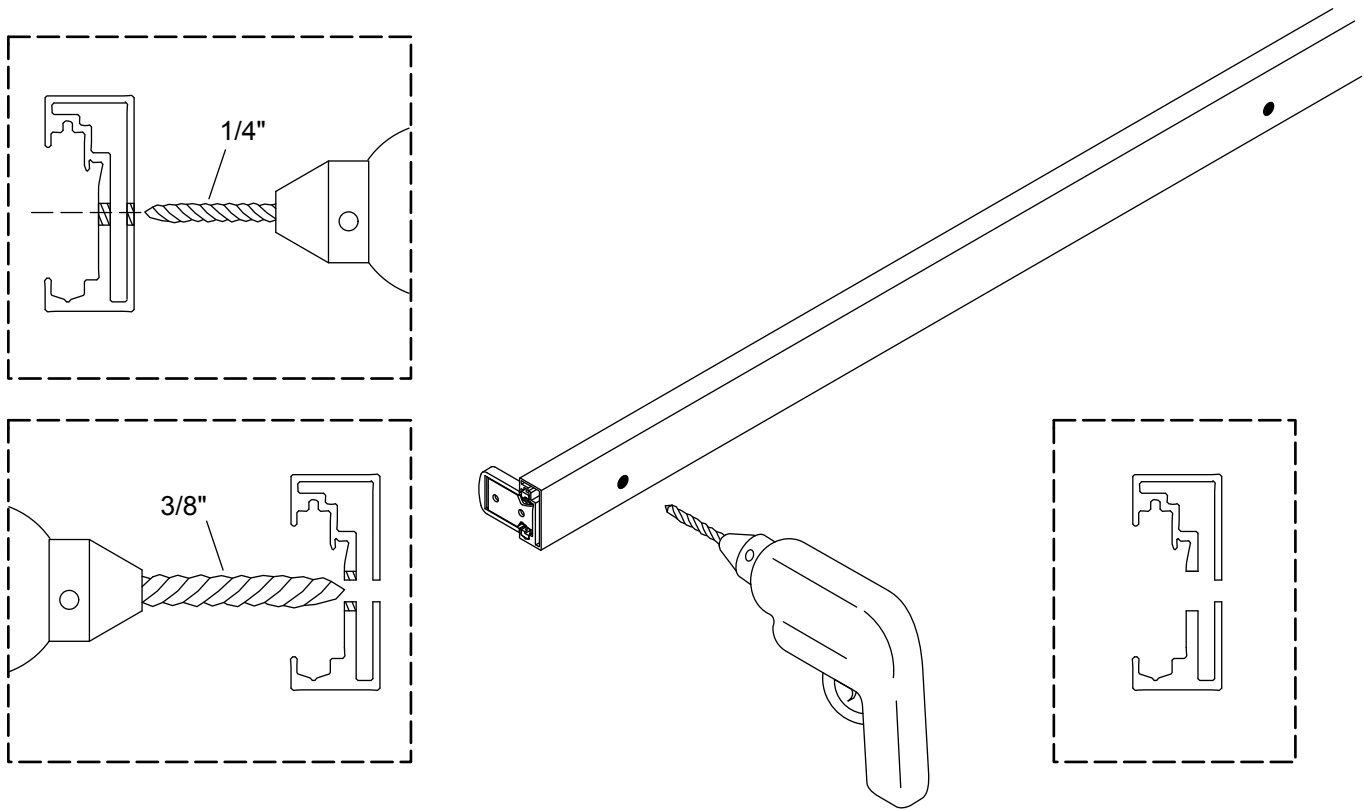
- Remove the fixed panel side bumper.
- Cut a notch in the fixed panel side bumper along the indent on the inside top of the bumper.
- Reinstall the fixed panel side bumper.
- Measure the bottom length of the fixed panel and subtract 5/8" (16 mm).
- Mark the measurement on the threshold seal and cut to length.
- Slide the threshold seal into the channel of the threshold and align the seal with the front of the bumper.
- Press the remainder of the threshold seal into the groove on the threshold.

10. Prepare the Fixed Panel



- Remove the corner protectors from the fixed panel.
- Align the top of the fixed panel wall seal with the top of the wall side edge of the fixed panel. Do not remove the adhesive backing at this time.
- Verify that the label on the panel will face the outside of the shower, then press the seal onto the panel.
- Place the fixed panel into the channel in the threshold seal and lean the top of the panel against the header.
- Verify that the top of the header and the top of the fixed panel are aligned.
- Slide the fixed panel against the wall.
- Mark the fixed panel hole locations onto the header.
- Carefully remove the fixed panel and set aside in a safe location.

11. Drill the Header Holes

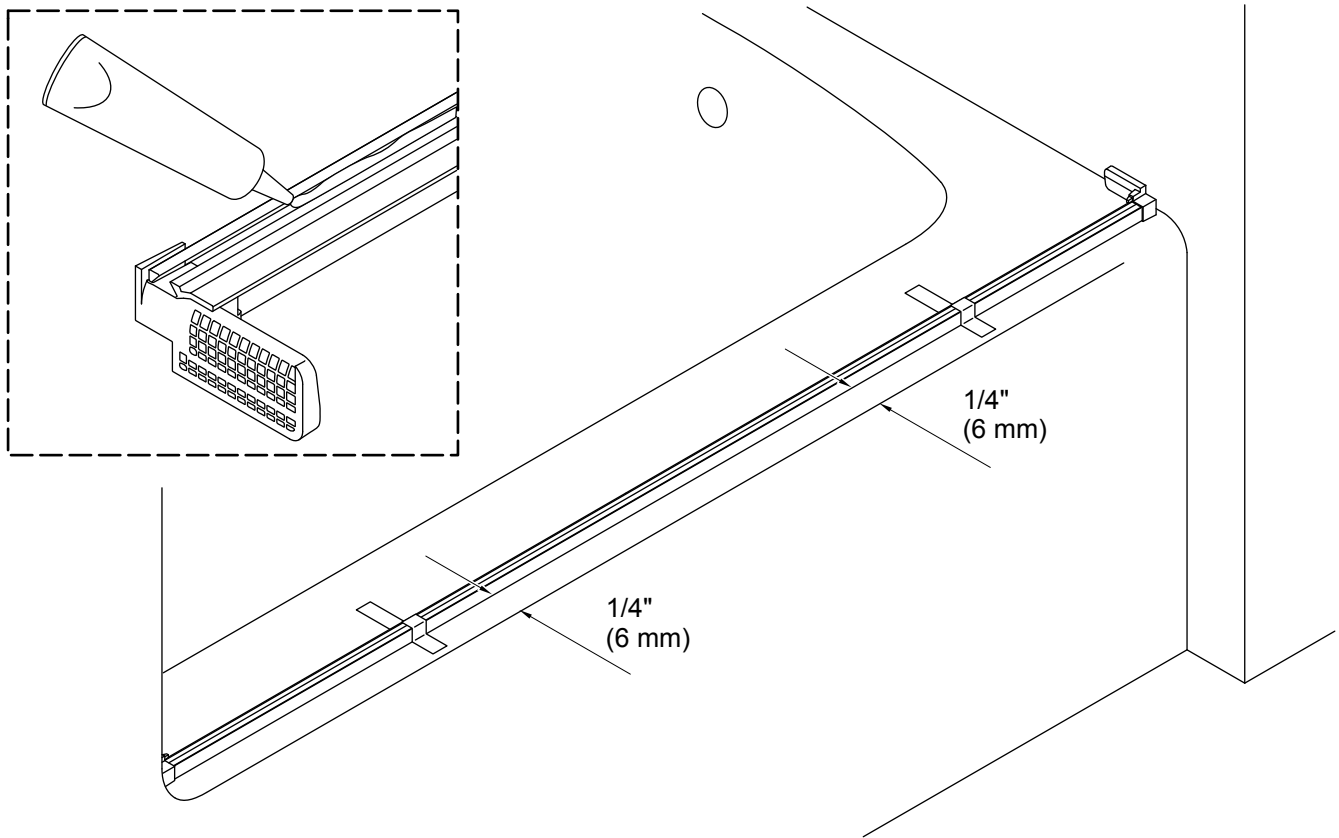


⚠ CAUTION: Risk of personal injury. Position hands away from the drilling locations when drilling through the header.

⚠ CAUTION: Risk of product damage. The roller tracks must be free of debris. Thoroughly clean the header after drilling.

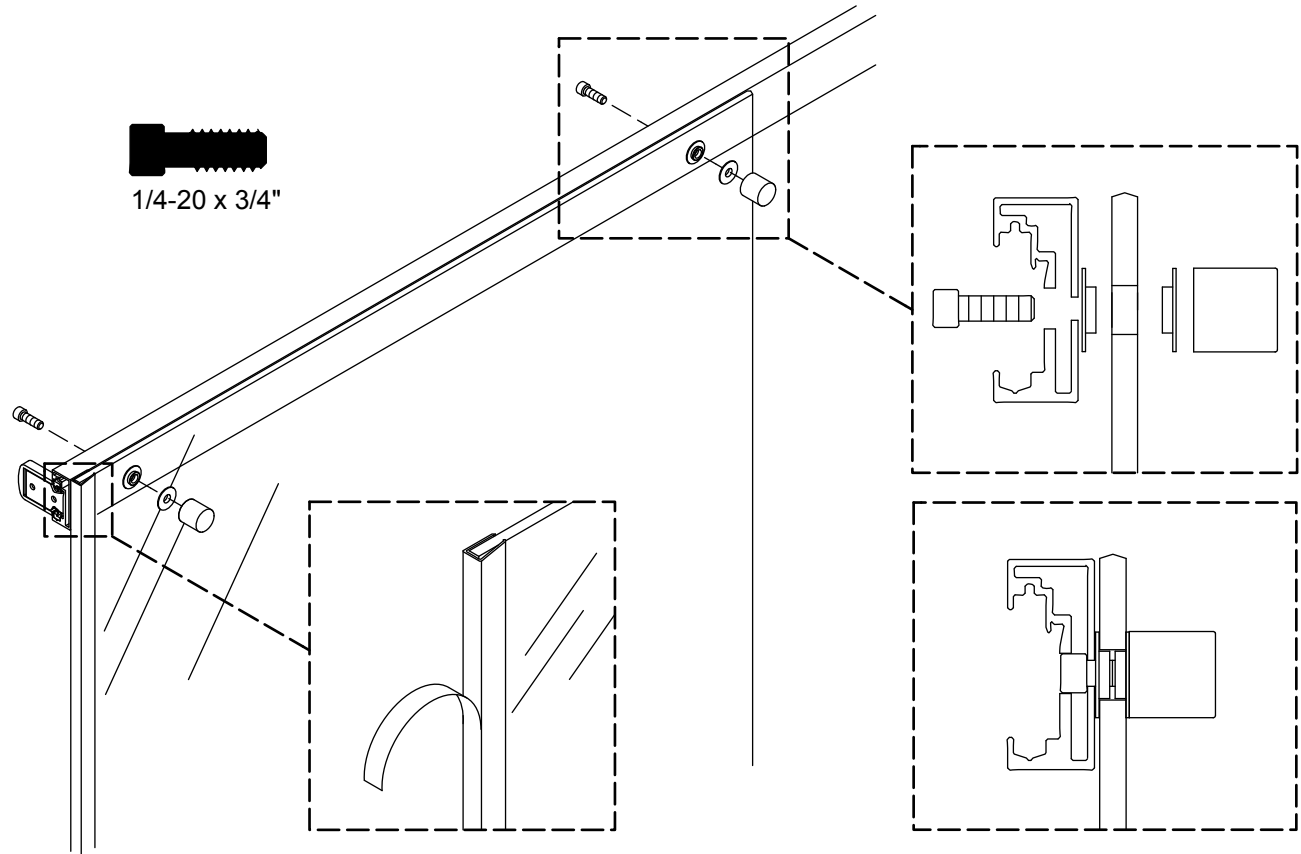
- Drill 1/4" holes through both walls of the header at the marked locations.
- From the inside of the shower, use a 3/8" drill bit to enlarge the 1/4" holes on the back wall of the header. **Do not drill through the holes on the front wall of the header.**
- Thoroughly clean the header. Make sure there is no debris in the roller tracks.

12. Install the Threshold



- Verify that the threshold location is marked on the shower base/bath ledge.
- Remove the threshold.
- Thoroughly clean the ledge and shower area before proceeding.
- Apply 100% silicone sealant into the groove on the bottom of the threshold.
- Tape the threshold securely in place in the previous location.

13. Install the Fixed Panel

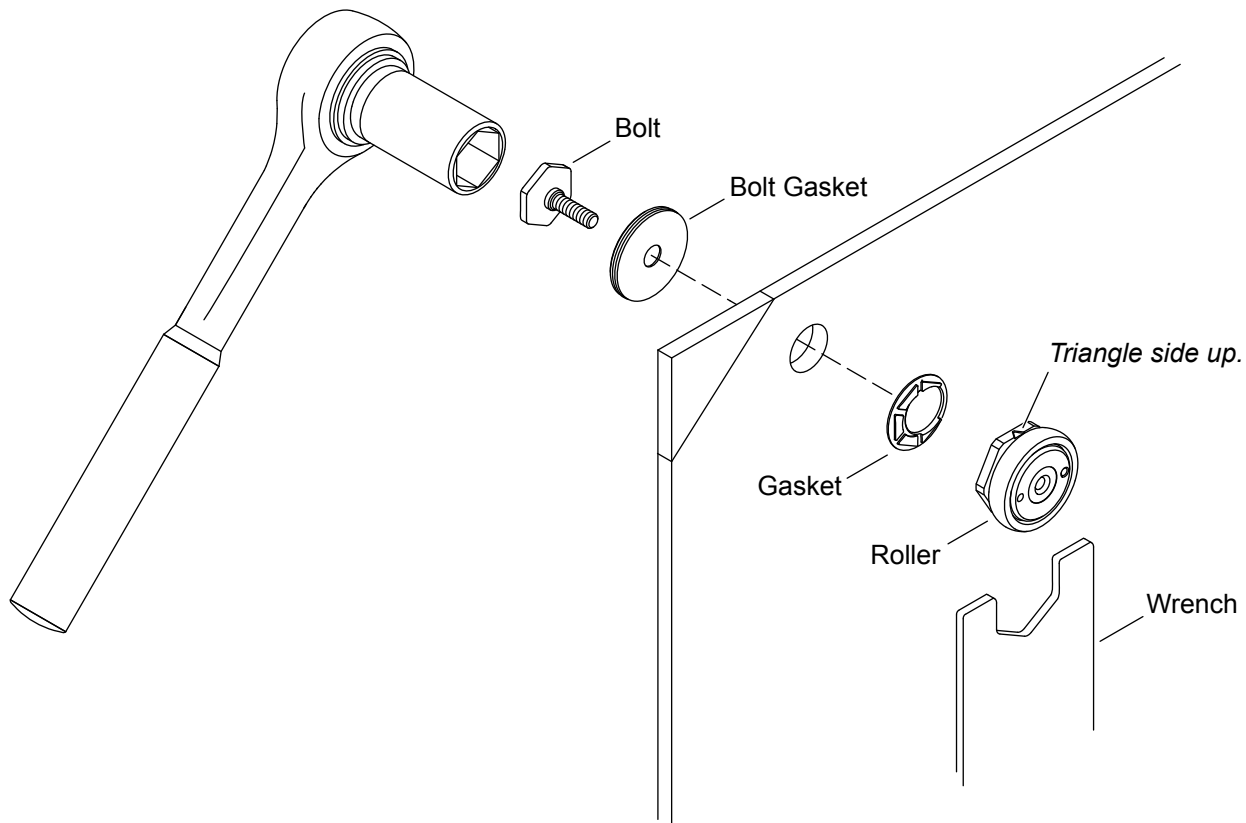


- Install a socket head screw (provided) into the holes in the back wall of the header.
- Place a gasket onto each of the screws protruding from the front wall of the header.
- Apply a bead of 100% silicone sealant into the bottom of the threshold seal.
- Remove the adhesive backing from the fixed panel wall seal.
- Place the fixed panel into the channel in the threshold and lean the top of the panel against the header.
- Place a gasket onto each of the screws protruding from the holes in the fixed panel.
- Thread a nut onto each of the screws.
- Tighten the screw from inside the header with a 3/16" hex wrench.

IMPORTANT! The head of the screws must be flush with the inside wall of the header when tightened or they will interfere with door operation.

- Press the wall seal tight against the wall if there is a gap.
- Install the towel bar to the fixed panel using the separate instructions provided.

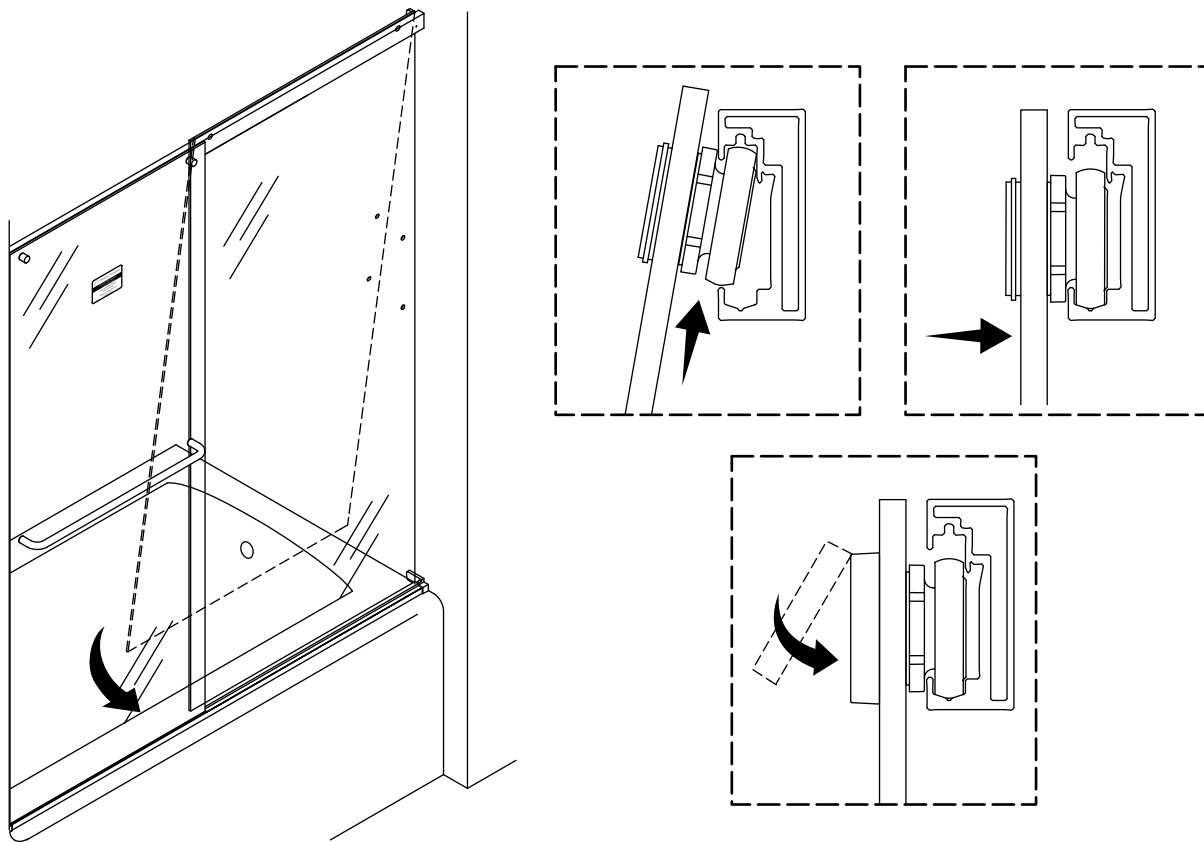
14. Assemble the Rollers



NOTICE: There is a triangle shape molded on one of the flats of the roller.

- Orient the sliding door panel so that the handle holes are on the opening side of the shower.
- Position the roller and gasket on the outside of the panel, and insert the roller cam into the hole.
- Orient the roller so that the triangle is pointing up. This sets the door at its lowest position, making adjustments easier.
- Firmly handtighten the roller to the glass with the gasket and bolt.
- Position the provided wrench on the roller and a 3/4" socket wrench on the bolt.
- Securely tighten the roller to the panel. The gasket may flex as the bolt is tightened.
- Repeat these steps for the second roller.

15. Install the Sliding Panel

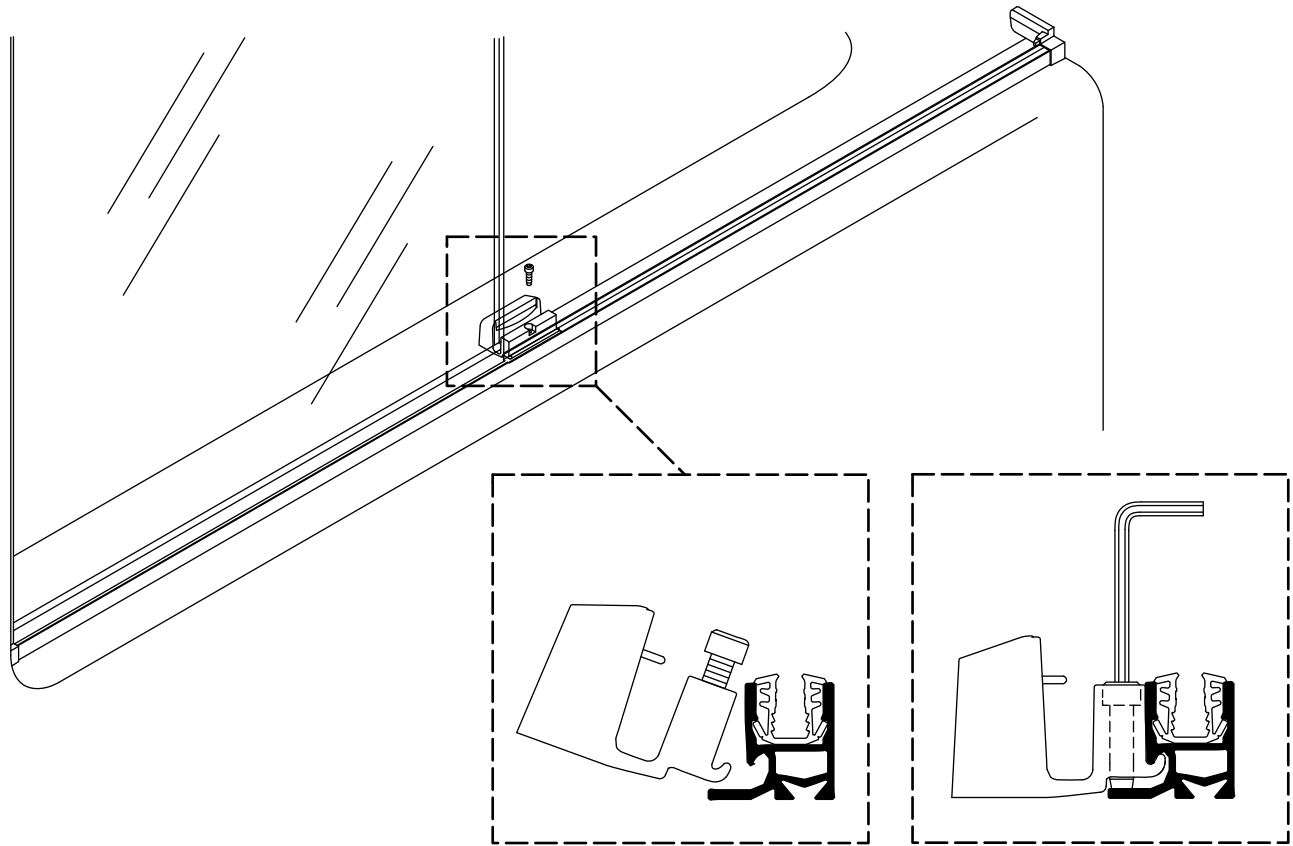


⚠ CAUTION: Risk of product damage. Carefully and thoroughly clean the header. Make sure there is no debris in the roller tracks.

NOTE: The rollers face the outside of the shower.

- Remove the corner protectors from the sliding panel.
- With help, from inside the shower, tilt the panel to position the tops of the rollers inside the header. Rest the rollers on the lower track of the header and set the panel in place.
- Ensure that the panel can roll back and forth smoothly. If necessary, adjust the rollers according to the instructions in the "Panel Adjustment and Maintenance" section.
- Press the roller covers onto the roller bolts.

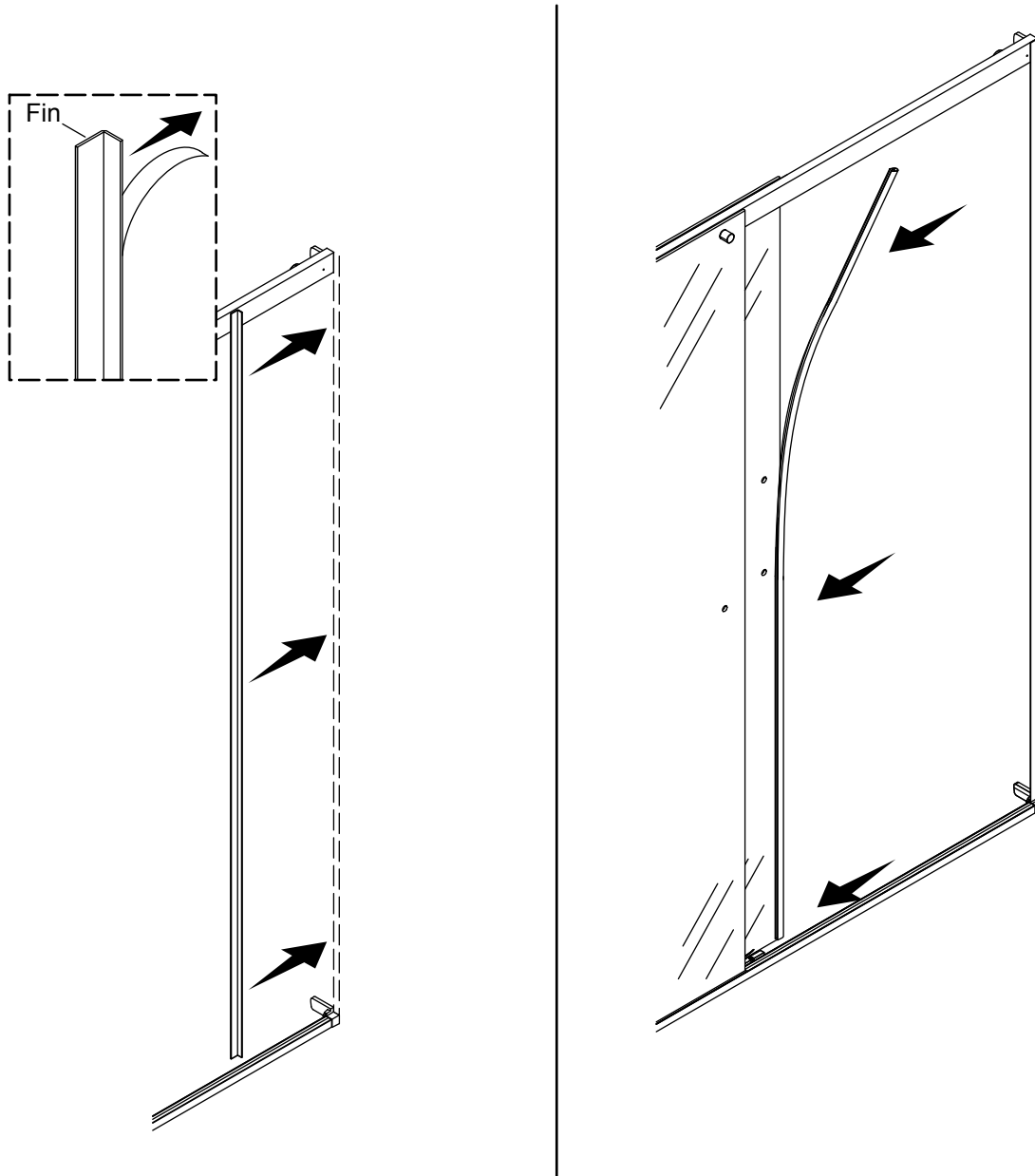
16. Install the Centerguide



IMPORTANT! The centerguide must be fully seated behind the threshold lip as shown.

- Slide the door panel to the fixed panel end of the shower.
- Thread the screw partially into the centerguide hole. The screw should not protrude from the bottom of the centerguide.
- Rotate the centerguide into place in the threshold groove, as shown.
- Slide the door panel into the centerguide channel.
- Shift the centerguide along the threshold until the edge of the guide is aligned with the edge of the fixed panel.
- Handtighten the screw with a 5/32" hex wrench, then tighten an additional one half turn.

17. Install the Remaining Seals



- Remove the adhesive backing from the sliding panel wall seal.

NOTE: The fin on the L-shaped wall seal should face the interior of the shower.

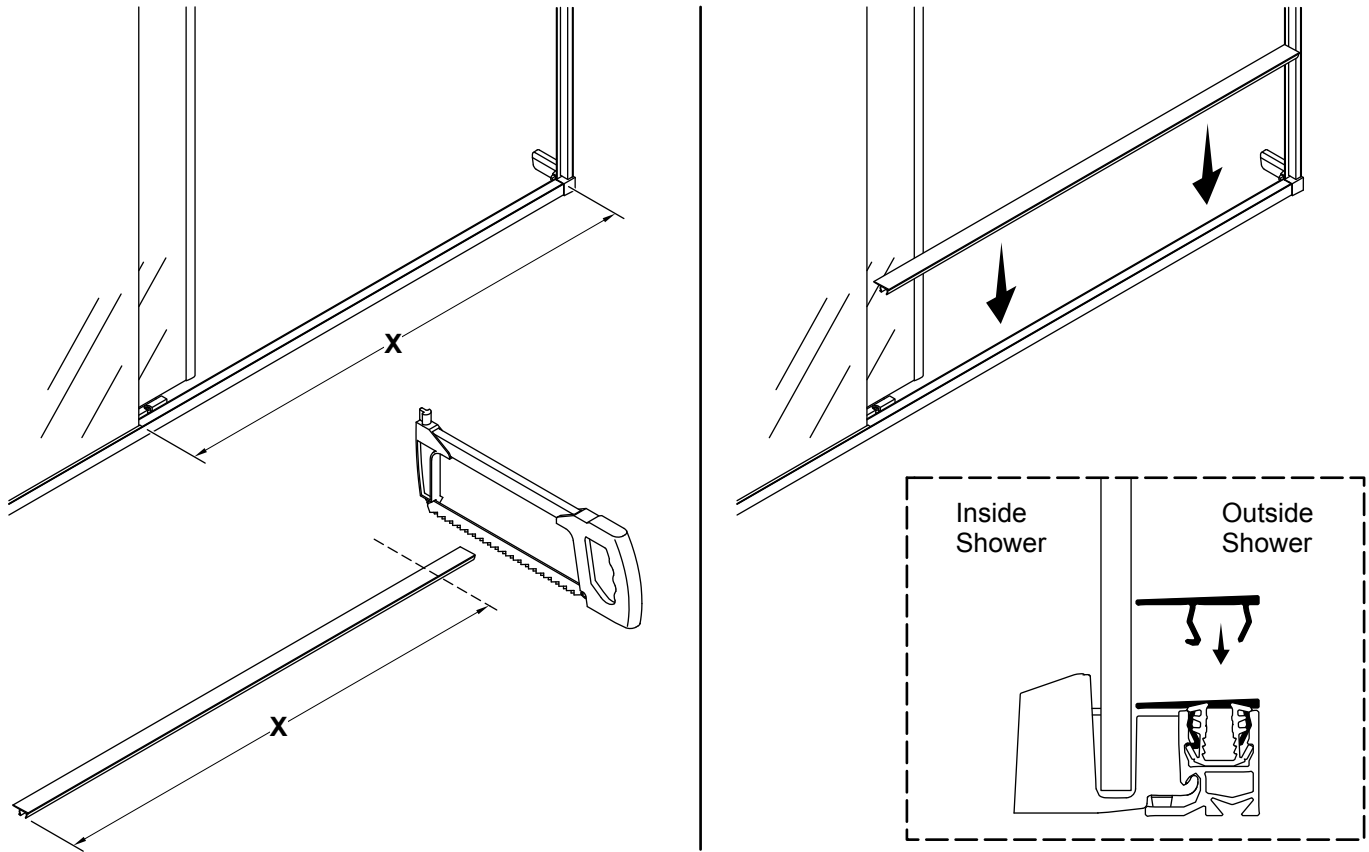
NOTE: The wall seal can be trimmed to fit underneath the header, if desired.

- Starting from the bottom, rest the sliding panel wall seal on the bottom bumper and press against the wall.
- Verify that the wall seal is level and plumb.

NOTE: The sliding panel seal should sit above the bottom bumper and below the top bumper when the sliding panel is closed.

- Press the sliding panel seal onto the end of the sliding panel glass closest to the showerhead.

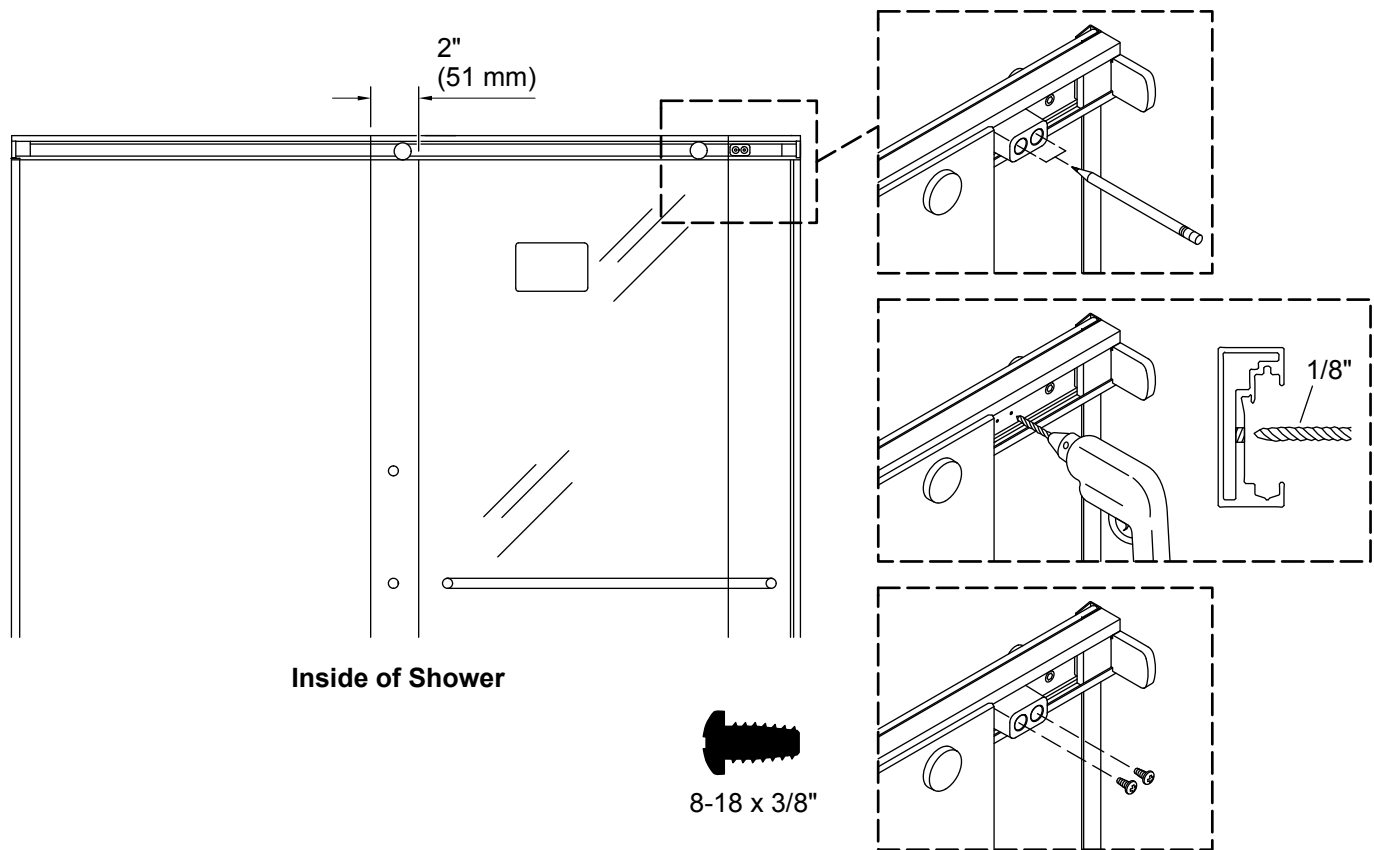
18. Install the Threshold Cover



⚠ WARNING: Risk of serious injury. Always wear safety glasses while cutting and drilling.

- Measure from the edge of the fixed panel to the open side bumper and mark the measurement on the threshold cover.
- Using a hand saw, cut the threshold cover at the marked line.
- Orient the flap on the cover toward the inside of the shower, and press into the groove of the threshold.

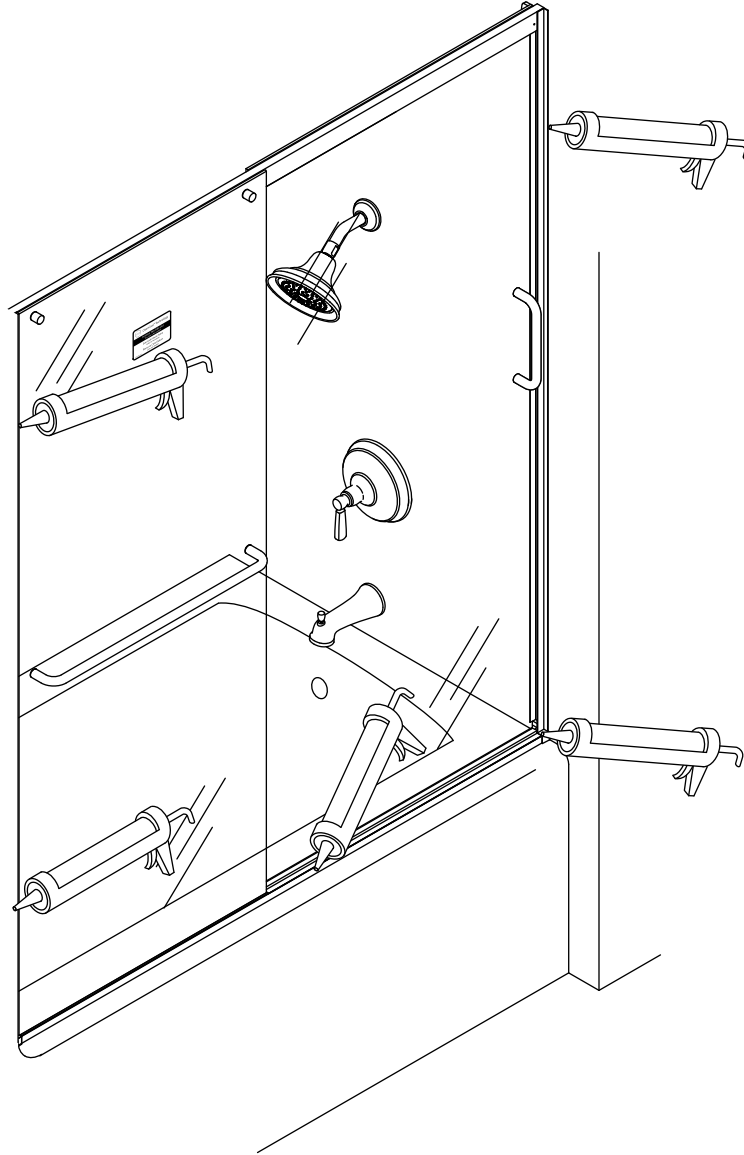
19. Install the Top Bumper



NOTE: The top bumper is required for 54" (1372 mm), 66" (1676 mm), and 72" (1829 mm) door sizes. Install the top bumper if supplied. If not supplied, proceed to the next section.

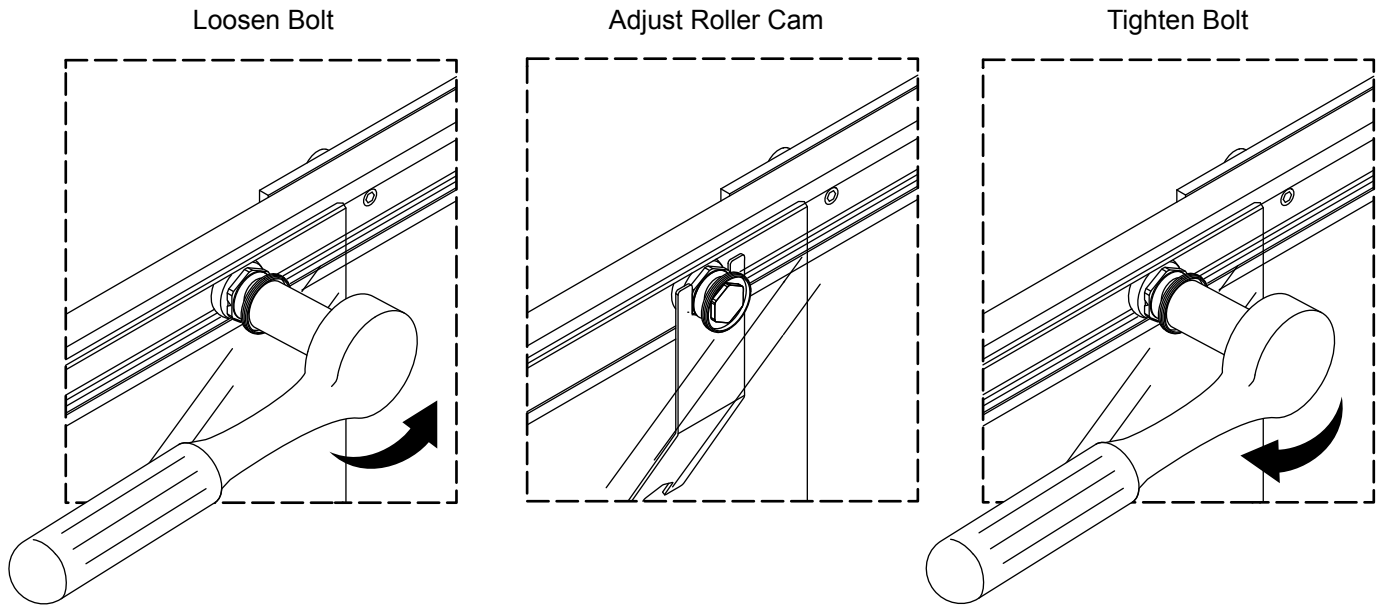
- Slide the door open until the edge of the sliding panel is 2" (51 mm) from the edge of the fixed panel.
- From inside the shower, slide the bumper along the header until it contacts the edge of the sliding panel.
- Mark the two screw hole locations.
- Remove the bumper and drill a 1/8" hole at each of the marked locations. **Only drill through the inside wall of the header.**
- Place the bumper back on the inside of the header and secure with two 8-18 x 3/8" screws (provided).

20. Complete the Installation



- Apply 100% silicone sealant along the vertical wall seals outside the shower/bath.
- Apply 100% silicone sealant along the outside edge of the threshold.
- Install the handle to the sliding panel using the separate instructions provided.

Panel Adjustment and Maintenance



NOTICE: The panels may require adjustment to ensure that they touch the top and bottom bumpers in the proper closed position.

- To adjust the panels, loosen the roller bolt with a 3/4" socket wrench. **Do not over-loosen!**
- Adjust the alignment of each end of the panel by turning the roller with the provided wrench.
- Continue until the door operates smoothly, aligns evenly with the shower walls, and the door panels make contact with the top and bottom bumpers at the same time.
- When complete, securely tighten the two roller bolts.

Maintenance

- Check roller tightness annually.
- Retain the provided wrench for future adjustment or retightening.

Troubleshooting

This troubleshooting guide is for general aid only. For service and installation issues or concerns, call 1-800-4KOHLER.

Symptoms	Probable Cause	Recommended Action
1. The door is noisy when opened or closed.	<p>A. The bracket may be installed too far out of level.</p> <p>B. The door panels are too low, rubbing on the base of the centerguide or the shower base/bath ledge.</p> <p>C. The rollers are loose.</p> <p>D. The rollers have worn and are noisy.</p> <p>E. There is debris in the roller track.</p>	<p>A. Remove the panels and headers, and level the bracket. If the bracket cannot be leveled, call the Customer Care Center.</p> <p>B. Adjust the rollers to raise the door panels. Refer to the "Panel Adjustment and Maintenance" section.</p> <p>C. Tighten the roller bolts using the necessary tools and provided wrench.</p> <p>D. Replace the rollers.</p> <p>E. Remove the door panel and clean out the roller track with compressed air or a clean cloth. Verify no debris is on the rollers.</p>
2. The door is hard to move or does not open.	<p>A. The door panels are too low, rubbing on the base of the centerguide or the shower base/bath ledge.</p> <p>B. The headers are not secured to the brackets.</p> <p>C. The rollers are loose.</p>	<p>A. Adjust the rollers to raise the door panels. Refer to the "Panel Adjustment and Maintenance" section.</p> <p>B. Verify that the header is secured to the cleats with the provided 8-32 x 3/8" self-drilling screw.</p> <p>C. Tighten the roller bolts using the necessary tools and provided wrench.</p>
3. The door panels are free to swing in and out of the shower.	<p>A. The centerguide is not installed.</p> <p>B. The centerguide is not installed in the correct location.</p> <p>C. The door panels are not correctly installed on the centerguide.</p> <p>D. The door panels are too high.</p>	<p>A. Install the centerguide according to the instructions.</p> <p>B. Install the centerguide in the walkthrough opening and aligned with the edge of the fixed panel.</p> <p>C. The glass panels should be positioned in the channels of the centerguide.</p> <p>D. Adjust the rollers to lower the panels. Refer to the "Panel Adjustment and Maintenance" section.</p>
4. The centerguide is loose.	<p>A. The centerguide screw is not tightened.</p>	<p>A. Handtighten the screw with a 5/32" hex wrench, then tighten an additional one half turn.</p>

Symptoms	Probable Cause	Recommended Action
<p>5. Water leaks.</p>	<p>A. Water leaks under the threshold.</p> <p>B. Water leaks under a door panel.</p> <p>C. Water leaks under a door panel.</p> <p>D. Water leaks around the wall seal.</p> <p>E. Water leaks around the wall seal.</p> <p>F. Water leaks at the bottom of the wall seal and over the threshold.</p> <p>G. Water leaks between the wall and wall seal.</p>	<p>A. Apply 100% silicone sealant to the outside edge of the threshold. Allow sealant to cure according to the manufacturer’s instructions before using the shower.</p> <p>B. Adjust the rollers to lower the door panels closer to the shower base/bath ledge. Refer to the “Panel Adjustment and Maintenance” section.</p> <p>C. Check the height of the header. The top of the header should be aligned with the top of the wall seals.</p> <p>D. Adjust the door panel so the panel touches both the top and bottom bumpers. Try not to spray water directly onto the door panels.</p> <p>E. Install the sliding panel seal on the moving panel and locate it between the top and bottom bumpers. Make sure the sliding panel seal aligns with the top of the bottom bumper.</p> <p>F. If there is a gap between the bottom of the wall seal and the top of the threshold and bottom bumpers, silicone this area.</p> <p>G. Apply 100% silicone sealant where the wall meets the wall jamb, both inside and outside the shower. Allow sealant to cure according to the manufacturer’s instructions before using the shower.</p>
<p>6. The handle hits the fixed panel when the door is opened.</p>	<p>A. The extra top bumper was not located correctly or has moved.</p>	<p>A. Set the extra top bumper in the correct location according to the instructions.</p>

Instructions d'installation

Porte de douche coulissante

Merci d'avoir choisi KOHLER

Besoin d'aide? Appeler notre centre de services à la clientèle.

USA/Canada : 1-800-4KOHLER (1-800-456-4537)

Mexique : 001-800-456-4537

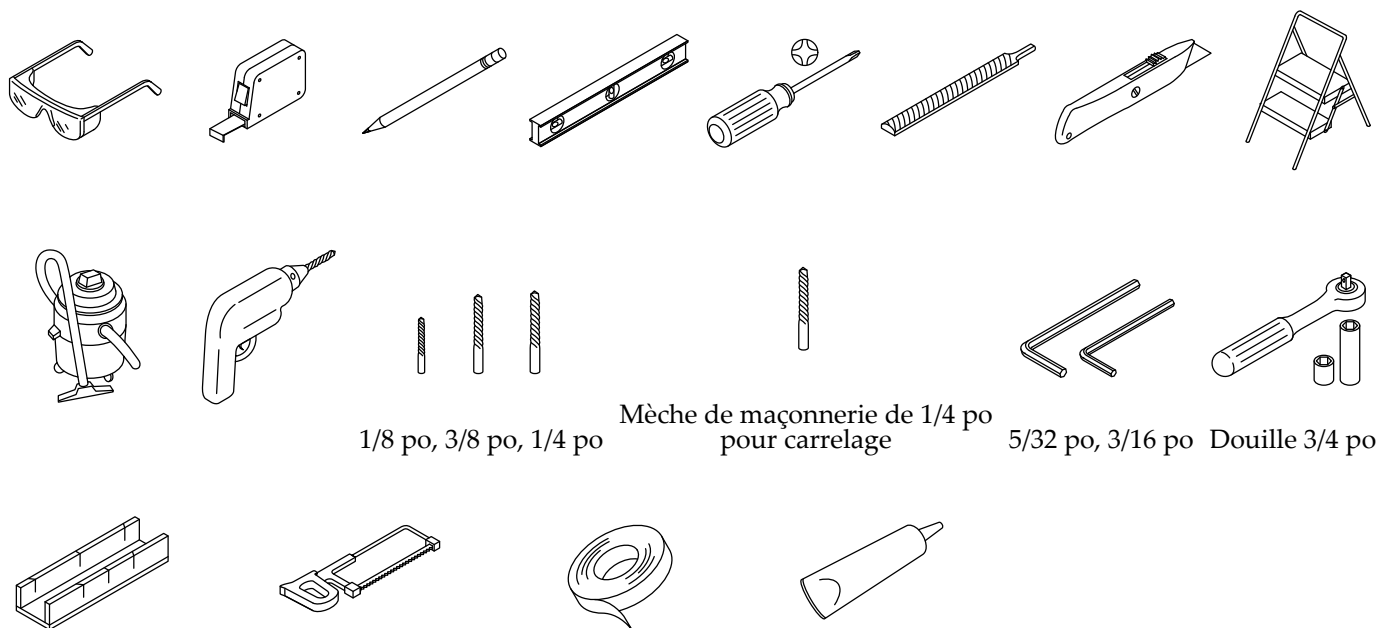
Pour tout renseignement sur les pièces de rechange, visiter le site kohler.com/serviceparts.

Pour des renseignements sur l'entretien et le nettoyage, visiter le site kohler.com/clean.

Garantie

Ce produit est couvert sous la **Garantie limitée d'un an KOHLER®**, fournie sur le site kohler.com/warranty. Pour obtenir une copie imprimée des termes de la garantie, s'adresser au centre de service à la clientèle.

Outils et matériel









1/8 po, 3/8 po, 1/4 po

Mèche de maçonnerie de 1/4 po
pour carrelage

5/32 po, 3/16 po Douille 3/4 po

Boîte à onglets Lame de 32 dents par pouce Ruban cache Mastic à la silicone à 100%

Avant de commencer

-  **AVERTISSEMENT : Risque de blessures graves.** Des dommages avant l'installation peuvent entraîner des éclatements de verre. Inspecter le verre et toutes les pièces pour y rechercher des dommages avant l'installation.
-  **AVERTISSEMENT : Risque de blessures graves.** Une installation incorrecte peut entraîner des éclatements de verre. Suivre toutes les instructions d'installation.
-  **AVERTISSEMENT : Risque de blessures graves.** Ne pas couper le verre trempé. Le verre trempé éclate lorsqu'il est coupé.
-  **AVERTISSEMENT : Risque de blessures graves.** Les panneaux de porte de la douche peuvent éclater. Inspecter régulièrement le verre et toutes les pièces pour y rechercher des dommages, ou des pièces manquantes ou desserrées
-  **AVERTISSEMENT : Risque de blessures graves.** Toujours porter des lunettes de sécurité pendant la découpe et le perçage.
-  **ATTENTION : Risque de blessures.** Le verre trempé ne doit pas entrer en contact avec des surfaces dures, car il risquerait de se briser. Ne pas toucher le bord du panneau de verre trempé avec des outils ou des objets durs.

IMPORTANT! Laisser ce manuel pour l'utilisateur final. Lire ces instructions avant d'installer ou d'utiliser ce produit.

IMPORTANT! Cette porte est conçue pour s'adapter à des murs qui ont un faux aplomb de moins de 3/8 po (10 mm). Vérifier que la zone sur laquelle la porte sera fixée est comprise dans un rayon de 3/8 po (10 mm) de l'aplomb. La porte risque de ne pas fonctionner correctement si le faux aplomb du mur est supérieur à 3/8 po (10 mm).

IMPORTANT! Ne pas retirer les protecteurs de coins des panneaux de porte avant d'avoir installé ces derniers.

Recouvrir le drain avec du ruban afin d'éviter de perdre les petites pièces.

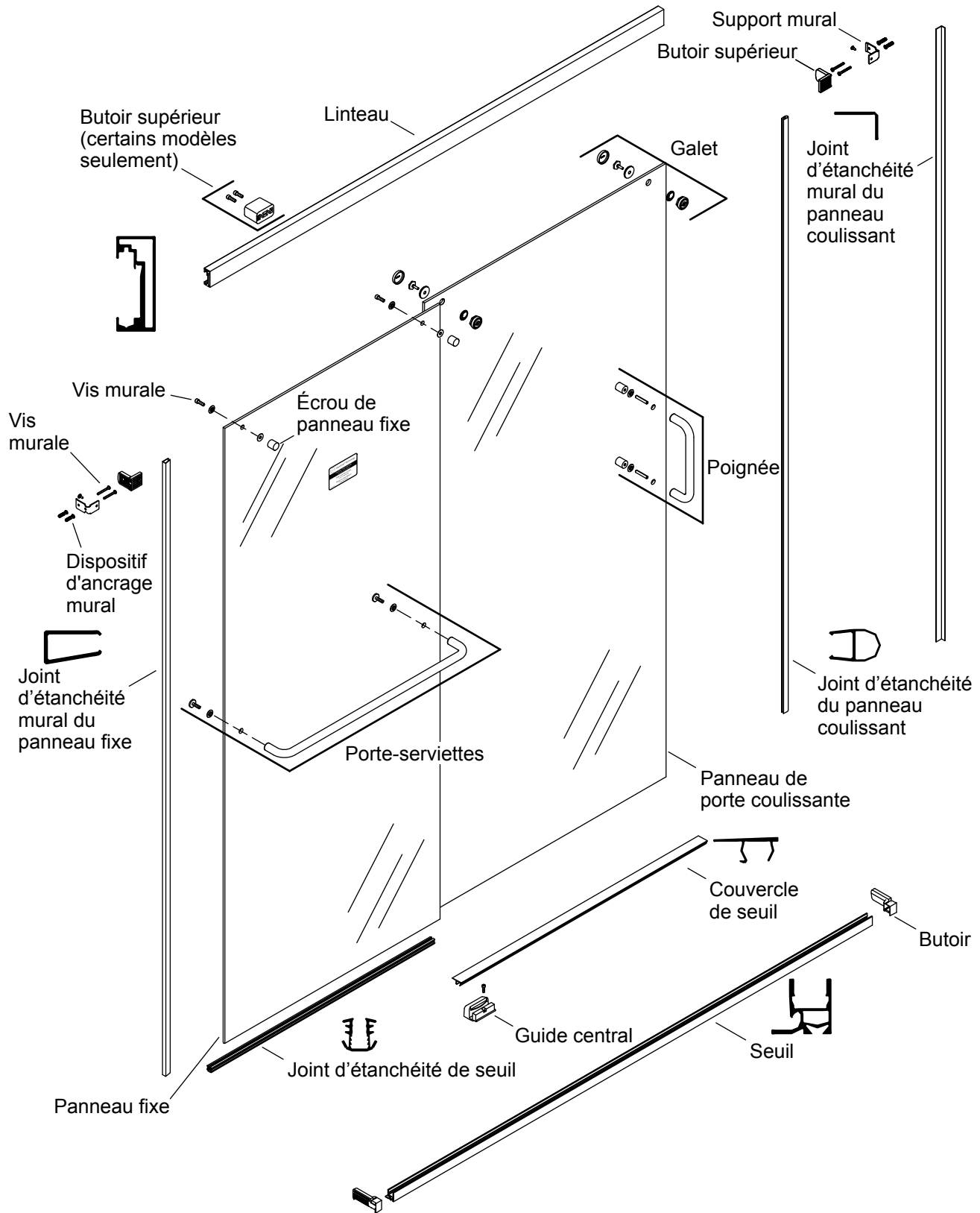
Identifier toutes les pièces avant l'installation.

Suivre les instructions du fabricant du mastic à la silicone en ce qui concerne l'application et le temps de prise.

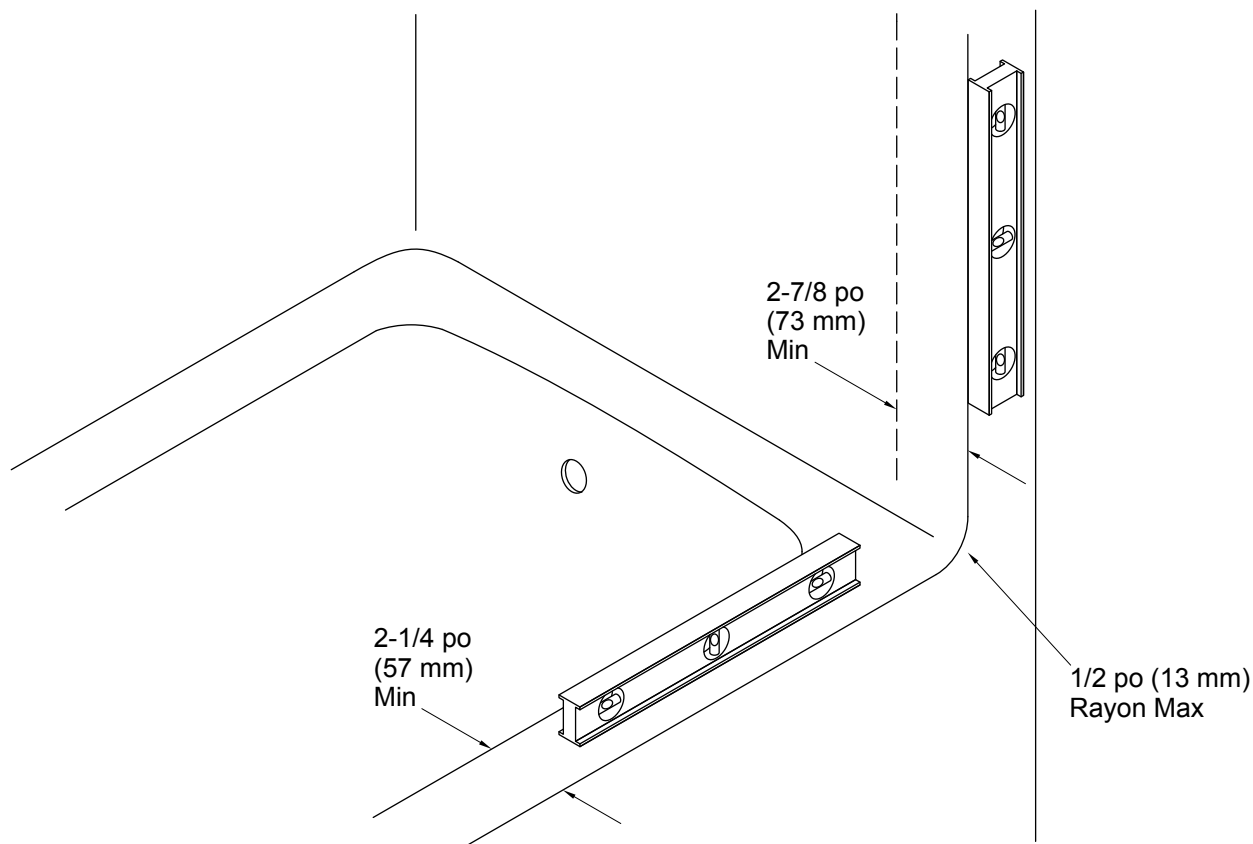
Deux personnes doivent effectuer cette installation.

Le panneau fixe devrait être installé sur le côté se trouvant à l'opposé de la pomme de douche.

Identification des pièces



1. Vérifier la compatibilité entre le rebord et le mur



IMPORTANT! Pour un alignement et un fonctionnement adéquats, vérifier que la base de la douche/le rebord de la baignoire et les murs sont conformes aux conditions requises suivantes. Ne pas installer la porte si ces conditions requises ne sont pas présentes.

Une surface plate de $2\frac{7}{8}$ po (64 mm) au moins doit être présente sur la base de la douche/les murs de la baignoire.

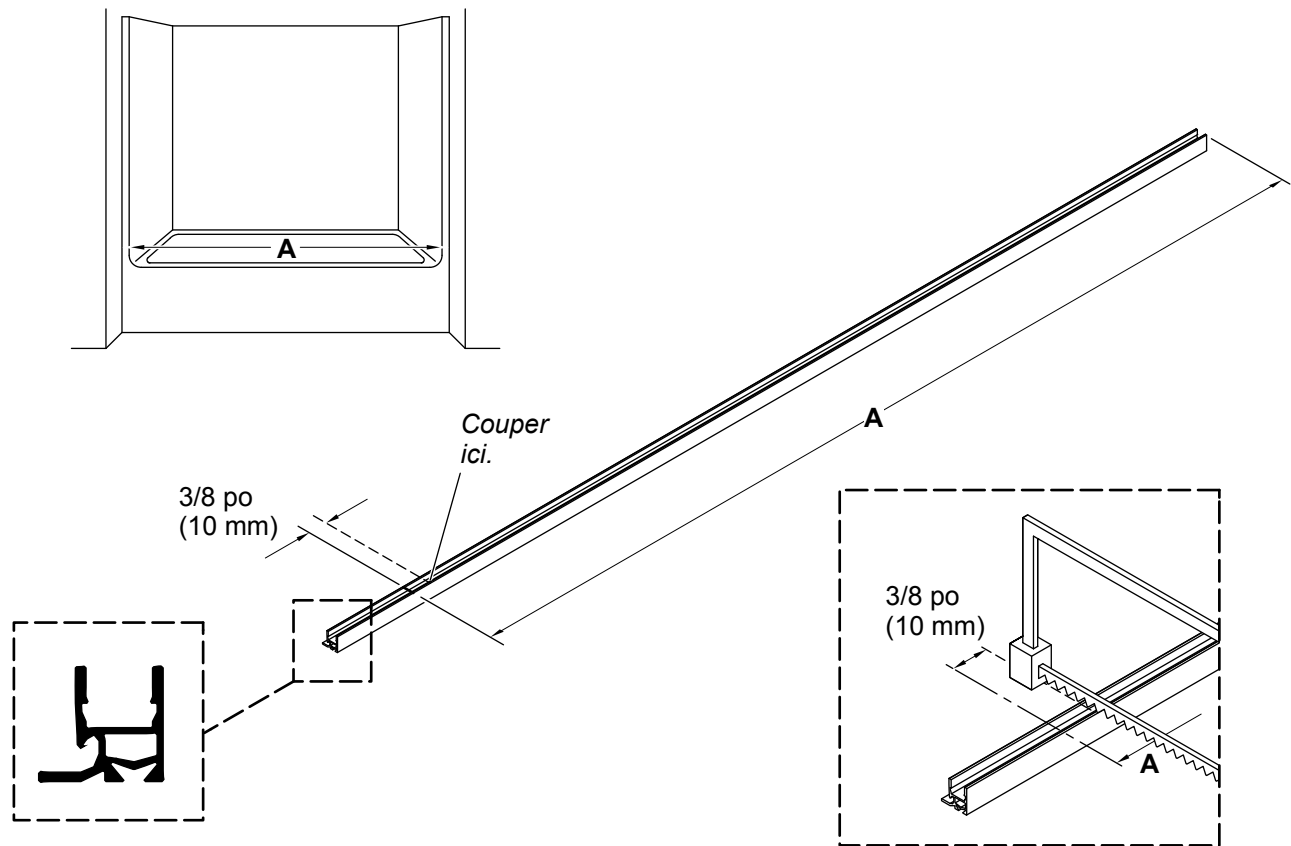
Une surface plate de $2\frac{1}{4}$ (57 mm) au moins doit être présente sur la base de la douche/le rebord de la baignoire.

Les murs doivent être compris dans un rayon de $\frac{3}{8}$ po (10 mm) de l'aplomb.

La base de la douche/le rebord de la baignoire doivent être de niveau entre les murs.

Le rayon de la base de la douche/le rebord de la baignoire où il entre en contact avec le mur doit être de $\frac{1}{2}$ po (13 mm) ou moins.

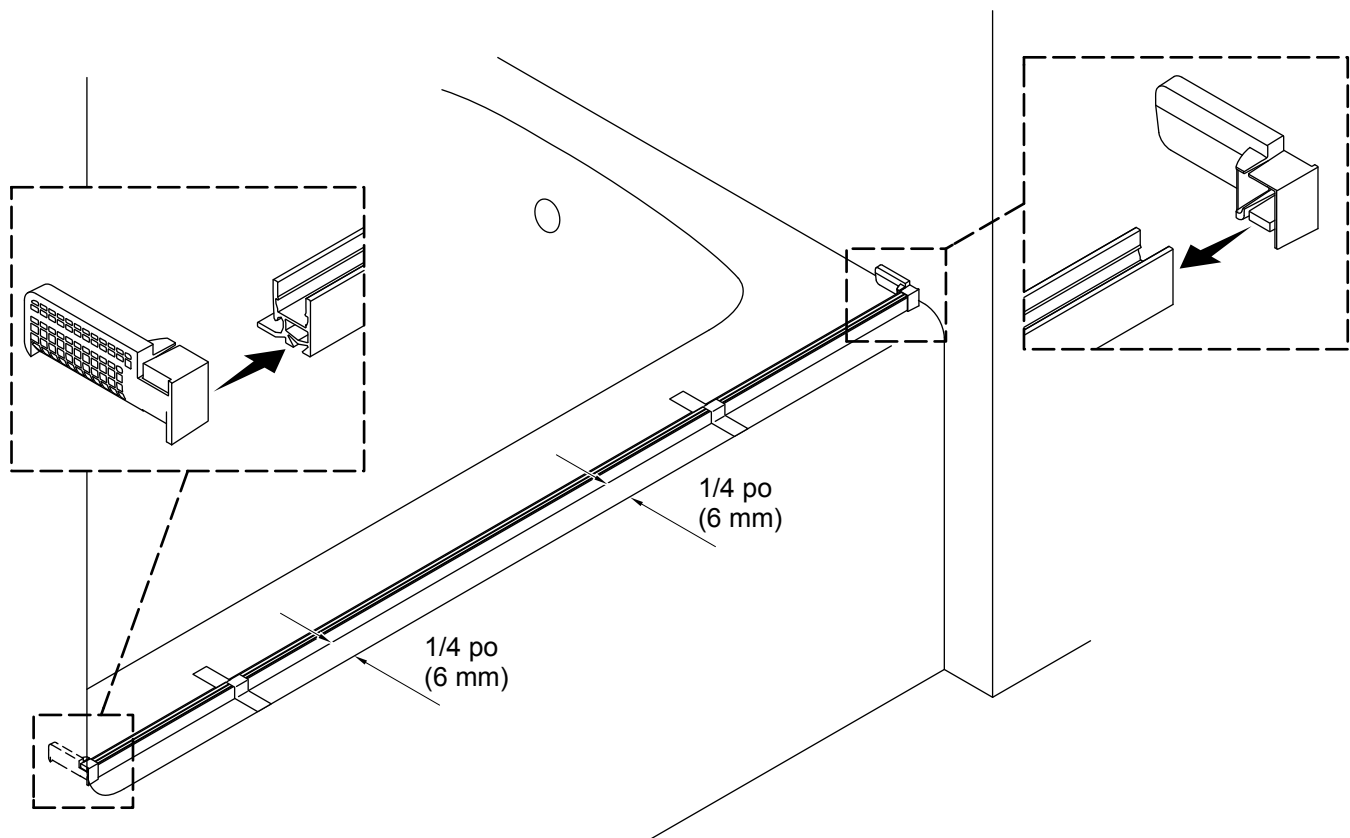
2. Mesurer et couper le seuil



⚠ AVERTISSEMENT : Risque de blessures graves. Toujours porter des lunettes de sécurité pendant la découpe et le perçage.

- Utiliser une toile de protection pour protéger la surface de la douche.
- Mesurer la distance « A » entre les murs de la douche et la marquer sur le seuil.
- Mesurer 3/8 po (10 mm) à partir de « A » et placer un deuxième repère sur le seuil comme sur l'illustration.
- Couper le seuil au niveau du deuxième repère et limer tous les bords bruts.

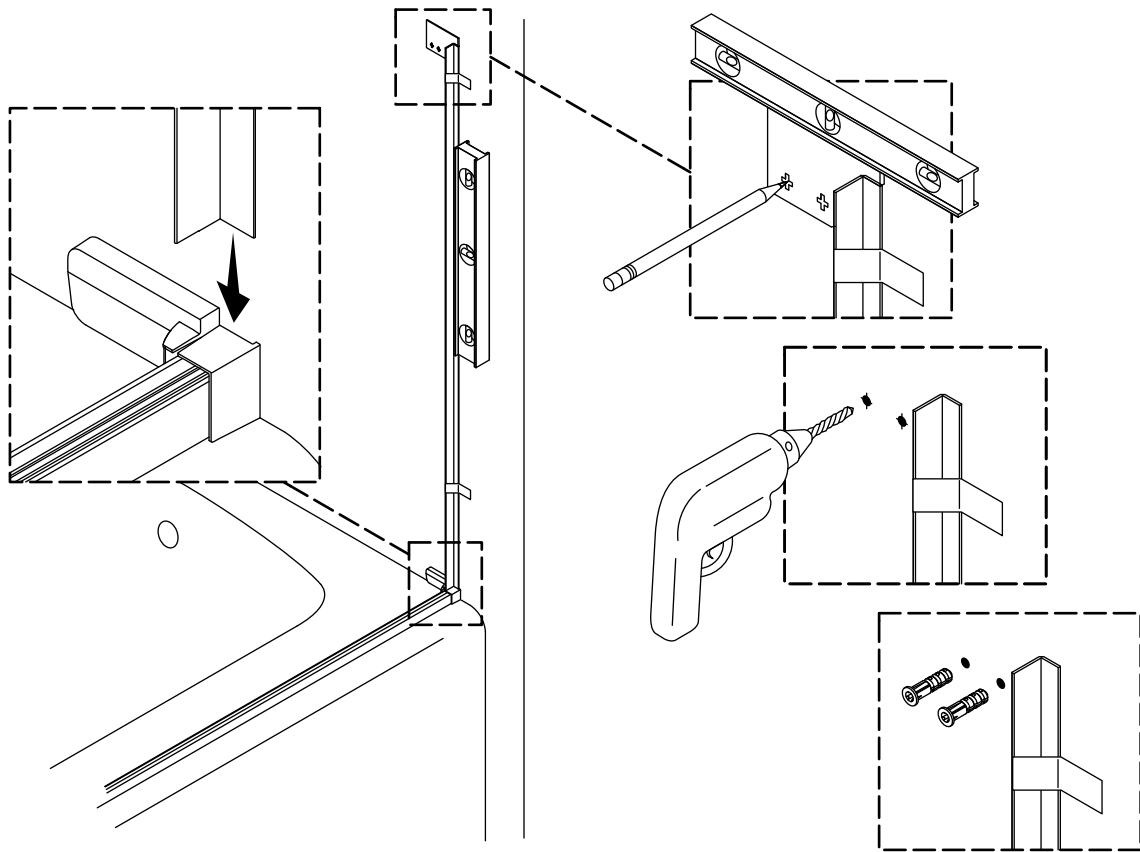
3. Positionner le seuil



AVIS : Le seuil doit reposer sur une surface plate.

- Si nécessaire, limer les extrémités du seuil pour les adapter au rayon de bec du mur de la douche.
- Si nécessaire, limer les butoirs pour les adapter au rayon de bec du mur de la douche.
- Enfoncer les butoirs sur les extrémités du seuil.
- Aligner le seuil de manière à ce qu'il soit à une distance de 1/4 po (6 mm) de la base de la douche/du rebord de la baignoire le long de toute sa longueur et marquer son emplacement.
- Bien fixer le seuil en place avec du ruban le long du repère, de manière à ce qu'il soit centré entre les murs.
- Appuyer les butoirs contre les murs si un écartement est présent.

4. Marquer et percer les trous des supports muraux



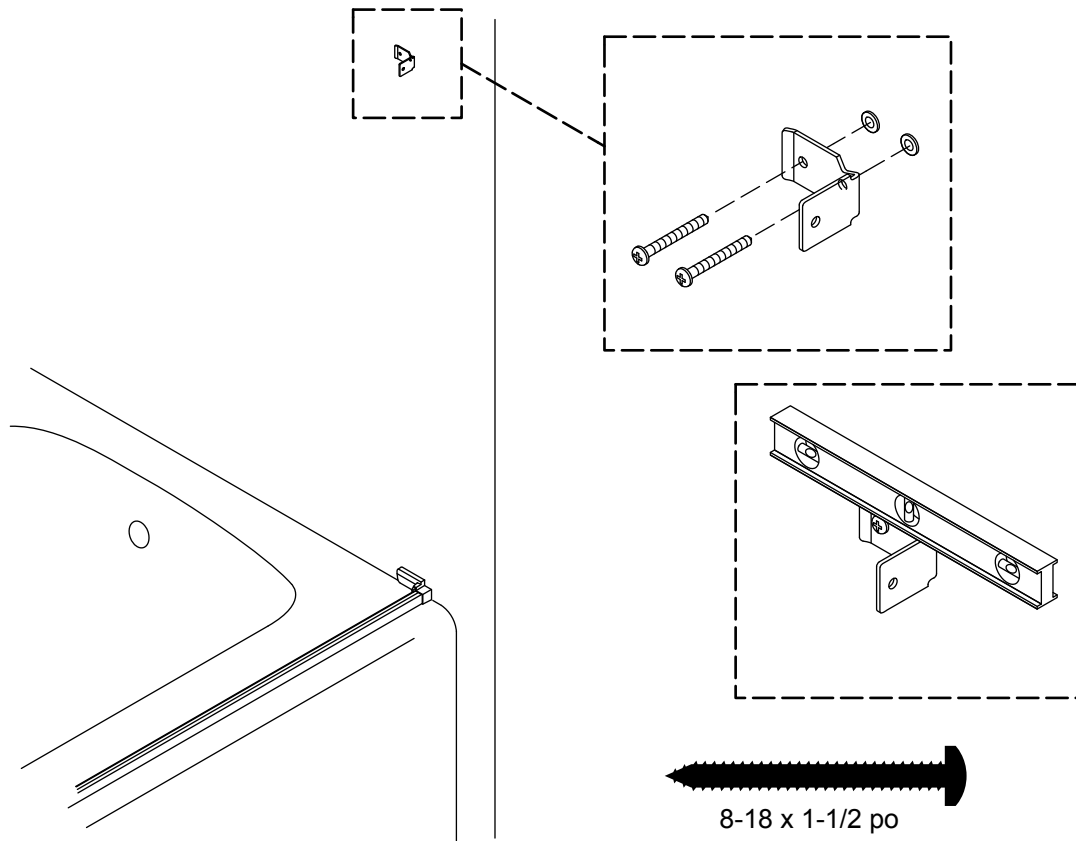
IMPORTANT! Le joint d'étanchéité mural doit être de niveau et d'aplomb pour une installation de linteau appropriée.

IMPORTANT! Le joint d'étanchéité mural du panneau coulissant sera utilisé pour mesurer les trous de support mural sur les deux côtés de la douche.

IMPORTANT! Les emplacements des trous pour les supports muraux sont de première importance. S'assurer que les trous sont marqués correctement et percés tout droit dans le mur.

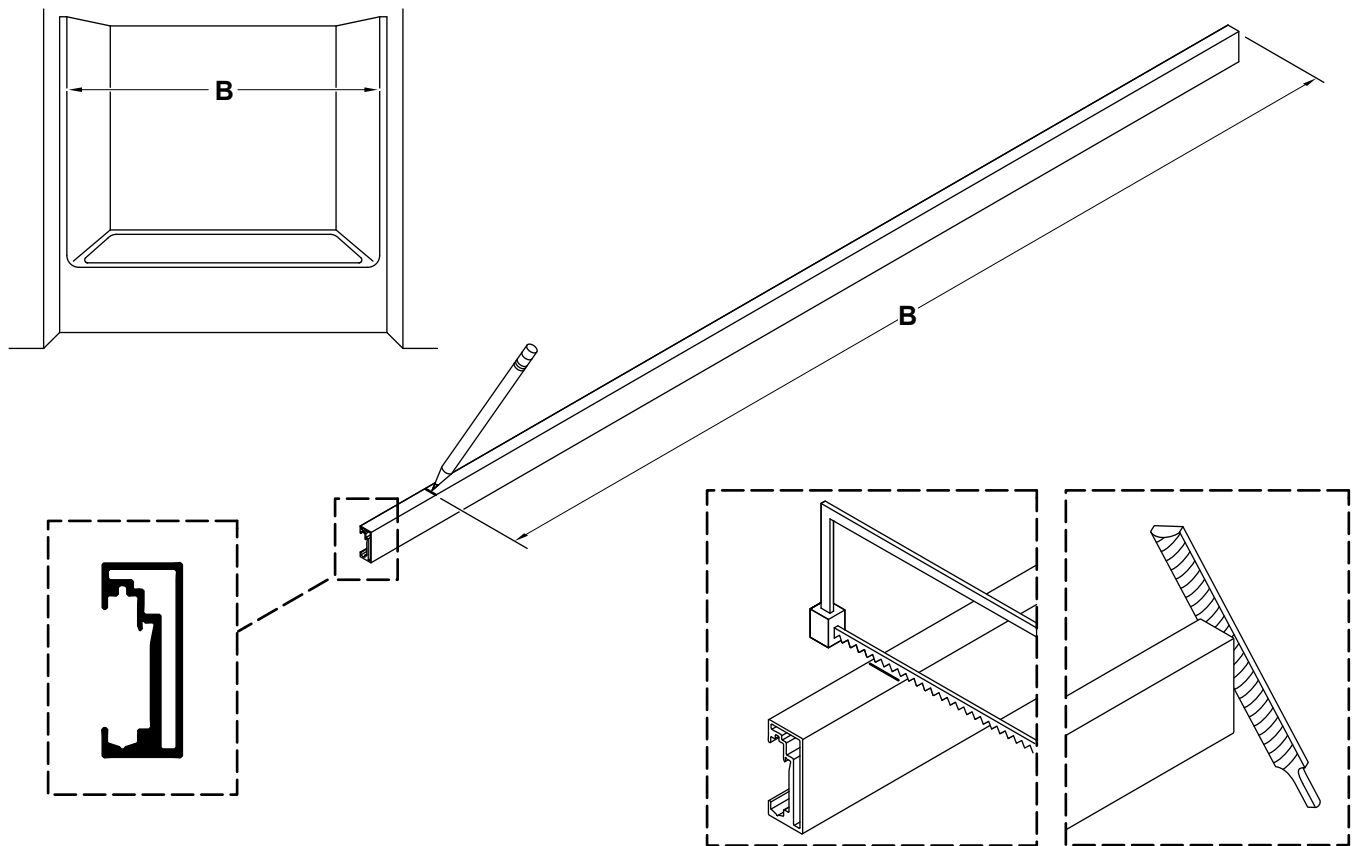
- Insérer le joint d'étanchéité mural du panneau coulissant dans le canal en forme de L sur le butoir latéral du panneau coulissant.
- Utiliser un niveau et du ruban-cache, sécuriser le joint d'étanchéité sur le mur.
- Vérifier que le joint d'étanchéité mural est de niveau et d'aplomb.
- Positionner le gabarit de perçage par-dessus le joint d'étanchéité mural, en le pointant dans la douche comme sur l'illustration.
- Vérifier que le gabarit est entièrement assis par-dessus le joint d'étanchéité mural, à plat contre le mur, et de niveau.
- Marquer les autres emplacements des trous et retirer le gabarit.
- Percer des trous de 1/4 po dans le mur aux emplacements marqués. **S'assurer que la perceuse ne se trouve pas à un angle lors du perçage.**
- Installer les chevilles d'ancrage mural fournies. S'assurer que les chevilles d'ancrage sont entièrement assises dans le mur.
- Répéter pour le mur opposé en utilisant le même joint d'étanchéité mural du panneau coulissant.

5. Installer les supports muraux



- Retirer les joints d'étanchéité muraux et les mettre de côté.
- Positionner le support mural pardessus les dispositifs d'ancrage avec le pied tourné vers l'extérieur de la douche.
- Fixer le support en utilisant deux vis n° 8-18 x 1-1/2 po (fournies).
- Vérifier que le support mural est de niveau. Desserrer les vis et ajuster la position au besoin.
- Répéter pour le mur opposé.

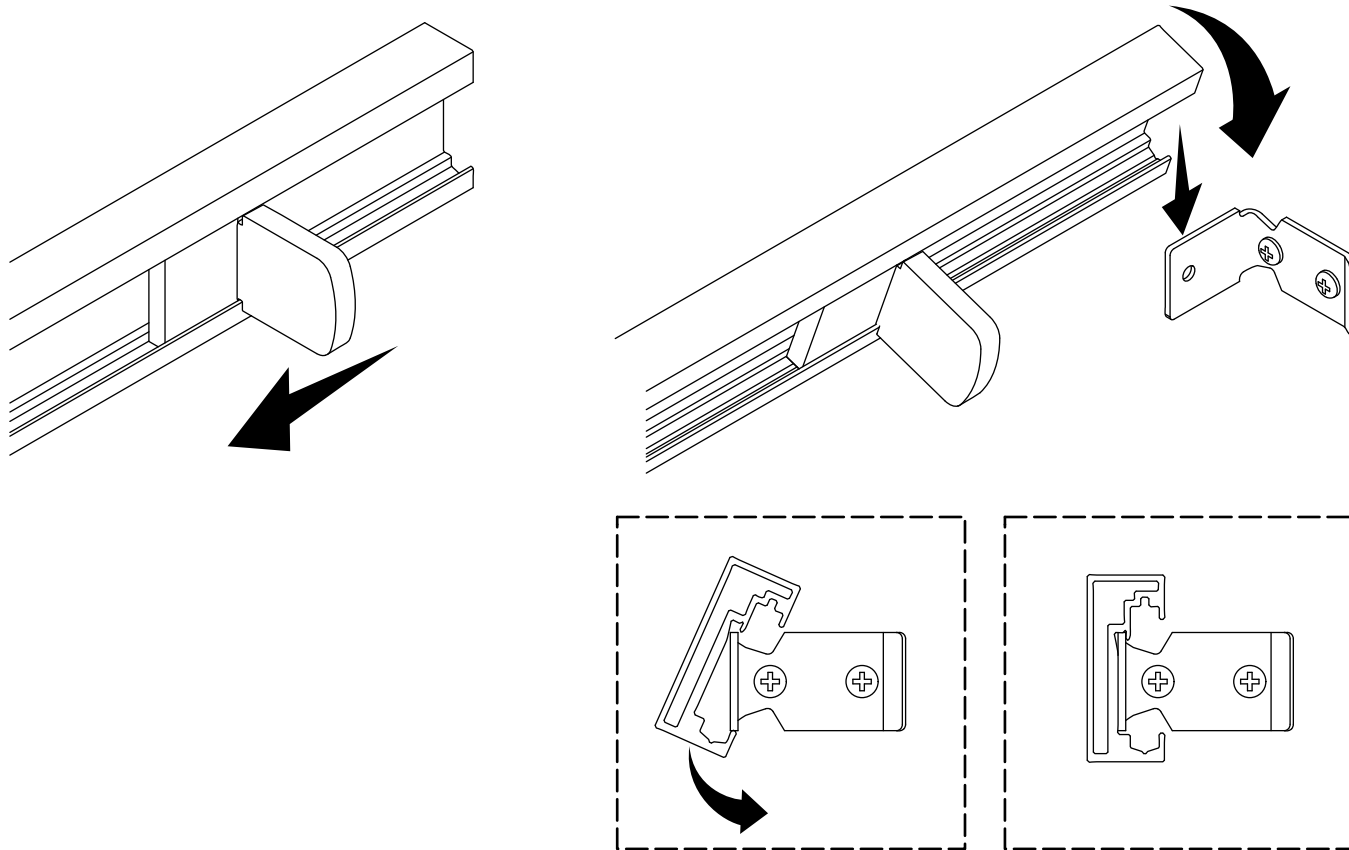
6. Mesurer et couper le linteau



IMPORTANT! Vérifier les mesures avant de couper. Ne pas couper le linteau trop court.

- Mesurer la distance « **B** » entre les murs de la douche et la marquer sur le linteau.
- À l'aide d'une scie égoïne, couper le linteau juste à l'intérieur de la ligne marquée.
- Limer tous les bords bruts et éliminer les débris des rails des galets.
- Avec de l'aide, amener le panneau coulissant dans la zone de la douche avant d'installer le linteau. **Ne pas retirer les protecteurs de coins.**

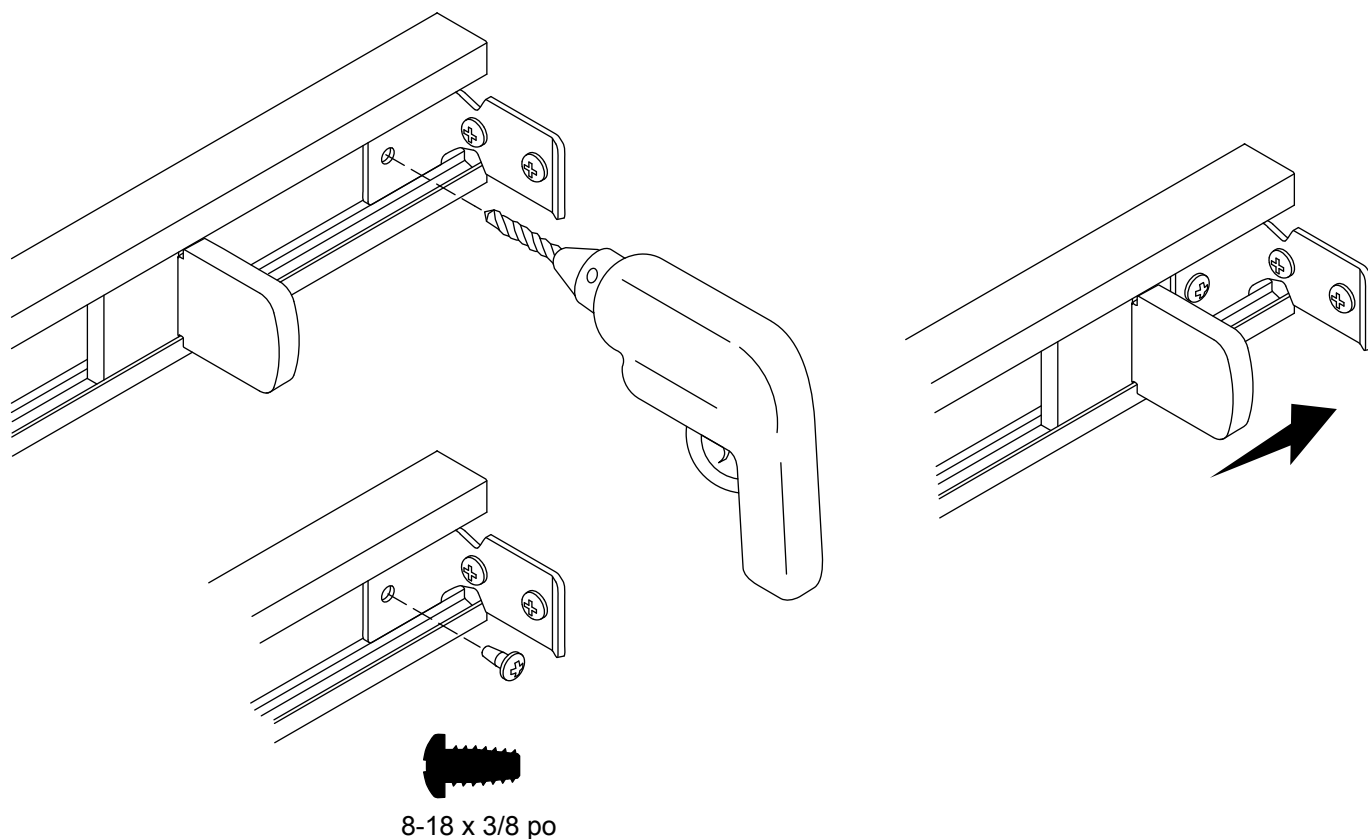
7. Positionner le linteau



⚠ ATTENTION : Risque d'endommagement du produit. Le linteau pourrait tomber s'il n'est pas positionné correctement sur les supports muraux. S'assurer que le haut du linteau est accroché correctement sur les supports.

- Glisser un butoir dans chaque extrémité du linteau comme sur l'illustration.
- À partir de l'intérieur de la douche, élever le linteau au-dessus des supports muraux.
- Basculer le linteau et l'abaisser sur les supports muraux comme sur l'illustration.
- S'assurer que le haut du linteau est accroché correctement sur les supports comme sur l'illustration.
- Tourner le linteau pour le mettre en place, à plat contre les supports muraux.

8. Fixer le linteau en place

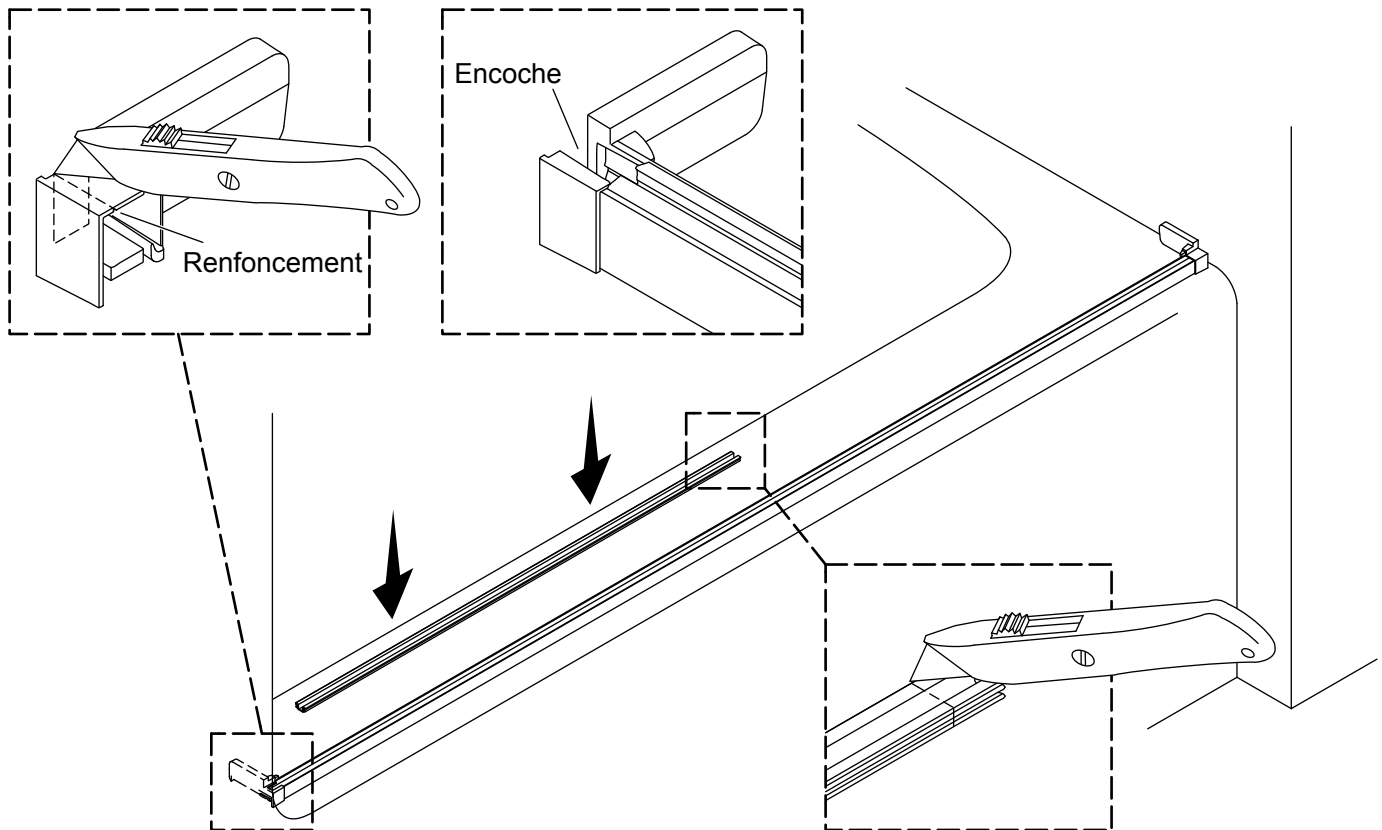


⚠ ATTENTION : Risque de blessures. Placer les mains loin des emplacements de perçage lors du perçage à travers le linteau.

⚠ ATTENTION : Risque d'endommagement du produit. Lors de la fixation du linteau sur chaque support mural, ne pas percer à travers la deuxième paroi du linteau.

- À partir de l'intérieur de la douche, percer un trou de 9/64 po à travers le premier mur du linteau en utilisant le support mural comme modèle.
- Répéter pour l'autre côté.
- Fixer le linteau sur chaque support mural avec une vis auto-perceuse n° 8-18 x 3/8 po (fournie).
- Nettoyer le linteau sous tous les angles. S'assurer qu'aucun débris n'est présent dans les rails des galets.
- Glisser chaque butoir à ras contre le mur, jusqu'à ce qu'il soit enclenché dans le support.

9. Installer le joint d'étanchéité du seuil

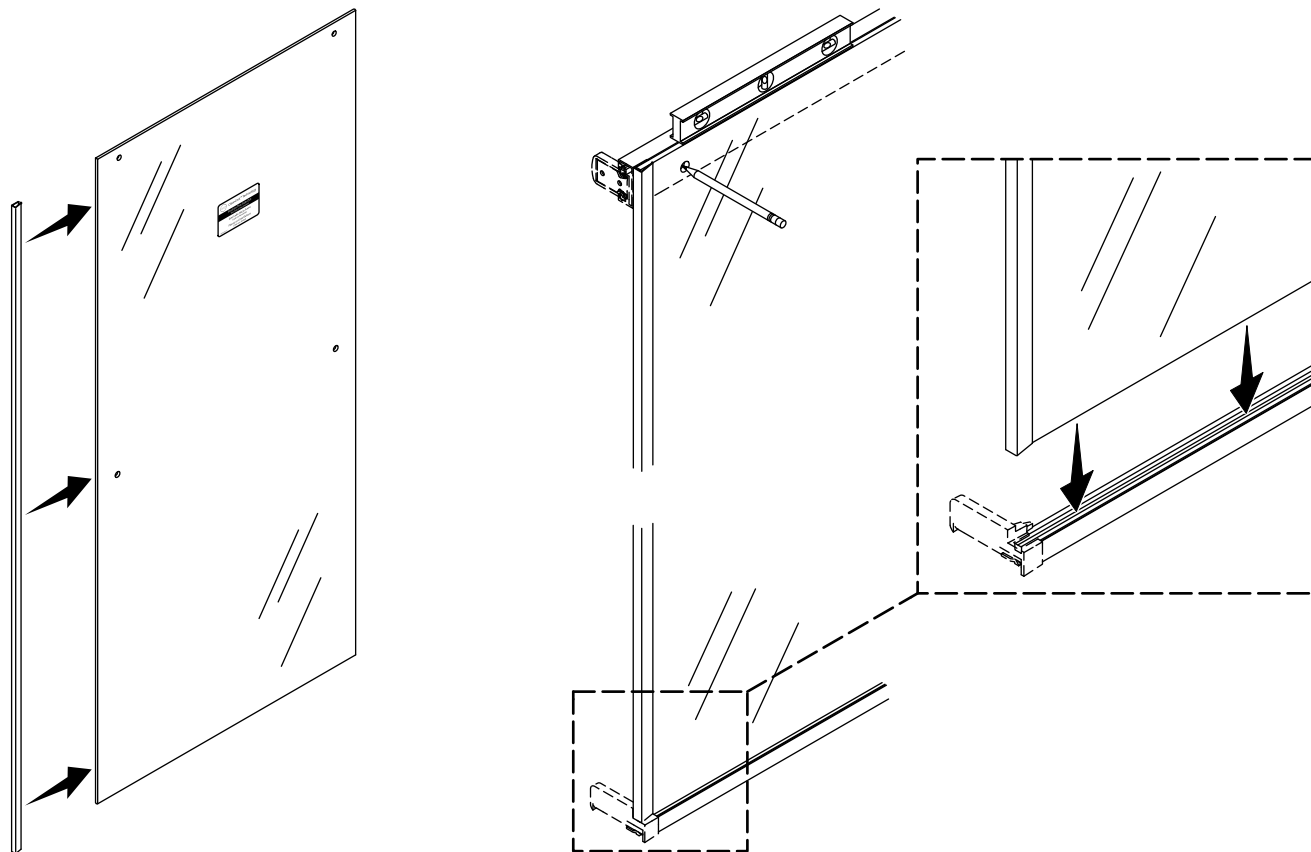


⚠ ATTENTION : Risque d'endommagement du produit. Une encoche est requise sur le butoir pour le côté panneau fixe seulement. Un renforcement sur le dessus intérieur du butoir indique l'emplacement où l'encoche doit être découpée. **Ne pas découper une encoche dans le butoir du panneau coulissant.**

REMARQUE : Le panneau fixe devrait être installé sur le côté se trouvant à l'opposé de la pomme de douche.

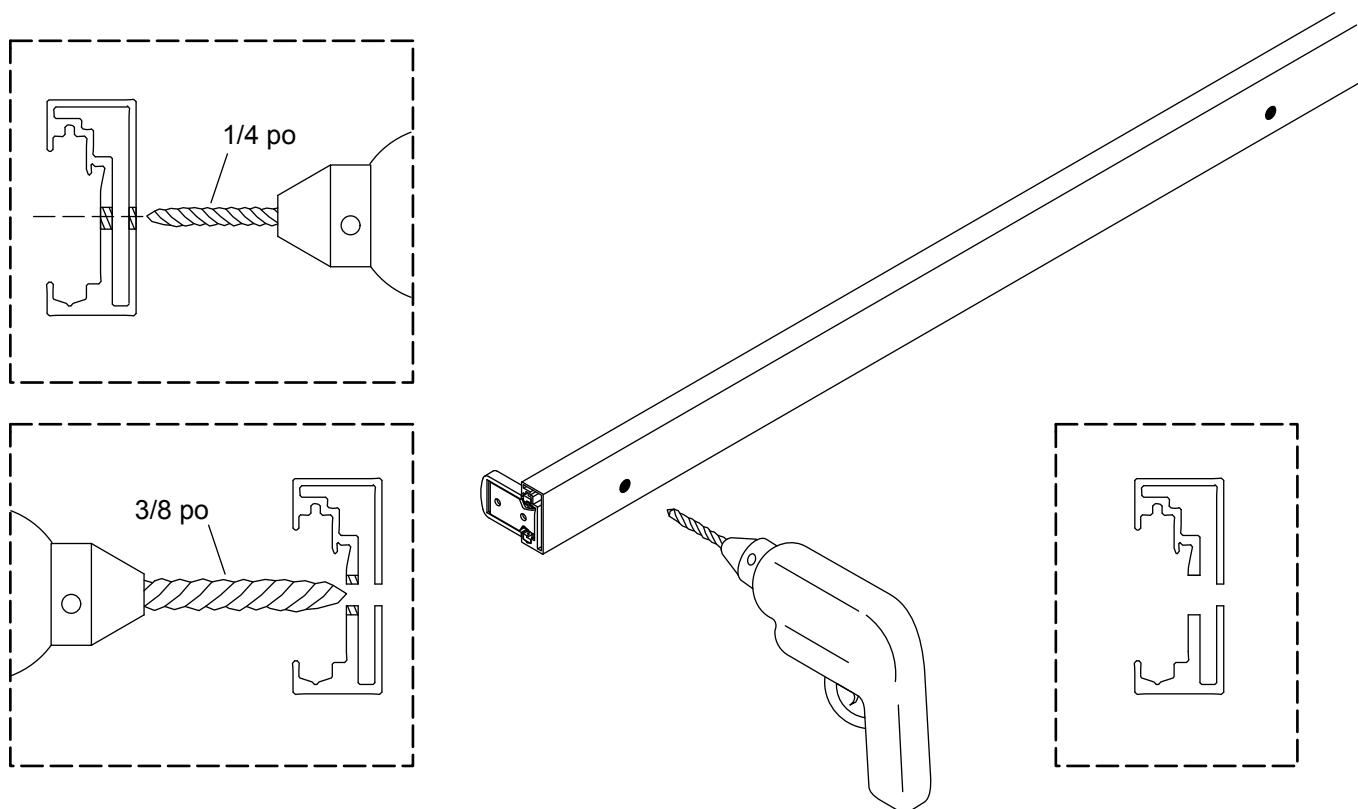
- Retirer le butoir du côté du panneau fixe.
- Découper une encoche dans le butoir du côté du panneau fixe le long de l'encoche le dessus intérieur du butoir.
- Réinstaller le butoir du côté du panneau fixe.
- Mesurer la largeur du bas du panneau fixe et soustraire 5/8 po (16 mm).
- Marquer la mesure sur le joint d'étanchéité du seuil et couper à longueur.
- Glisser le joint d'étanchéité du seuil dans le canal du seuil et aligner le joint d'étanchéité avec l'avant du butoir.
- Enfoncer le reste du joint d'étanchéité du seuil dans la rainure se trouvant sur le seuil.

10. Préparer le panneau fixe



- Retirer les protecteurs de coins du panneau coulissant.
- Aligner le dessus du joint d'étanchéité mural pour le panneau fixe avec le bord supérieur du panneau fixe qui sera installé contre le mur. Ne pas retirer le dos adhésif pour l'instant.
- Vérifier que l'étiquette sur le panneau est tournée vers l'extérieur de la douche, puis presser le joint d'étanchéité sur le panneau.
- Positionner le panneau fixe dans la canal dans le joint d'étanchéité du seuil et pencher le haut du panneau contre le linteau.
- Vérifier que le haut du linteau et le haut du panneau fixe sont alignés.
- Glisser le panneau fixe contre le mur.
- Marquer les emplacements des trous du panneau fixe sur le linteau.
- Retirer avec précaution le panneau fixe et le mettre de côté un endroit sûr.

11. Percer les trous du linteau

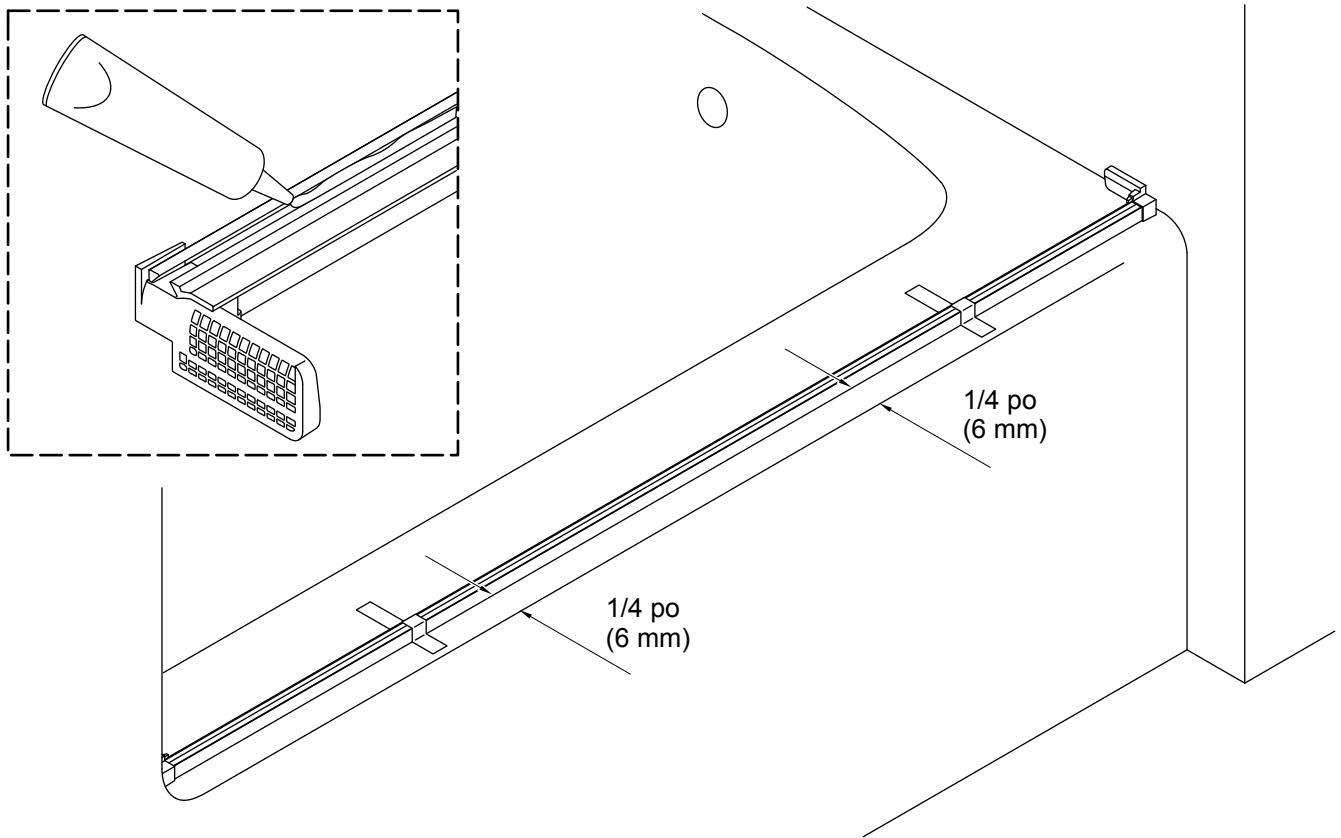


⚠ ATTENTION : Risque de blessures. Placer les mains loin des emplacements de perçage lors du perçage à travers le linteau.

⚠ ATTENTION : Risque d'endommagement du produit. Les rails de rouleaux doivent être exempts de tous débris. Nettoyer le linteau sous tous les angles après le perçage.

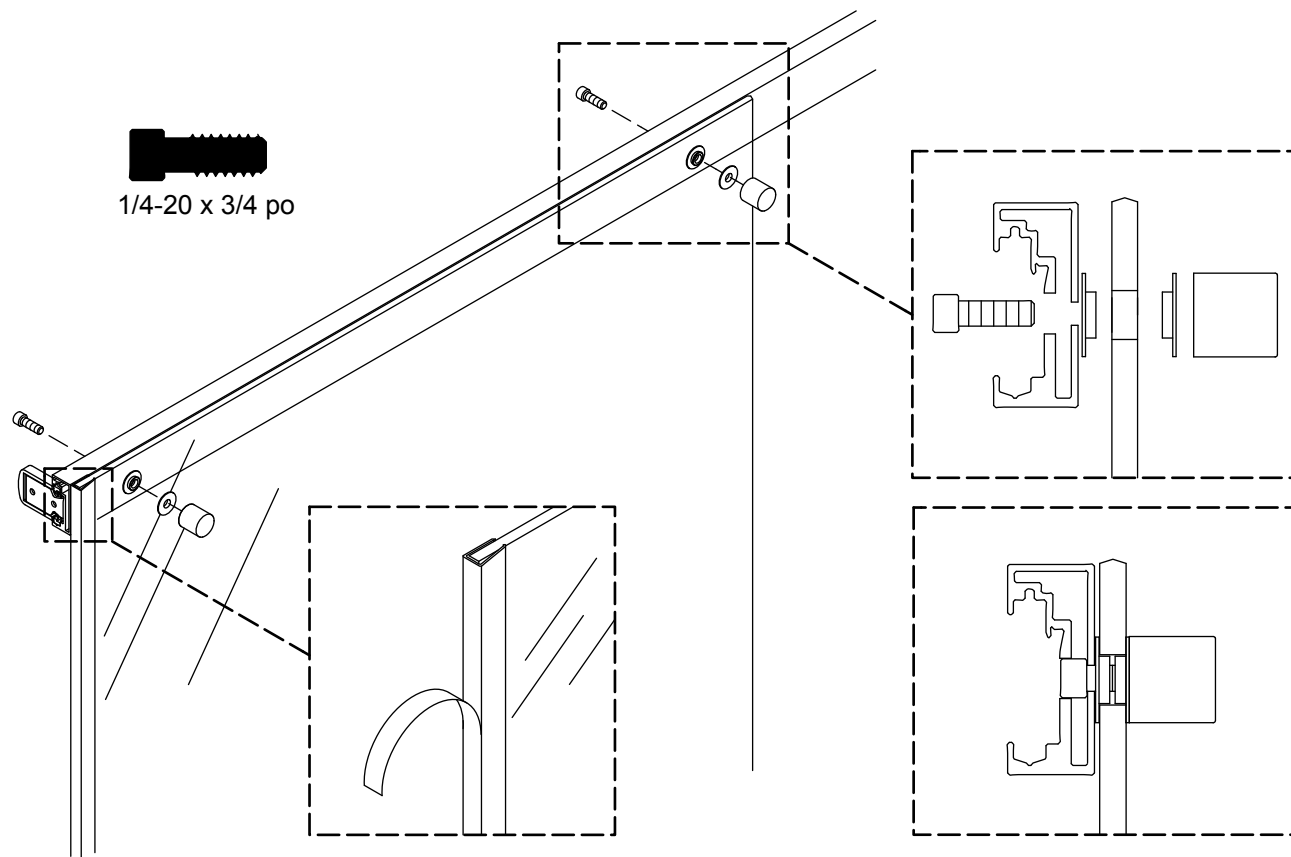
- Percer des trous de 1/4 po à travers les deux murs du linteau aux emplacements marqués.
- À partir de l'intérieur de la douche, utiliser une mèche de 3/8 po pour agrandir les trous de 1/4 po sur le mur arrière du linteau. **Ne pas percer à travers les trous sur le mur avant du linteau.**
- Nettoyer le linteau sous tous les angles. S'assurer qu'aucun débris n'est présent dans les rails des galets.

12. Installer le seuil



- Vérifier que l'emplacement du seuil est marqué sur la base de la douche/le rebord de la baignoire.
- Retirer le seuil.
- Nettoyer la surface du rebord et de la douche avant de continuer.
- Appliquer du mastic à la silicone à 100% sur la rainure dans le fond du seuil.
- Fixer le seuil de manière sécurisée au ruban adhésif dans l'emplacement précédent.

13. Installer le panneau fixe

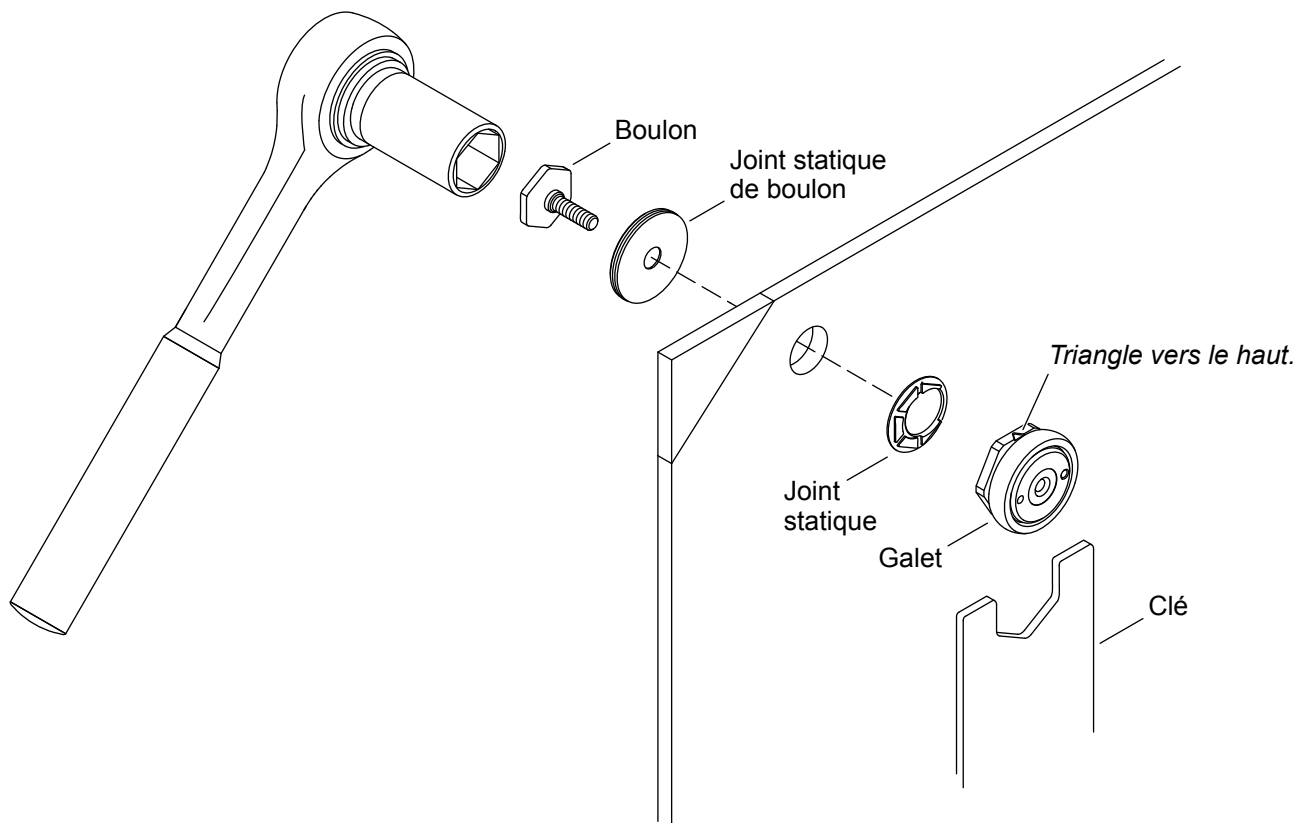


- Installer une vis à pans creux (fournie) dans les trous situés dans le mur arrière du linteau.
- Poser un joint statique sur chacune des vis qui fait saillie du mur avant du linteau.
- Appliquer un boudin de mastic à la silicone à 100% dans le fond du joint d'étanchéité du seuil.
- Retirer le dos adhésif du joint d'étanchéité mural du panneau fixe.
- Positionner le panneau fixe dans la canal dans le seuil et pencher le haut du panneau contre le linteau.
- Poser un joint statique sur chacune des vis qui fait saillie des trous dans le panneau fixe.
- Enfiler un écrou sur chaque vis.
- Serrer la vis à partir de l'intérieur du linteau avec une clé hexagonale de 3/16 po.

IMPORTANT! La tête des vis doit être à ras du mur intérieur du linteau lorsqu'elles sont serrées afin de ne pas interférer avec le fonctionnement de la porte.

- Appuyer le joint d'étanchéité mural tout contre le mur si un écartement est présent.
- Installer le porte-serviettes sur le panneau fixe en utilisant les instructions séparées fournies.

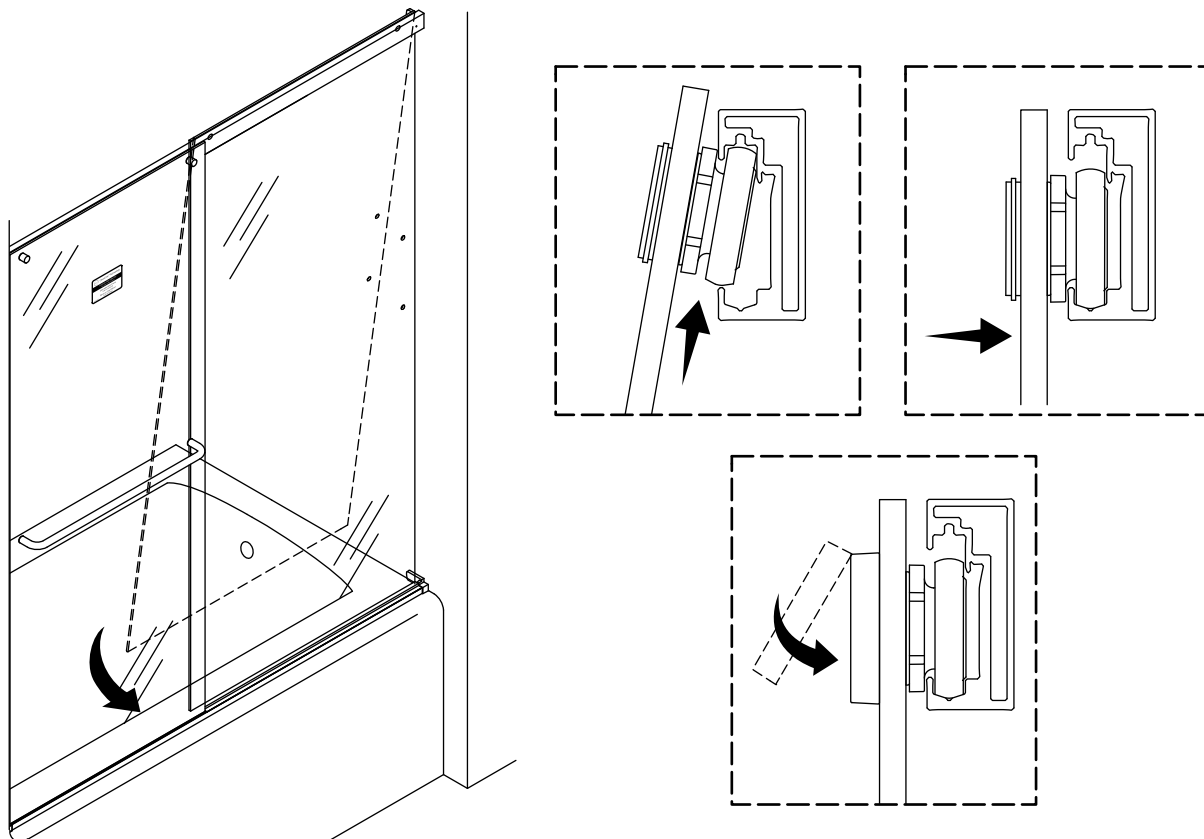
14. Remplacer les galets



AVIS : Une forme de triangle est moulée sur l'un des méplats du galet.

- Orienter le panneau de porte coulissant de manière à ce que les trous de la poignée se trouvent du côté de l'ouverture de la douche.
- Positionner le galet et le joint statique sur le côté extérieur du panneau, et insérer la came du galet dans le trou.
- Orienter le galet de manière à ce que le triangle soit pointé vers le haut. Cela met la porte à sa position la plus basse, ce qui facilite les réglages.
- Serrer solidement le galet sur le verre à la main avec le joint statique et le boulon.
- Positionner la clé fournie sur le galet et une clé à douilles de 3/4 po sur le boulon.
- Serrer solidement le galet sur le panneau. Le joint statique pourrait fléchir lors du serrage du boulon.
- Répéter ces étapes pour le deuxième galet.

15. Installer le panneau coulissant

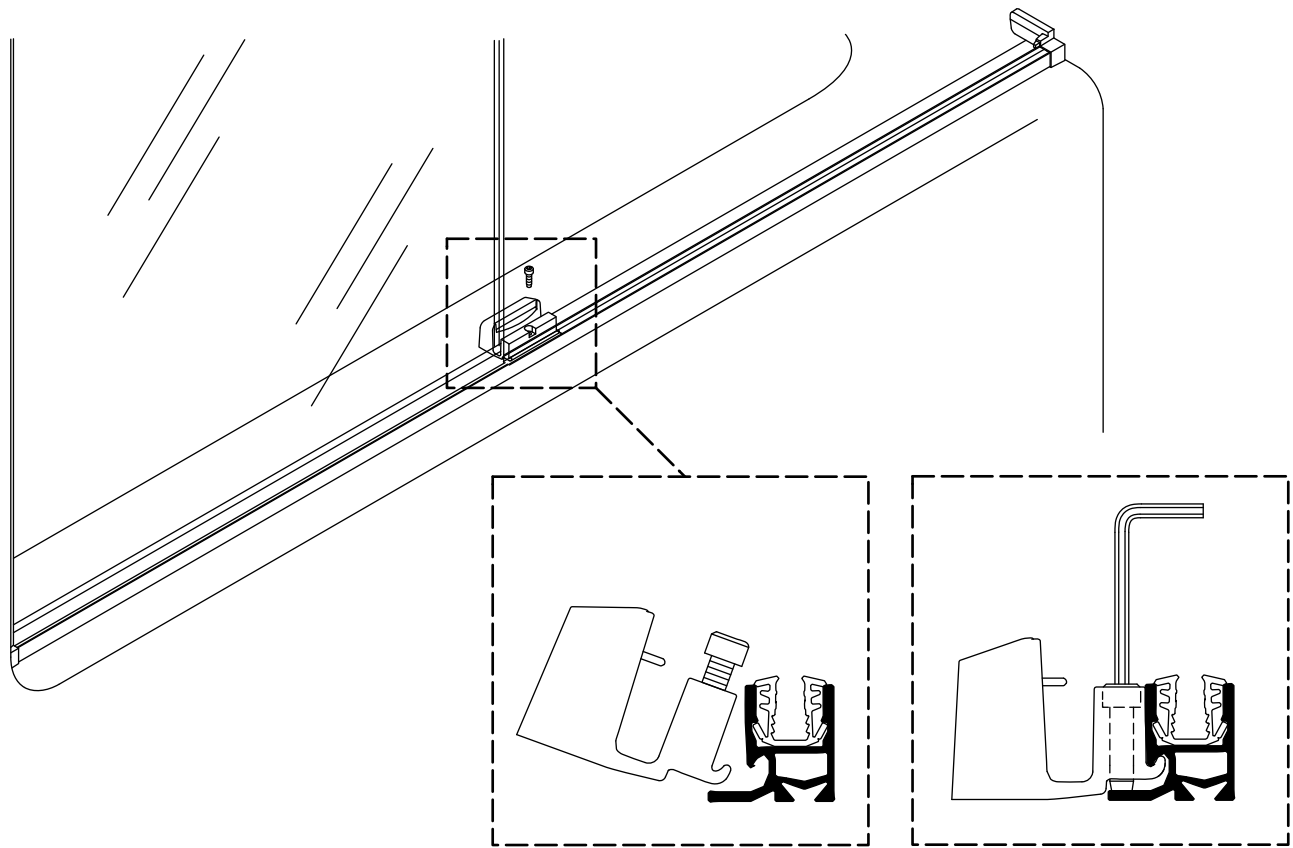


⚠ ATTENTION : Risque d'endommagement du produit. Nettoyer le linteau avec précaution et sous tous les angles. S'assurer qu'aucun débris n'est présent dans les rails des galets.

REMARQUE : Les galets sont tournés vers l'extérieur de la douche.

- Retirer les protecteurs de coins du panneau coulissant.
- Avec de l'aide à partir de l'intérieur de la douche, incliner le panneau pour positionner les dessus des galets à l'intérieur du linteau. Faire reposer les galets sur le rail inférieur du linteau et mettre le panneau en place.
- S'assurer que le panneau peut avoir un mouvement de va-et-vient sans heurts. Si nécessaire, ajuster les galets selon les instructions de la section « Ajustement et entretien des panneaux ».
- Enfoncer les couvercles de galets sur les boulons de galets.

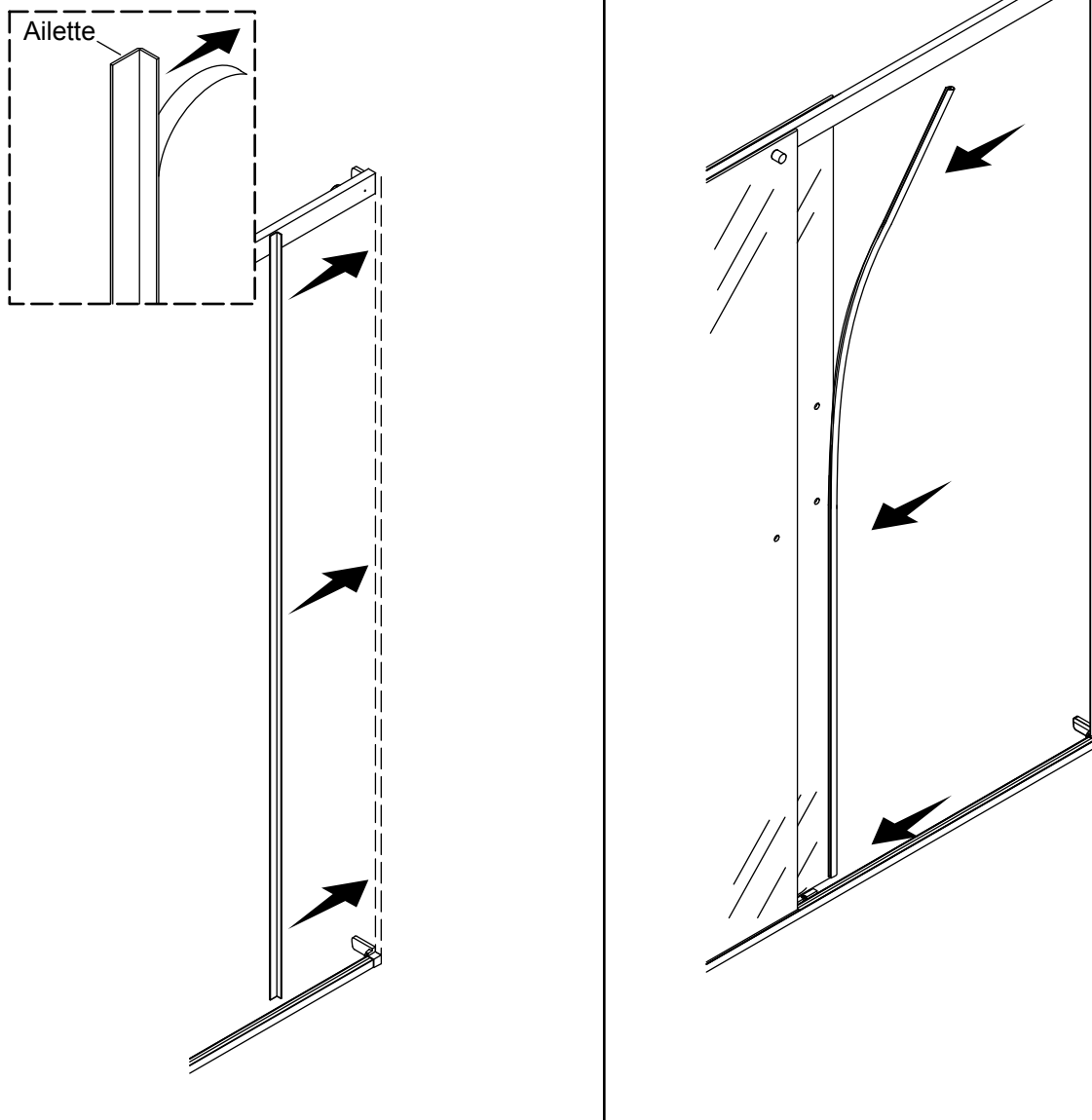
16. Installer le guide central



IMPORTANT! Le guide central doit être entièrement assis à l'arrière de la lèvre du seuil, comme sur l'illustration.

- Glisser le panneau de porte sur l'extrémité du panneau fixe de la douche.
- Enfiler la vis partiellement dans le trou du guide central. La vis ne doit pas faire saillie à partir du fond du guide central.
- Tourner le guide central pour le mettre en place dans la rainure du seuil comme sur l'illustration.
- Glisser le panneau de porte dans le canal du guide central.
- Déplacer le guide central le long du seuil jusqu'à ce que le bord du guide soit aligné sur le bord du panneau fixe.
- Serrer la vis à la main avec une clé hexagonale de 5/32 po, puis serrer d'un demi-tour supplémentaire.

17. Installer les joints restants



- Retirer le dos adhésif du joint d'étanchéité mural du panneau coulissant.

REMARQUE : L'ailette se trouvant sur le joint d'étanchéité mural en forme de L doit être tournée vers l'intérieur de la douche.

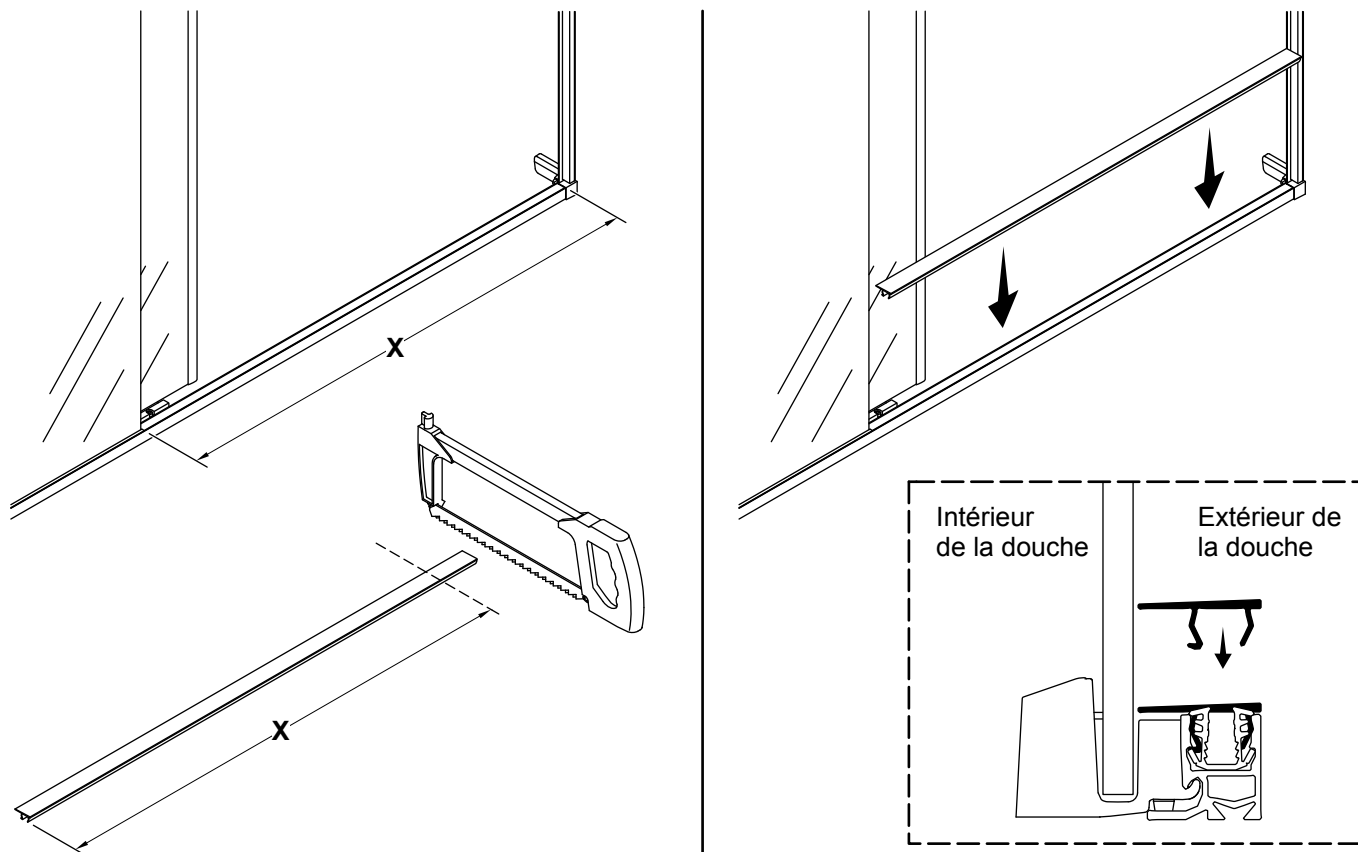
REMARQUE : Le joint d'étanchéité mural peut être raboté pour s'adapter sous le linteau, si souhaité.

- En commençant par le bas, faire reposer le joint d'étanchéité mural du côté du panneau coulissant sur le butoir inférieur et appuyer contre le mur.
- Vérifier que le joint d'étanchéité mural est de niveau et d'aplomb.

REMARQUE : Le joint d'étanchéité du panneau coulissant doit être assis au-dessus du butoir lorsque le panneau coulissant est fermé.

- Enfoncer le joint d'étanchéité du panneau coulissant sur l'extrémité du verre du panneau coulissant le plus proche de la pomme de douche.

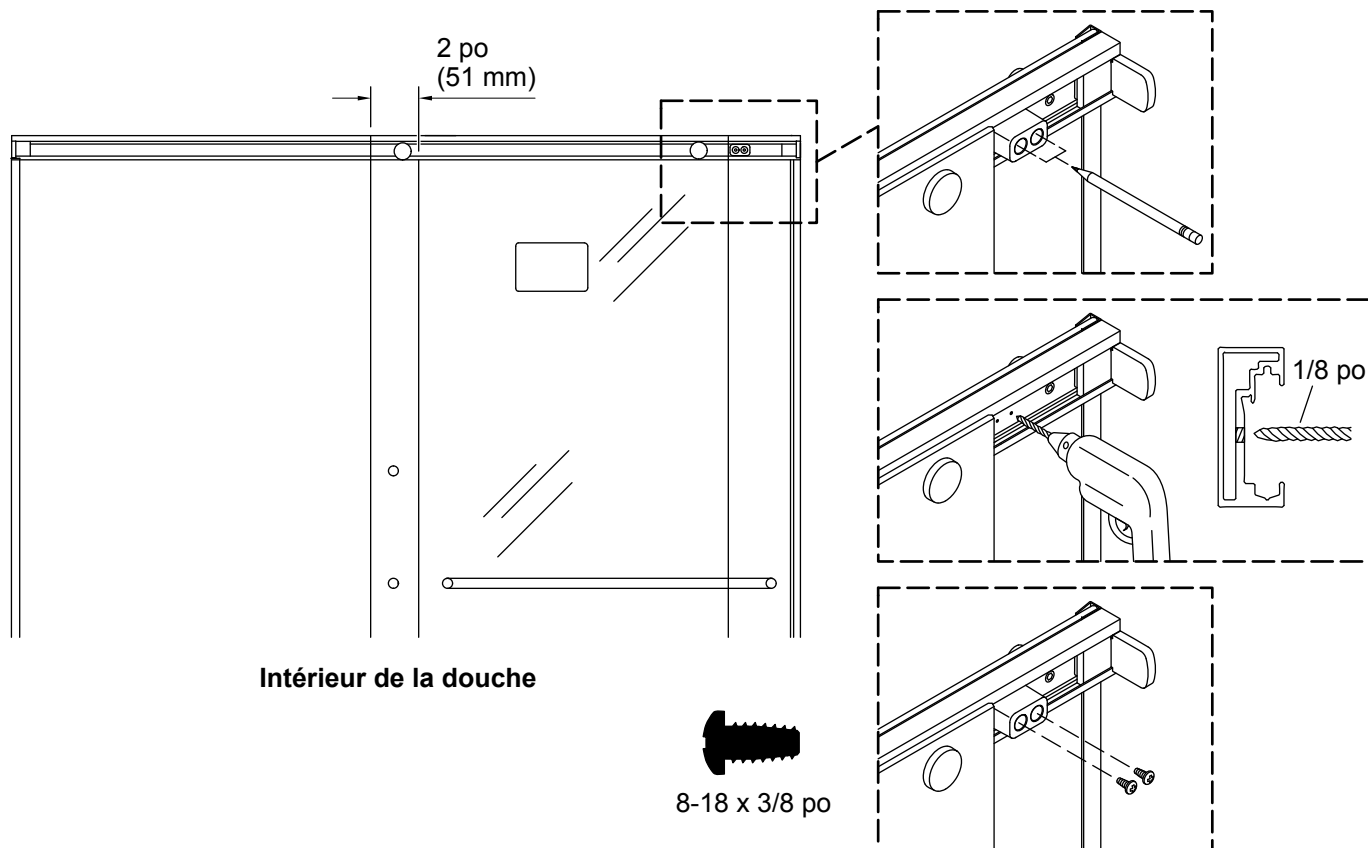
18. Installer le couvercle du seuil



⚠ AVERTISSEMENT : Risque de blessures graves. Toujours porter des lunettes de sécurité pendant la découpe et le perçage.

- Mesurer entre le bord du panneau fixe et le butoir du côté ouvert et marquer la mesure sur le couvercle du seuil.
- À l'aide d'une scie égoïne, couper le couvercle du seuil au niveau de la ligne marquée.
- Orienter l'aileron sur le couvercle vers l'intérieur de la douche, puis le presser dans la rainure du seuil.

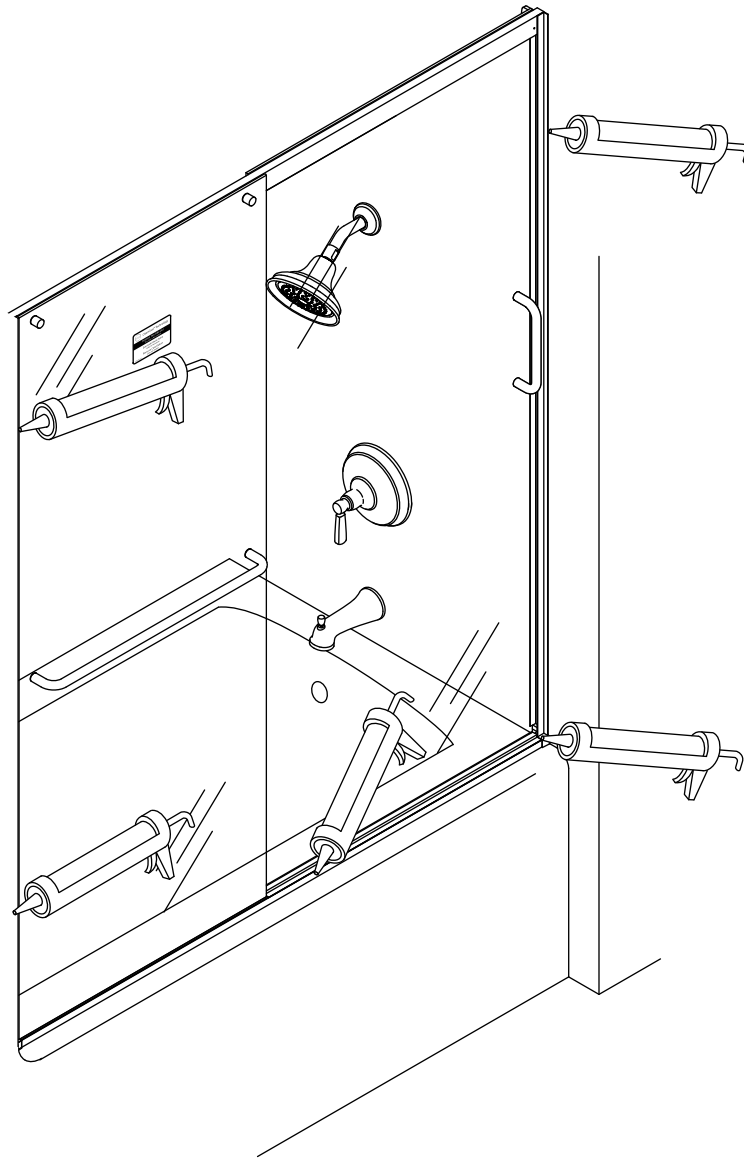
19. Installer le butoir supérieur



REMARQUE : Le butoir supérieur est requis pour les tailles de portes de 54 po (1372 mm), 66 po (1676 mm), et 72 po (1829 mm). Installer le butoir supérieur s'il est fourni. S'il n'est pas fourni, passer à la section suivante.

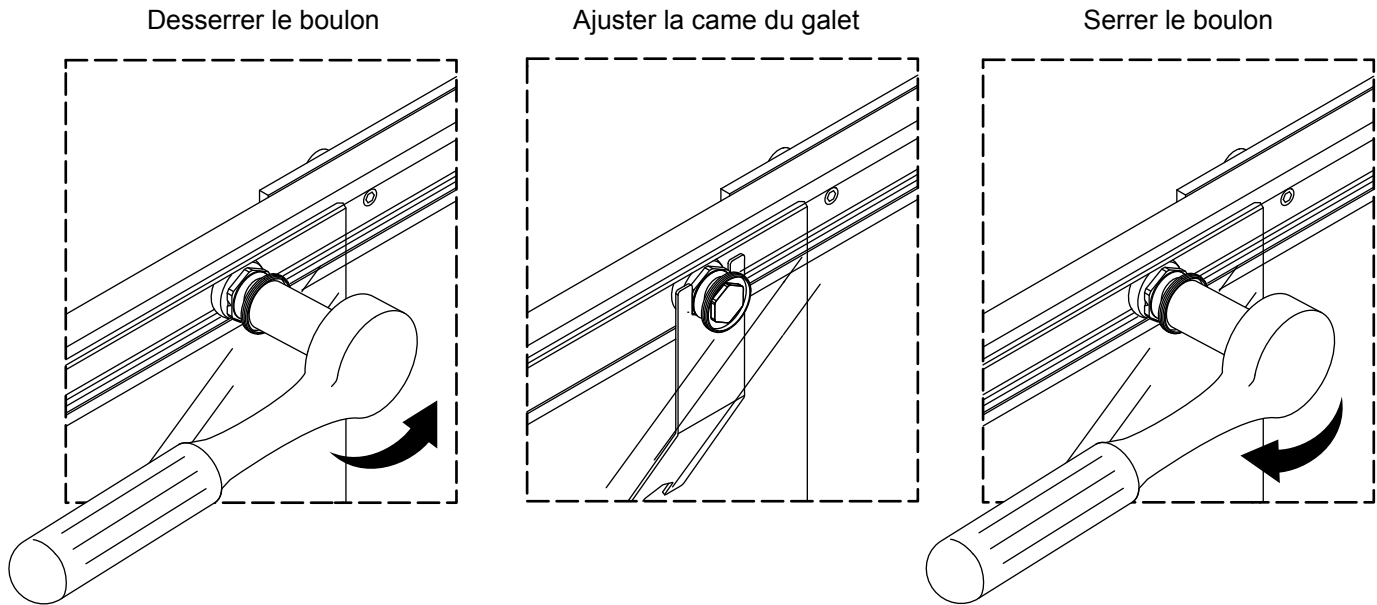
- Glisser la porte en position ouverte jusqu'à ce que le bord du panneau coulissant se trouve à 2 po (51 mm) du bord du panneau fixe.
- À partir de l'intérieur de la douche, glisser le butoir le long du linteau jusqu'à ce qu'il entre en contact avec le bord du panneau coulissant.
- Marquer les emplacements des deux trous de vis.
- Retirer le butoir et percer un trou de 1/8 po au niveau de chacun des emplacements marqués. **Seulement percer à travers le mur intérieur du linteau.**
- Remettre le butoir à l'intérieur du linteau et fixer en place avec deux vis n° 8-18 x 3/8 po (fournies).

20. Terminer l'installation



- Appliquer du mastic à la silicone à 100% le long des joints d'étanchéité muraux verticaux à l'extérieur de la douche/baignoire.
- Appliquer du mastic d'étanchéité à la silicone à 100% sur le bord extérieur du seuil.
- Installer la poignée sur le panneau coulissant en utilisant les instructions séparées fournies.

Ajustement et entretien des panneaux



AVIS : Les panneaux pourraient nécessiter un ajustement pour assurer qu'ils touchent les butoirs du haut et du bas dans la position fermée appropriée.

- Pour ajuster les panneaux, desserrer le boulon des galets avec une clé à douilles de 3/4 po. **Ne pas desserrer excessivement!**
- Ajuster l'alignement de chaque extrémité du panneau en tournant le galet avec la clé fournie.
- Continuer jusqu'à ce que la porte fonctionne avec souplesse, s'aligne uniformément avec les murs de la douche, et que les panneaux de porte touchent les butoirs du haut et du bas en même temps.
- Lorsque terminé, bien serrer les deux boulons du galet.

Entretien

- Vérifier le serrage des galets tous les ans.
- Conserver la clé fournie pour un ajustement ou un resserrage ultérieurs.

Ce guide de dépannage est seulement destiné à fournir une aide d'ordre général. Pour des problèmes ou questions concernant l'entretien et l'installation, composer le 1-800-4KOHLER.

Symptômes	Cause probable	Action recommandée
1. La porte fait du bruit lorsqu'elle est ouverte ou fermée.	<p>A. Le support pourrait être installé trop loin hors du niveau.</p> <p>B. Les panneaux de porte sont placés trop bas, et raclent la base du guide central ou la base de la douche/le rebord de la baignoire.</p> <p>C. Les galets sont desserrés.</p> <p>D. Les galets sont usés et bruyants.</p> <p>E. Des débris sont présents dans le rails des galets.</p>	<p>A. Retirer les panneaux et le linteau, et égaliser le support. Si le support ne peut pas être égalisé, appeler le service à la clientèle.</p> <p>B. Ajuster les galets pour élever les panneaux de porte. Se reporter à la section « Ajustement et entretien de panneaux ».</p> <p>C. Serrer les boulons de galets avec les outils nécessaires et la clé fournie.</p> <p>D. Remplacer les galets.</p> <p>E. Retirer le panneau de porte et nettoyer le rail de galets avec de l'air comprimé ou un chiffon propre. Vérifier qu'aucun débris ne se trouve sur les galets.</p>
2. Il est difficile de déplacer la porte ou elle ne s'ouvre pas.	<p>A. Les panneaux de porte sont placés trop bas, et raclent la base du guide central ou la base de la douche/le rebord de la baignoire.</p> <p>B. Les linteaux ne sont pas sécurisés sur les supports.</p> <p>C. Les galets sont desserrés.</p>	<p>A. Ajuster les galets pour élever les panneaux de porte. Se reporter à la section « Ajustement et entretien de panneaux ».</p> <p>B. Vérifier que le linteau est bien fixé sur les supports avec la vis auto-perceuse 8-32 x 3/8 po fournie.</p> <p>C. Serrer les boulons de galets avec les outils nécessaires et la clé fournie.</p>
3. Les panneaux de la porte peuvent basculer librement vers l'intérieur ou l'extérieur de la douche.	<p>A. Le guide central n'est pas installé.</p> <p>B. Le guide central n'est pas installé dans l'emplacement correct.</p> <p>C. Les panneaux de porte ne sont pas installés correctement sur le guide central.</p> <p>D. Les panneaux de porte sont trop élevés.</p>	<p>A. Installer le guide central selon les instructions.</p> <p>B. Installer le guide central dans l'ouverture de passage et de manière à ce qu'il soit aligné sur le bord du panneau fixe.</p> <p>C. Les panneaux en verre doivent être positionnés dans les canaux du guide central.</p> <p>D. Ajuster les galets pour abaisser les panneaux. Se reporter à la section « Ajustement et entretien de panneaux ».</p>
4. Le guide central est desserré.	<p>A. La vis du guide central n'est pas entièrement serrée.</p>	<p>A. Serrer la vis à la main avec une clé hexagonale de 5/32 po, puis serrer d'un demi-tour supplémentaire.</p>

Symptômes	Cause probable	Action recommandée
<p>5. Fuites d'eau.</p>	<p>A. Fuites d'eau sous le seuil. B. Fuites d'eau sous un panneau de porte. C. Fuites d'eau sous un panneau de porte. D. Fuites d'eau autour du joint d'étanchéité mural. E. Fuites d'eau autour du joint d'étanchéité mural. F. Fuites d'eau dans le fond du joint d'étanchéité mural et par-dessus le seuil. G. Fuites d'eau entre le mur et le joint d'étanchéité mural.</p>	<p>A. Appliquer du mastic d'étanchéité à la silicone à 100% sur le bord extérieur du seuil. Laisser prendre le mastic d'étanchéité selon les instructions du fabricant avant d'utiliser la douche. B. Ajuster les galets pour abaisser les panneaux de porte et les rapprocher de la base de la douche/du rebord de la douche. Se reporter à la section « Ajustement et entretien de panneaux ». C. Vérifier la hauteur du linteau. Le haut du linteau doit être aligné avec le haut des joints d'étanchéité muraux. D. Ajuster le panneau de porte de manière à ce que le panneau touche les butoirs du haut et du bas. Essayer de ne pas projeter de l'eau directement sur les panneaux de porte. E. Installer le joint d'étanchéité du panneau coulissant sur le panneau coulissant et le placer entre les butoirs du haut et du bas. S'assurer que le joint d'étanchéité du panneau coulissant est aligné avec le haut du butoir inférieur. F. Si un écart est présent entre le bas du joint d'étanchéité mural et le haut du seuil et les butoirs du bas, siliconer cette zone. G. Appliquer du mastic à la silicone à 100% à l'emplacement où le mur entre en contact avec le montant mural, à l'intérieur et à l'extérieur de la douche. Laisser prendre le mastic d'étanchéité selon les instructions du fabricant avant d'utiliser la douche.</p>
<p>6. La poignée frappe le panneau fixe lorsque la porte est ouverte.</p>	<p>A. Le butoir supérieur supplémentaire n'a pas été positionné correctement ou il s'est déplacé.</p>	<p>A. Placer le butoir supérieur supplémentaire dans l'emplacement correct selon les instructions.</p>

Instrucciones de instalación

Puerta corrediza de ducha

Gracias por elegir productos KOHLER

¿Necesita ayuda? Comuníquese con nuestro Centro de Atención al Cliente.

EE.UU./Canadá: 1-800-4KOHLER (1-800-456-4537)

México: 001-800-456-4537

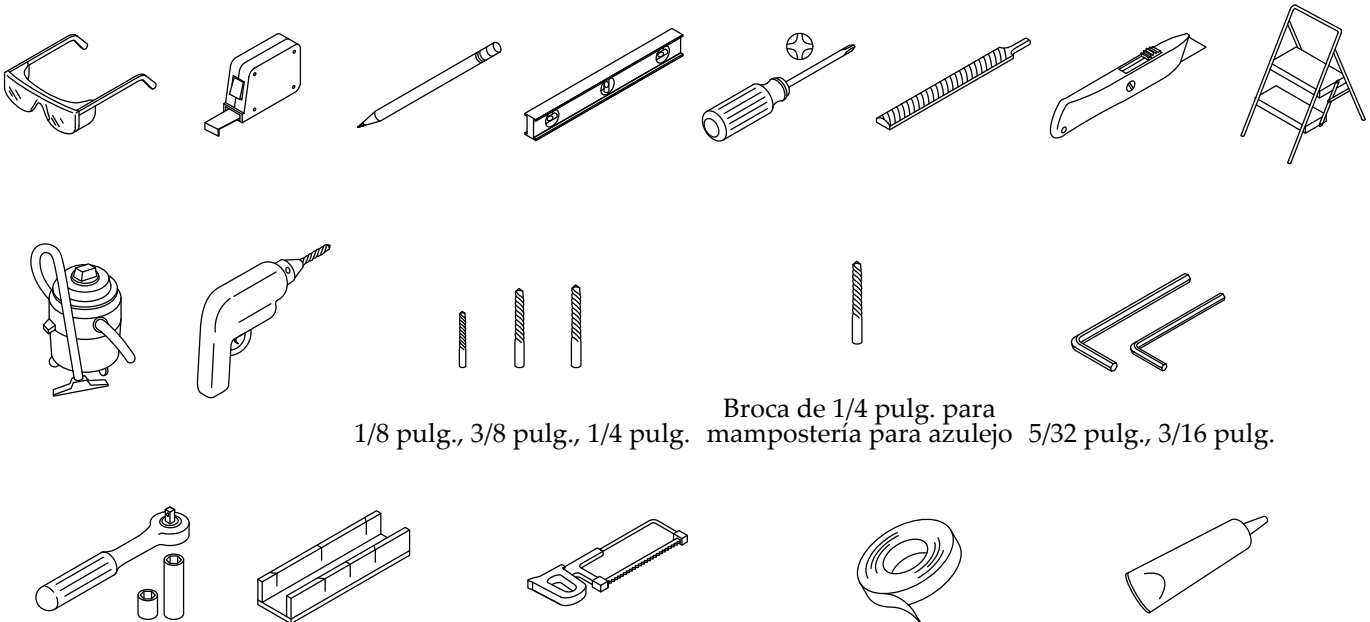
Para consultar información sobre piezas de repuesto, visite kohler.com/serviceparts.

Para consultar información de cuidado y limpieza, visite kohler.com/clean.

Garantía

A este producto lo cubre la **Garantía limitada de un año de KOHLER®**, que puede consultarse en kohler.com/warranty. Solicite una copia en papel de los términos de la garantía al Centro de Atención al Cliente.







Herramientas y materiales



Broca de 1/4 pulg. para
mampostería para azulejo 5/32 pulg., 3/16 pulg.

Dado de 7/16 pulg. Caja de ingletes Cuchilla de 32 dientes/pulg. Cinta de enmascarar Sellador 100% de silicona

Antes de comenzar

- ES**
-  **AVISO: Riesgo de lesiones graves.** Daños anteriores a la instalación pueden ocasionar que el vidrio se quiebre en pedazos. Antes de hacer la instalación, revise el vidrio y todas las piezas para ver si presentan daños.
 -  **AVISO: Riesgo de lesiones graves.** Si la instalación se hace de manera incorrecta, el vidrio podría quebrarse en pedazos. Siga todas las instrucciones de instalación.
 -  **AVISO: Riesgo de lesiones graves.** No corte el vidrio templado. El vidrio templado se quiebra en pedazos al tratar de cortarlo.
 -  **AVISO: Riesgo de lesiones graves.** Los paneles de puerta de la ducha podrían quebrarse en pedazos. Revise con regularidad el vidrio y todas las piezas para ver si presentan daños, si algo falta o si hay piezas sueltas.
 -  **AVISO: Riesgo de lesiones graves.** Siempre use anteojos de seguridad al cortar y al taladrar.
 -  **PRECAUCIÓN: Riesgo de lesiones personales.** El vidrio templado no debe hacer contacto con superficies duras, pues podría quebrarse en pedazos. No toque el filo de un panel de vidrio templado con herramientas ni con ningún otro objeto duro.

¡IMPORTANTE! Deje este manual para el usuario final. Lea estas instrucciones antes de instalar o de utilizar este producto.

¡IMPORTANTE! Esta puerta está diseñada para paredes que estén a menos de 3/8" (10 mm) de estar a plomo. Verifique que el área a la que se vaya a fijar la puerta esté a menos de 3/8" (10 mm) de estar a plomo. Es posible que la puerta no funcione correctamente si las paredes están fuera de plomo más de 3/8" (10 mm).

¡IMPORTANTE! No retire los protectores esquineros de los paneles de puerta, mientras no se hayan instalado estos paneles.

Cubra el desagüe con cinta de enmascarar para evitar perder piezas pequeñas.

Identifique todas las piezas antes de la instalación.

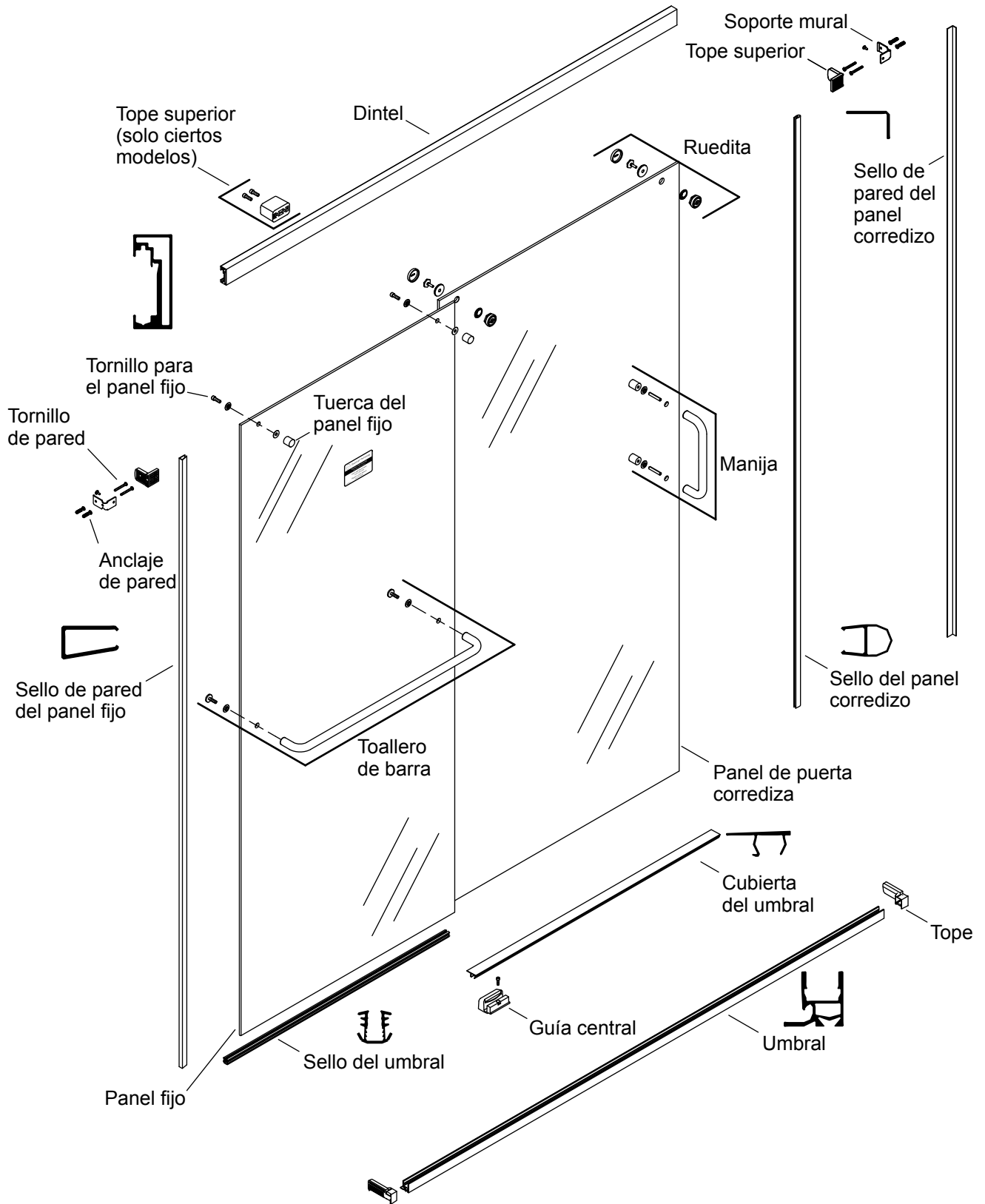
Siga las instrucciones de aplicación y de tiempo de curado del fabricante del sellador de silicona.

Se requieren dos personas para hacer esta instalación.

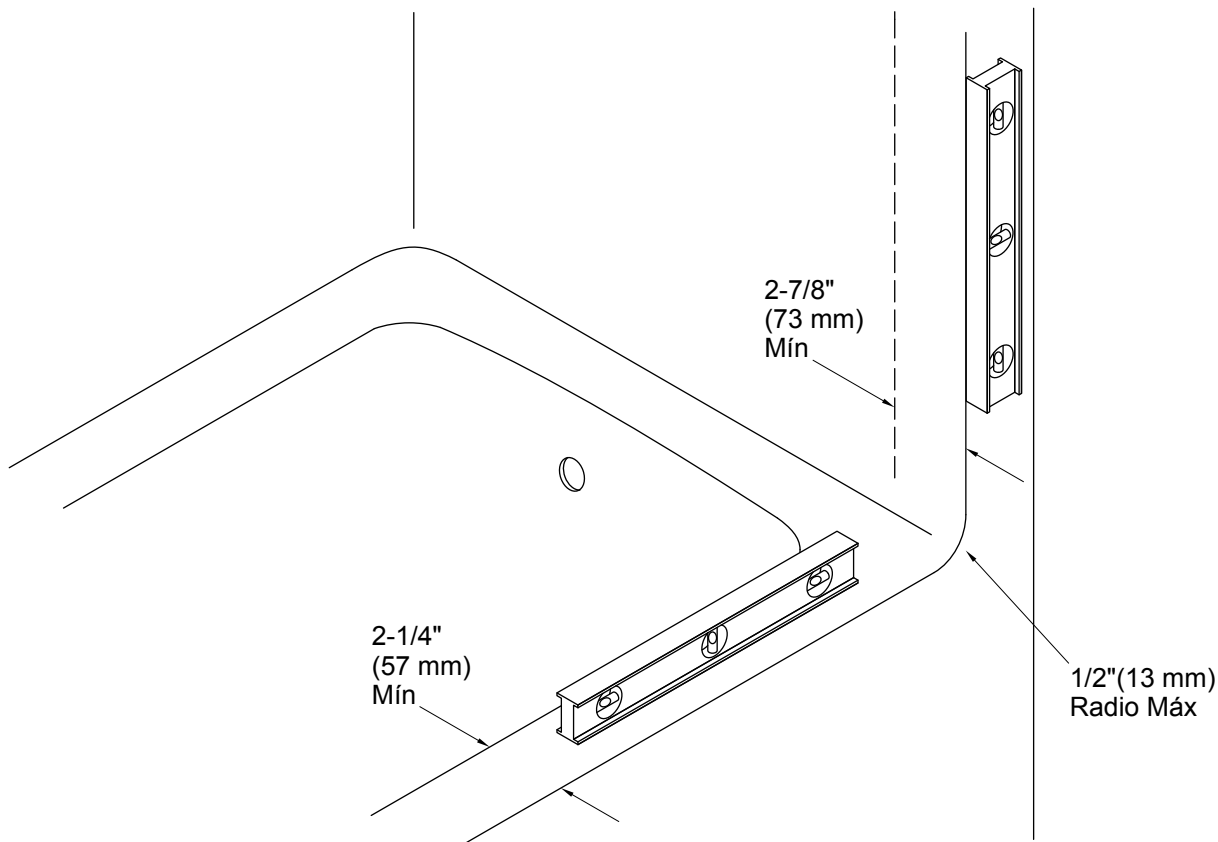
El panel fijo debe ser instalado en el lado opuesto de la cabeza de ducha.

Identificación de piezas

E
S



1. Confirme la compatibilidad de los rebordes y las paredes



¡IMPORTANTE! Para asegurar la alineación y el funcionamiento correctos, confirme que la base de la ducha o el reborde de bañera y las paredes cumplan los siguientes requisitos. No instale la puerta si no se cumplen estos requisitos.

Debe haber por lo menos 2-7/8" (64 mm) de superficie plana en la base de la ducha y en las paredes de la bañera.

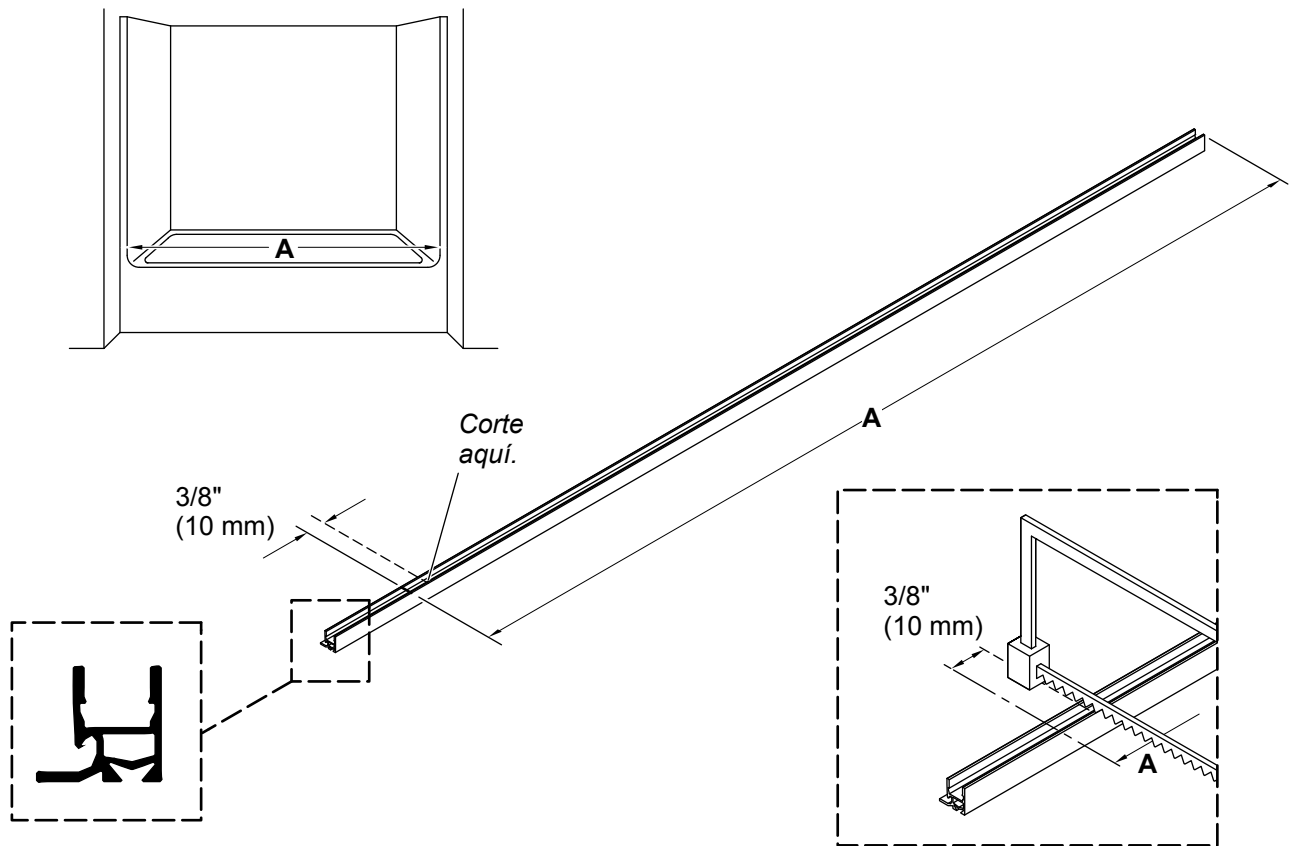
Debe haber por lo menos 2-1/4" (57 mm) de superficie plana en la base de la ducha y en el reborde de la bañera.

Las paredes deben quedar a menos de 3/8" (10 mm) de estar a plomo.

La base de la ducha o el reborde de bañera deben estar nivelados entre las paredes.

El radio de la base de la ducha o del reborde de la bañera donde hace contacto con la pared debe ser de 1/2" (13 mm) o menos.

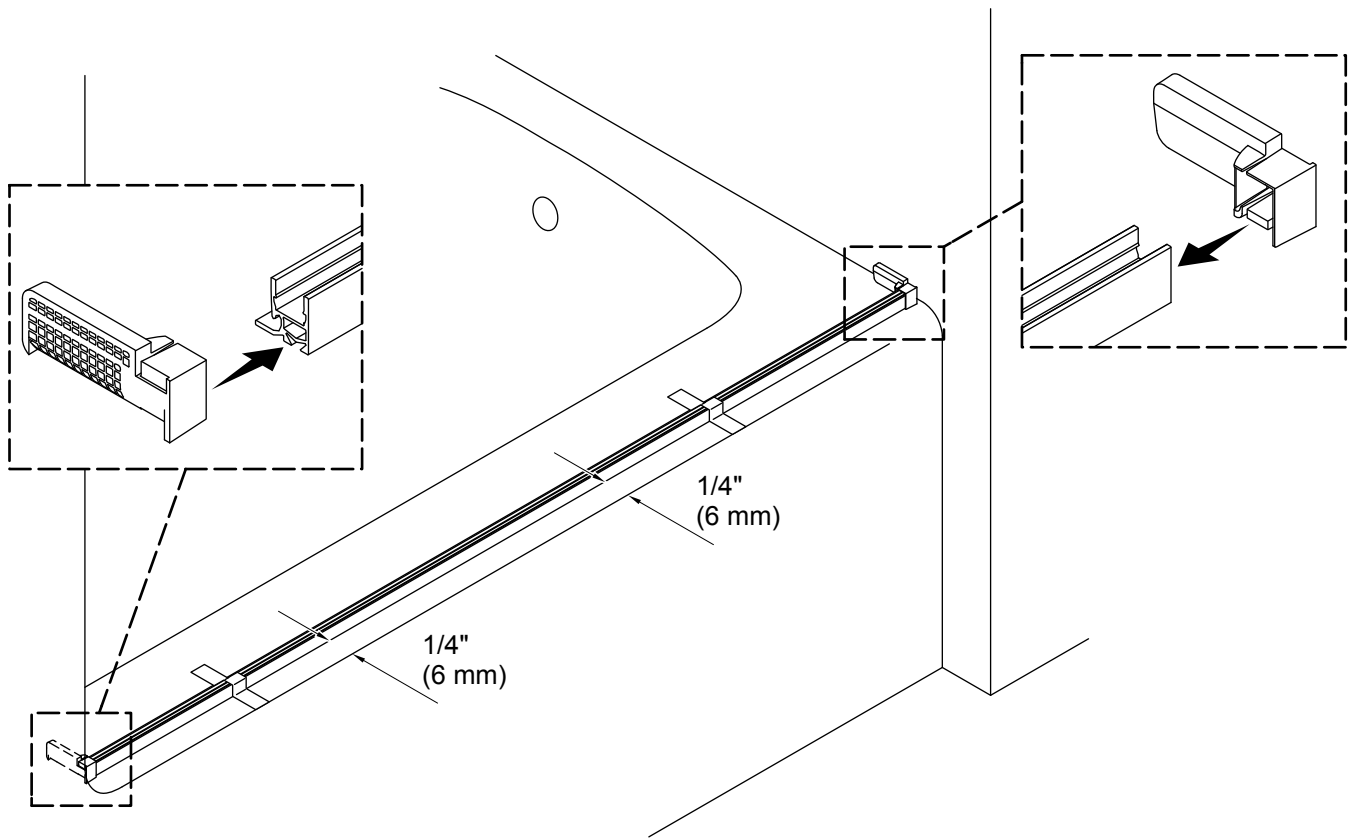
2. Mida y corte el umbral



⚠ AVISO: Riesgo de lesiones graves. Siempre use anteojos de seguridad al cortar y al taladrar.

- Proteja la superficie de la ducha con una lona.
- Mida la distancia "A" entre las paredes de la ducha, y márquela en el umbral.
- Mida 3/8" (10 mm) a partir de "A" y haga una segunda marca en el umbral, como se indica.
- Corte el umbral en la segunda marca y lime los bordes ásperos.

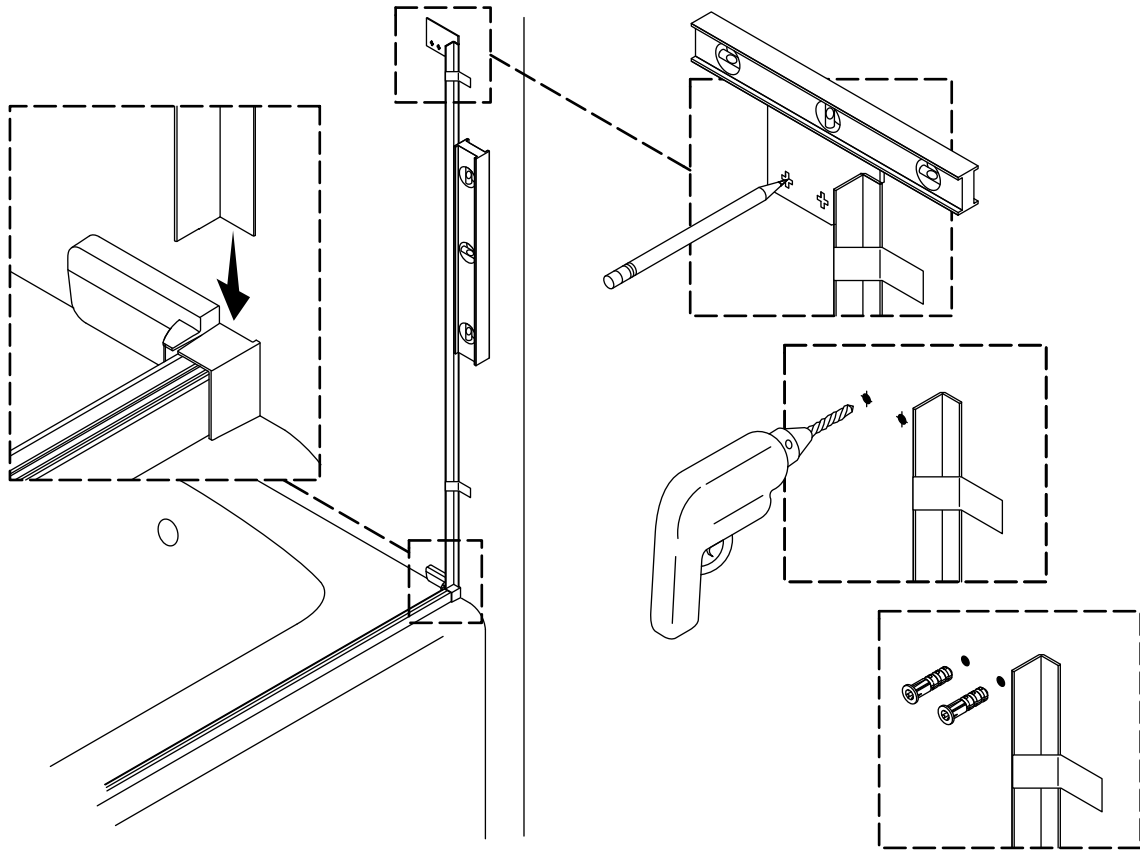
3. Coloque el umbral en su lugar



AVISO: El umbral debe quedar asentado sobre una superficie plana.

- De ser necesario, lime los extremos del umbral para igualarlos al radio de las esquinas de la pared de la ducha.
- De ser necesario, recorte los topes para igualarlos al radio de las esquinas de las paredes de la ducha.
- Meta a presión los topes en los extremos del umbral.
- Coloque el umbral de forma que quede a 1/4" (6 mm) a todo lo largo del reborde de la base de la ducha o de la bañera, y marque este lugar.
- Con cinta de enmascarar sujete con firmeza el umbral en su lugar a lo largo de la marca, centrado entre las paredes.
- Si hay alguna separación, oprima los topes contra las paredes.

4. Marque y taladre los orificios para los soportes murales



¡IMPORTANTE! El sello de pared debe estar nivelado y a plomo para poder instalar bien el dintel.

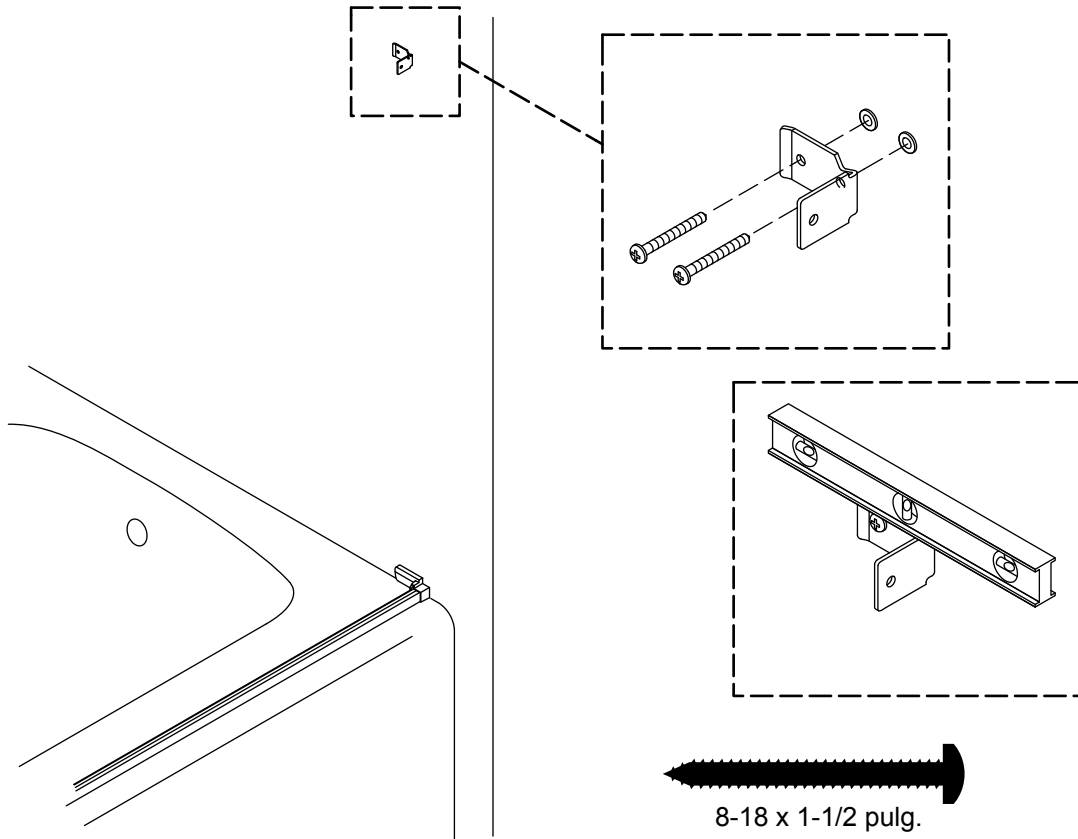
¡IMPORTANTE! Se usará el sello de pared del panel corredizo para medir los orificios para el soporte mural a ambos lados de la ducha.

¡IMPORTANTE! La ubicación de los orificios para los soportes murales es crítica. Asegúrese de que los orificios estén correctamente marcados y taladrados perpendiculares a la pared.

- Introduzca el sello de pared del panel corredizo en la canaleta en forma de L en el tope del lado del panel corredizo.
- Con un nivel y cinta de enmascarar fije el sello a la pared.
- Verifique que el sello de pared quede nivelado y a plomo.
- Coloque la plantilla para taladrar sobre uno de los sellos de pared, apuntando hacia dentro de la ducha, como se muestra.
- Verifique que la plantilla quede bien asentada sobre el sello de pared, plana contra la pared, y nivelada.
- Marque los lugares para los orificios, y retire la plantilla.
- Taladre orificios de 1/4 pulg. perpendiculares a la pared en los lugares marcados. **Asegúrese de que el taladro no esté diagonal al taladrar.**
- Instale los anclajes de pared que se incluyen. Asegúrese de que los anclajes queden asentados por completo contra la pared.
- Repita en la pared opuesta y use el mismo sello de pared del panel corredizo.

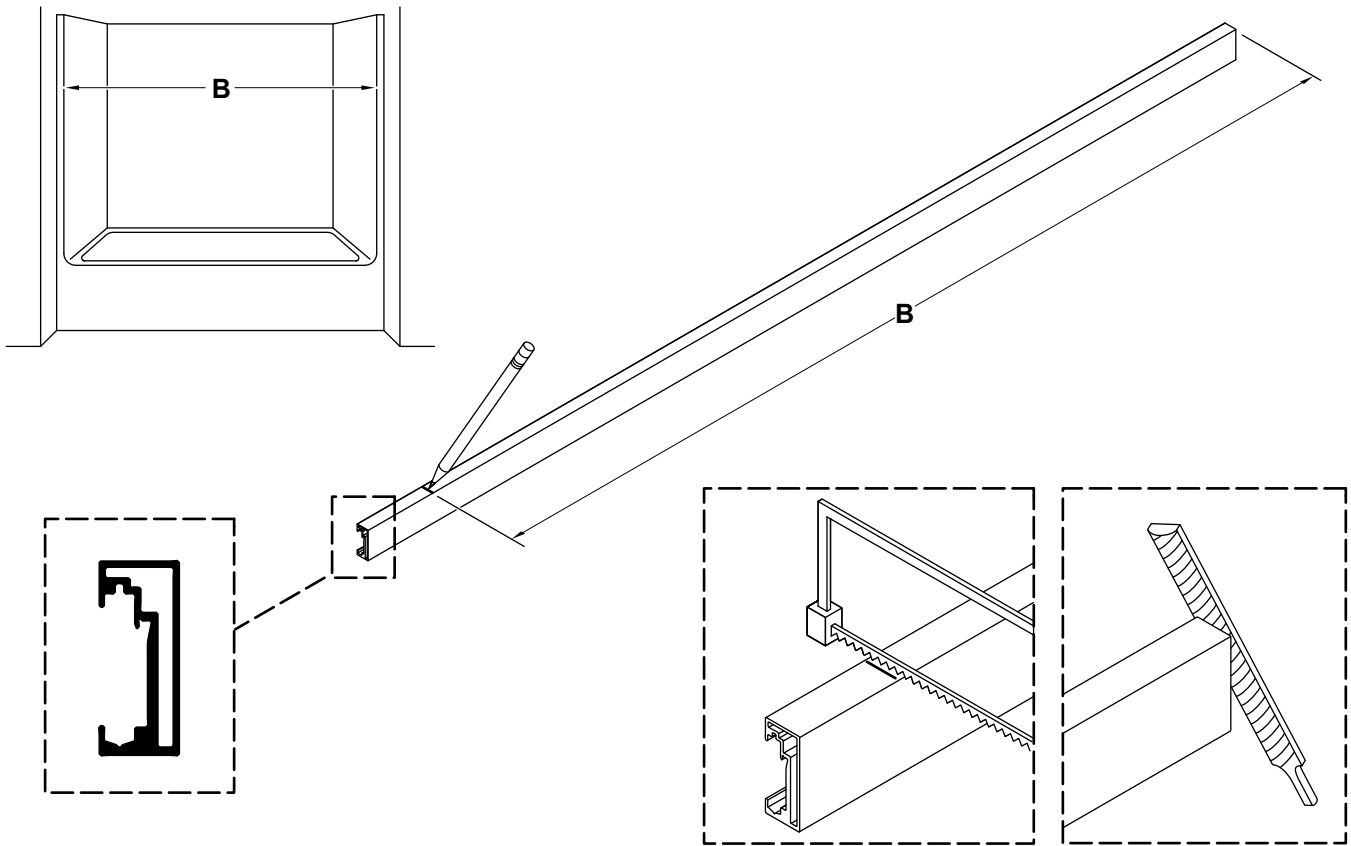
5. Instale los soportes murales

ES



- Retire los sellos de pared y colóquelos a un lado.
- Coloque el soporte mural sobre los anclajes de pared con la pata hacia el exterior de la ducha.
- Fije cada uno de los soportes murales con 2 tornillos #8-18 x 1-1/2 pulg. (se incluyen).
- Verifique que el soporte mural quede nivelado. Afloje los tornillos y ajuste la posición, de ser necesario.
- Repita en la pared opuesta.

6. Mida y recorte el dintel

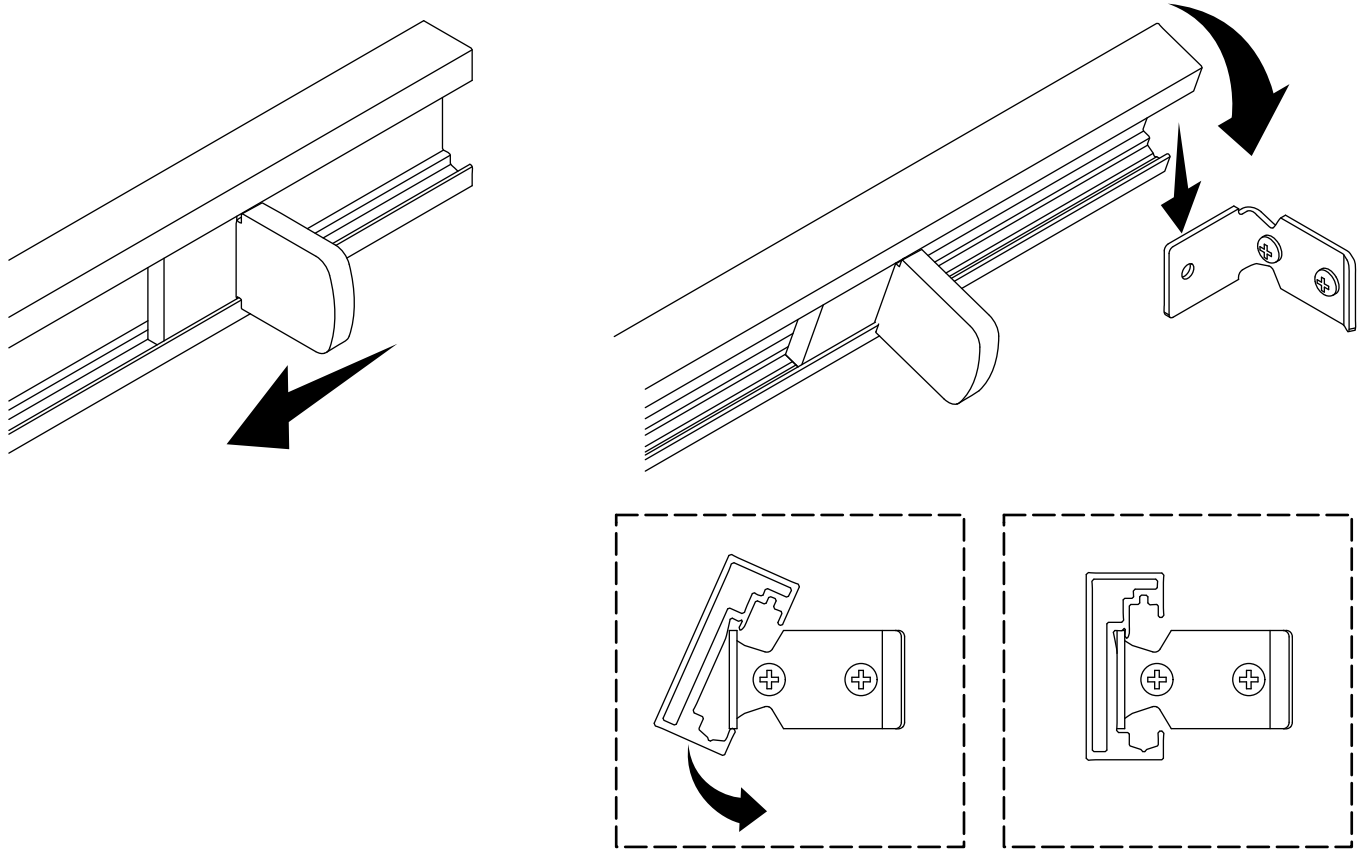


¡IMPORTANTE! Confirme sus medidas antes de recortar. No recorte el dintel demasiado corto.

- Mida la distancia “B” entre paredes de la ducha, y márkela en el dintel.
- Con una sierra de mano, recorte el dintel justo dentro de la línea marcada.
- Lime los bordes ásperos y limpie los desperdicios que queden en los carriles para las rueditas.
- Antes de instalar el dintel, con ayuda mueva el panel corredizo dentro del área de la ducha. **No retire los protectores esquineros.**

7. Coloque el dintel en su lugar

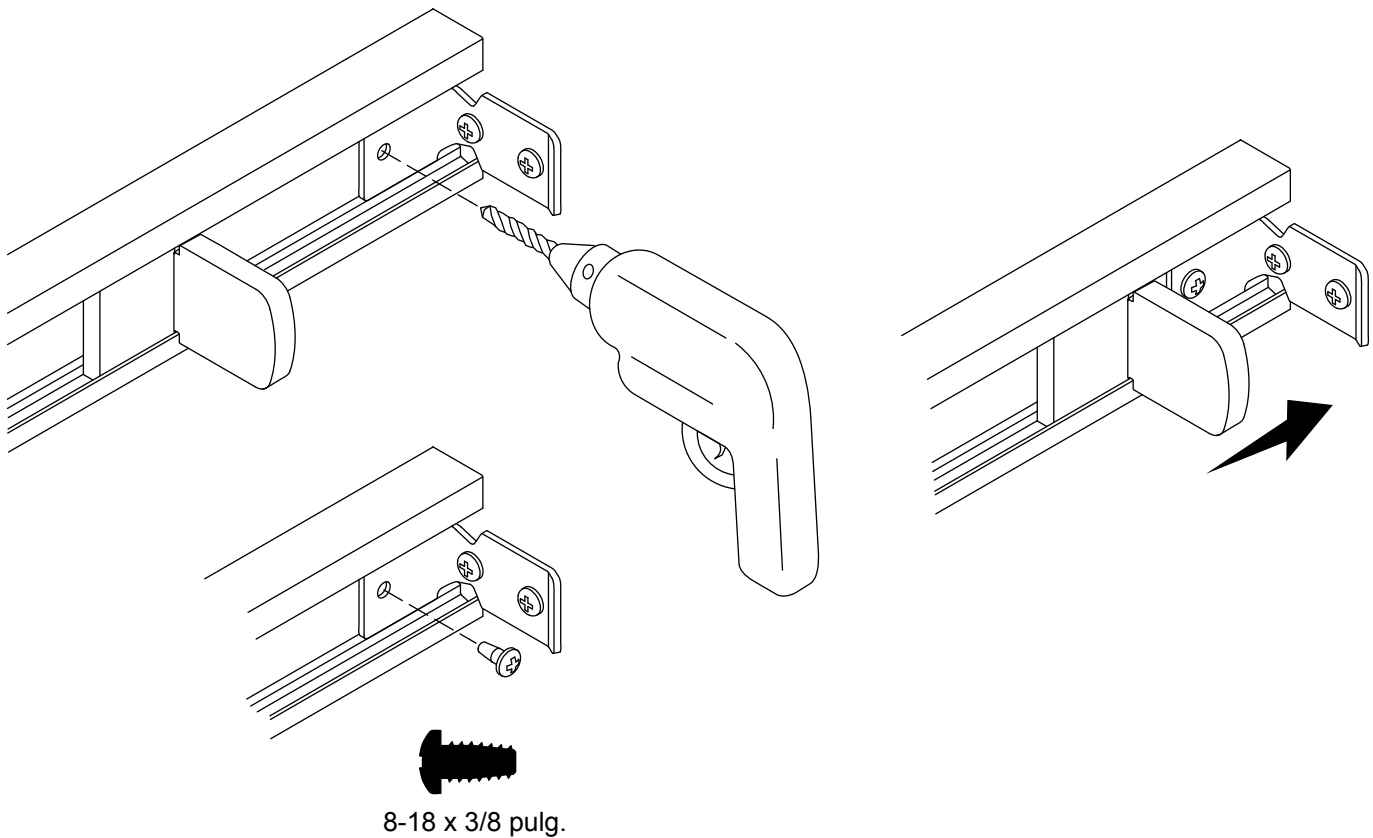
ES



⚠ PRECAUCIÓN: Riesgo de daños al producto. El dintel podría caerse si no se coloca correctamente en los soportes murales. Asegúrese de que la parte superior del dintel quede bien enganchado en los soportes.

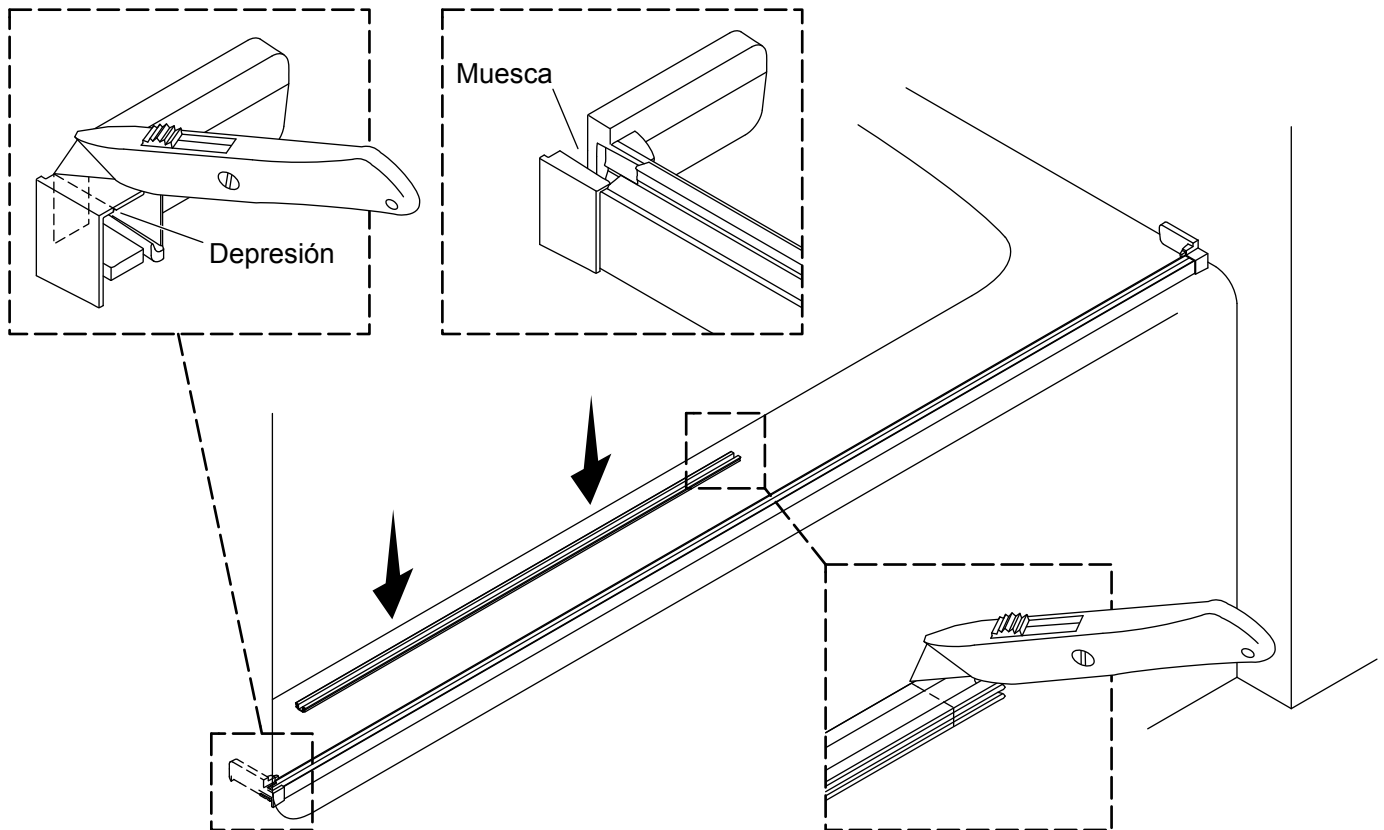
- Meta un tope en cada uno de los extremos del dintel, como se muestra.
- Desde el interior de la ducha, levante el dintel sobre los soportes murales.
- Incline el dintel y bájelo a los soportes murales, como se muestra.
- Asegúrese de que la parte superior del dintel quede bien enganchado en los soportes, como se indica.
- Gire el dintel a su lugar a que quede plano contra los soportes murales.

8. Fije el dintel



- ⚠ PRECAUCIÓN: Riesgo de lesiones personales.** Al taladrar a través del dintel, no acerque las manos a los lugares donde vaya a taladrar.
- ⚠ PRECAUCIÓN: Riesgo de daños al producto.** Al asegurar el dintel a cada uno de los soportes murales, no taladre a través de la segunda pared del dintel.
- Desde el interior de la ducha, use el soporte mural como plantilla para taladrar un orificio de 9/64 pulg. a través de la primera pared del dintel.
 - Repita el procedimiento en el otro lado.
 - Fije el dintel a cada uno de los soportes murales con un tornillo autorroscante #8-18 x 3/8 pulg. (se incluye).
 - Limpie muy bien el dintel. Asegúrese de que no haya desechos en los carriles para las rueditas.
 - Deslice cada tope al ras contra la pared hasta que enganche en el soporte.

9. Instale el sello del umbral

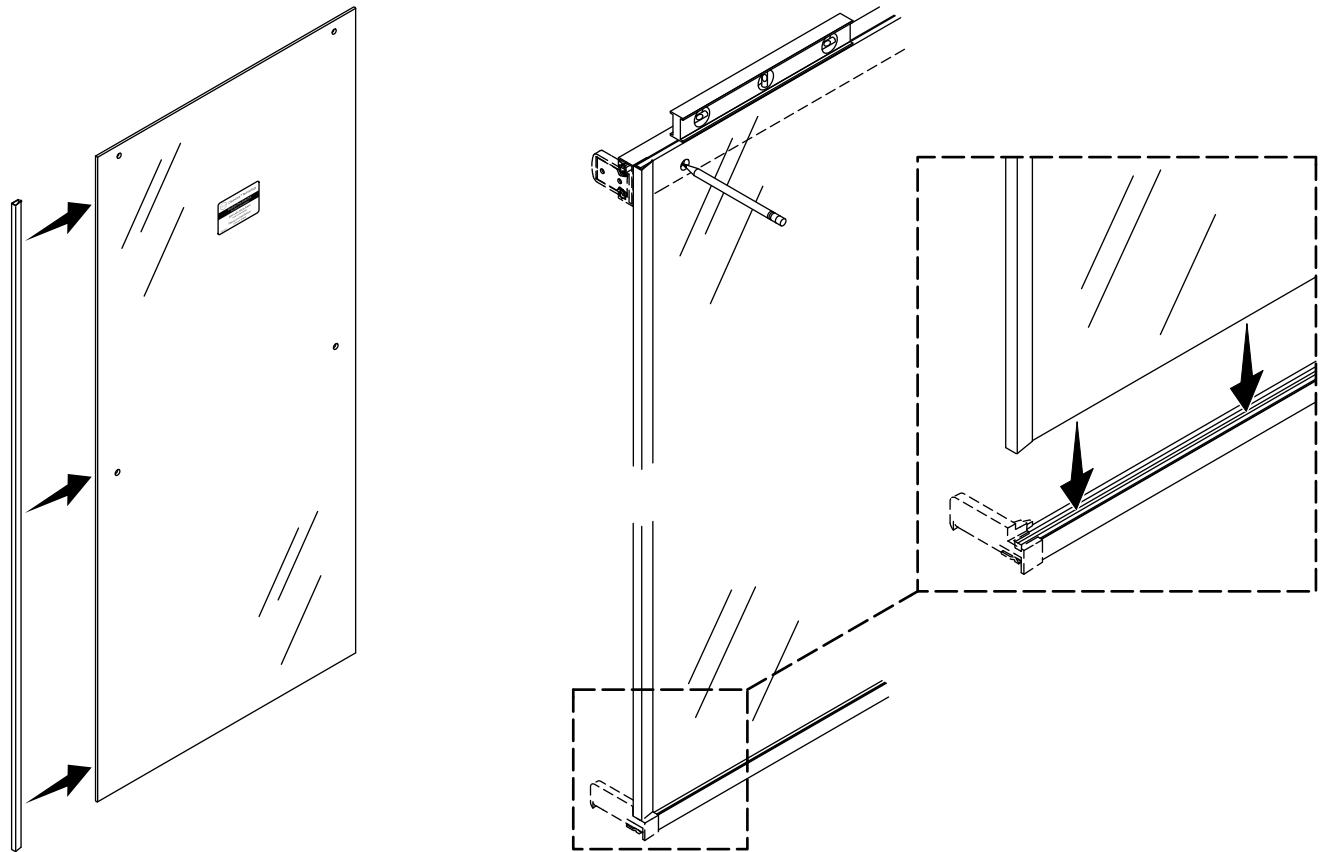


⚠ PRECAUCIÓN: Riesgo de daños al producto. Se requiere una muesca solo en el tope del lado del panel fijo. Una depresión en la parte superior interior del tope indica dónde se debe recortar la muesca. **No recorte una muesca en el tope del lado del panel corredizo.**

NOTA: El panel fijo debe ser instalado en el lado opuesto de la cabeza de ducha.

- Retire el tope del lado del panel fijo.
- Recorte una muesca en el tope del lado del panel fijo a lo largo de la depresión en la parte superior interior del tope.
- Vuelva a instalar el tope del lado del panel fijo.
- Mida la longitud de la parte inferior de panel fijo y réstele 5/8" (16 mm).
- Marque esta medida en el sello del umbral y recorte a la longitud deseada.
- Deslice el sello del umbral dentro de la canaleta del umbral, y deje alineado el sello con la parte delantera del tope.
- Oprima el resto del sello del umbral en la ranura en el umbral.

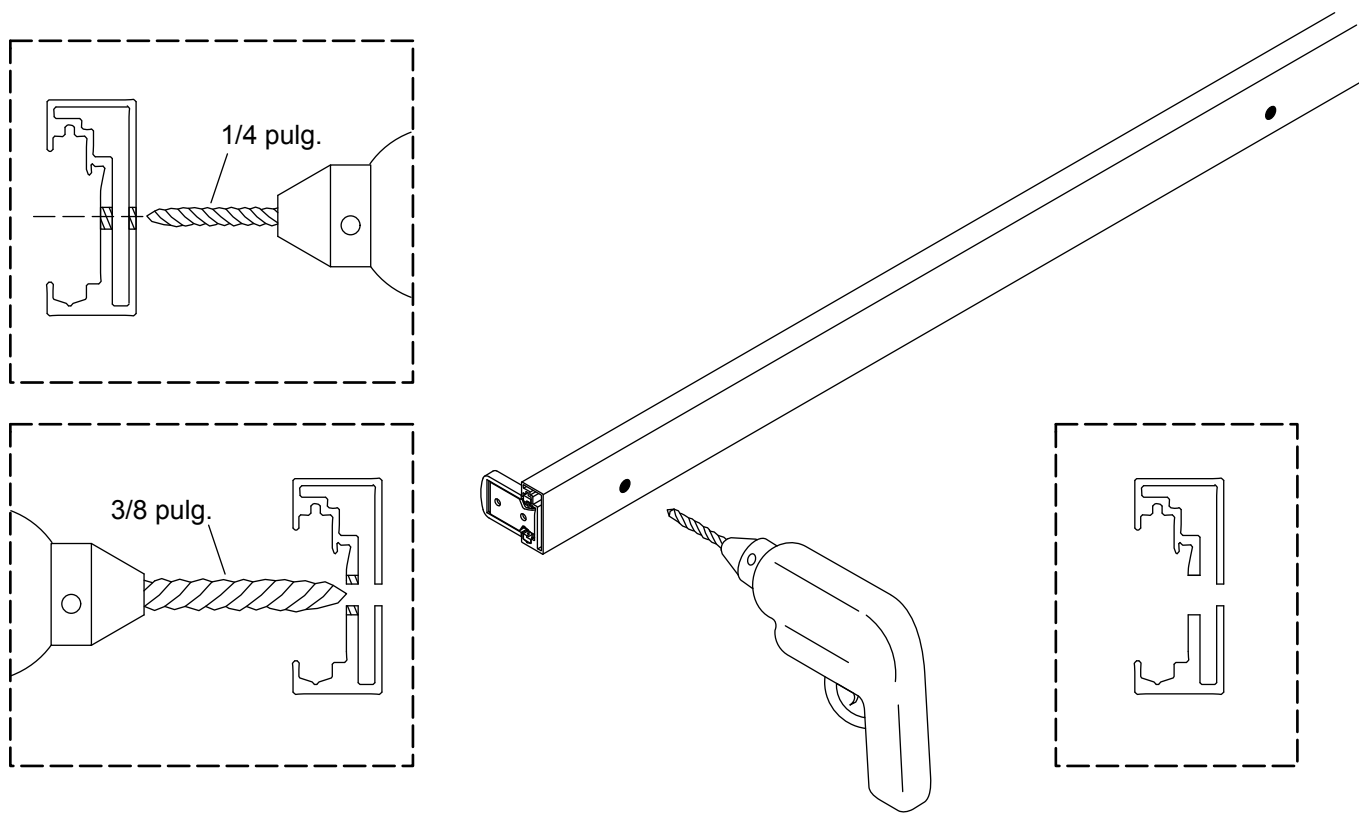
10. Prepare el panel fijo



- Retire los protectores esquineros del panel fijo.
- Alinee la parte superior del sello de pared para el panel fijo con el borde superior del panel fijo que va a ser instalado contra la pared. No retire el protector adhesivo en este momento.
- Verifique que la etiqueta en el panel quede de cara al exterior de la ducha, y luego oprima el sello contra el panel.
- Coloque el panel fijo en la canaleta en el sello del umbral, e incline la parte superior del panel contra el dintel.
- Verifique que la parte superior del dintel y la parte superior del panel fijo queden alineadas.
- Deslice el panel fijo a que quede justo contra la pared.
- Marque los lugares para los orificios del panel fijo en el dintel.
- Con cuidado retire el panel fijo y colóquelo en un lugar seguro.

11. Taladre los orificios para el dintel

ES

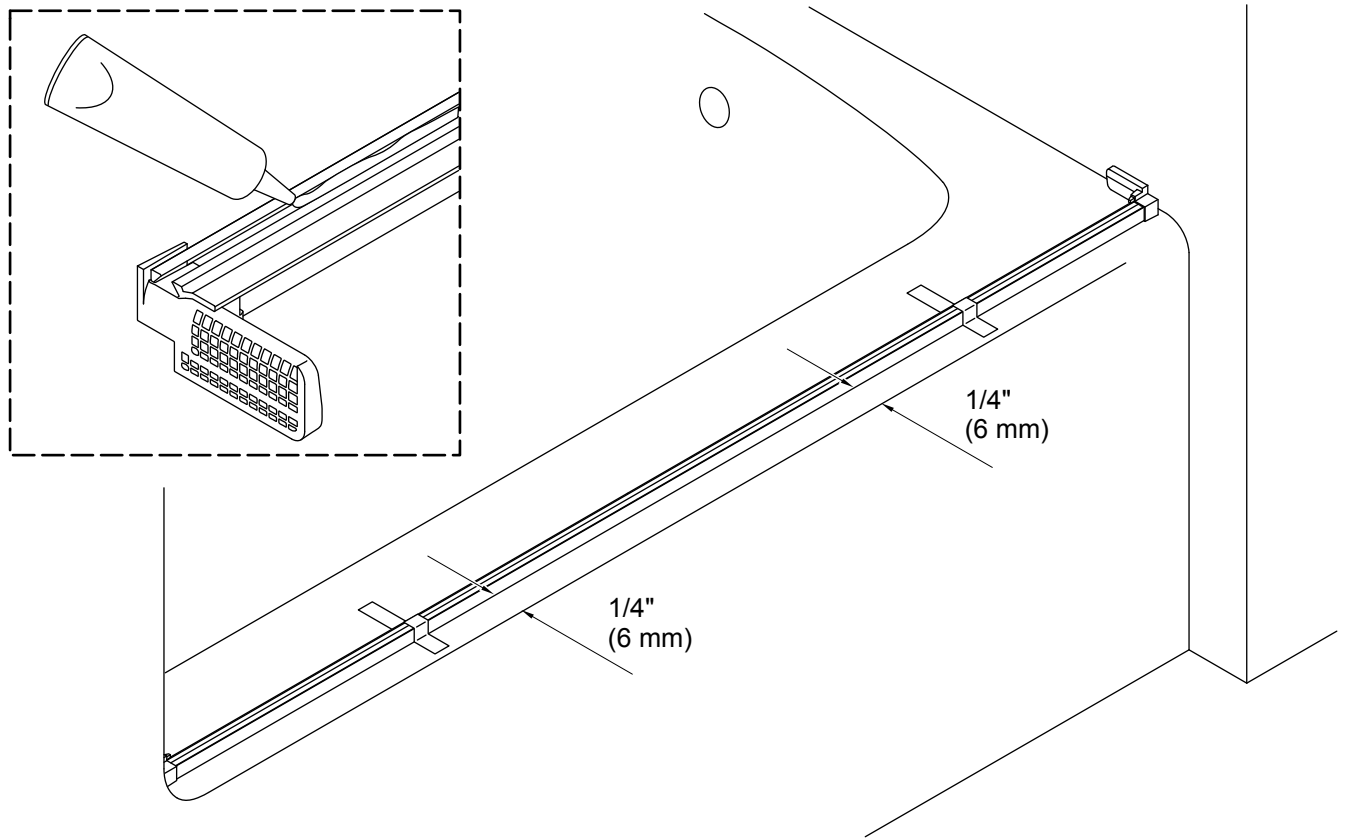


⚠ PRECAUCIÓN: Riesgo de lesiones personales. Al taladrar a través del dintel, no acerque las manos a los lugares donde vaya a taladrar.

⚠ PRECAUCIÓN: Riesgo de daños al producto. No debe haber desperdicios en los carriles para rueditas. Limpie muy bien el dintel después de taladrar en él.

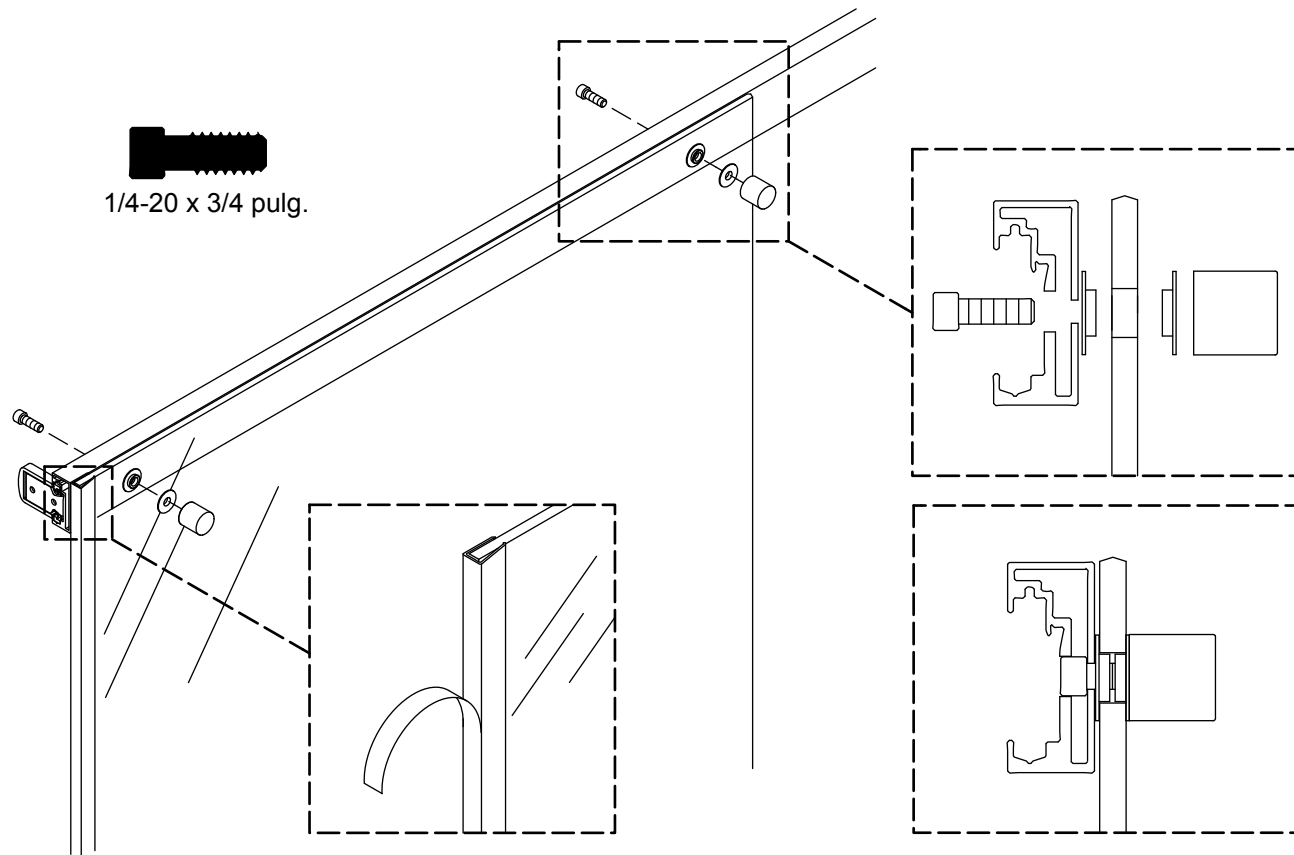
- Taladre orificios de 1/4 pulg. a través de ambas paredes del dintel en los lugares marcados.
- Desde el interior de la ducha, con una broca de 3/8 pulg. agrande los orificios de 1/4 pulg. en la pared posterior del dintel. **No agrande con el taladro los orificios en la pared delantera del dintel.**
- Limpie muy bien el dintel. Asegúrese de que no haya desechos en los carriles para las rueditas.

12. Instale el umbral



- Verifique que la posición del umbral esté marcada en el reborde de la base de la ducha o de la bañera.
- Retire el umbral.
- Antes de seguir adelante, limpie por completo el reborde y el área de la ducha.
- Aplique sellador 100 % de silicona dentro de la ranura en la parte inferior del umbral.
- Pegue el umbral en el lugar anterior con cinta adhesiva de enmascarar.

13. Instale el panel fijo

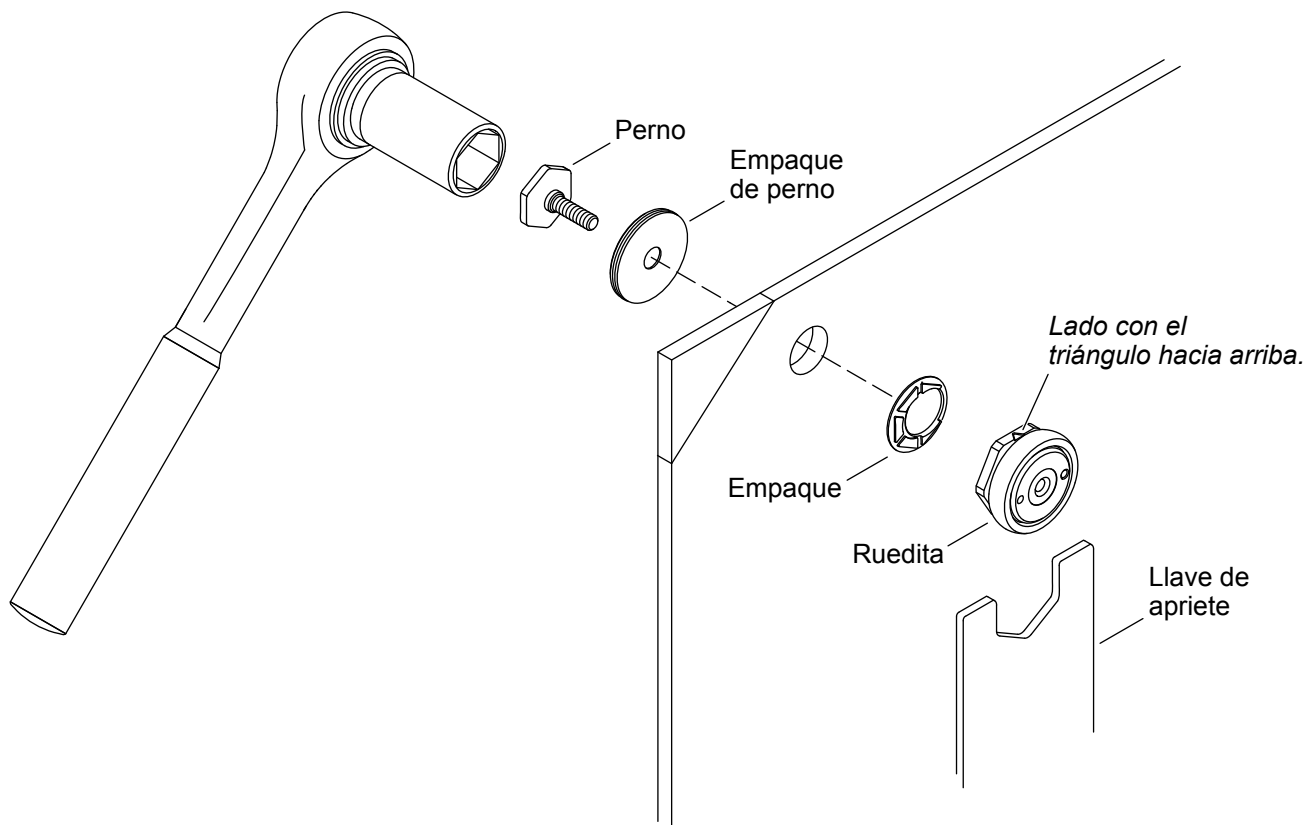


- Meta un tornillo de cabeza hueca (se incluye) en cada uno de los orificios en la pared posterior del dintel.
- Coloque un empaque en cada uno de los tornillos que sobresalen de la pared delantera del dintel.
- Aplique un hilo continuo de sellador 100 % de silicona en la parte inferior del sello del umbral.
- Retire el protector adhesivo del sello de pared del panel fijo.
- Coloque el panel fijo en la canaleta en el umbral, e incline la parte superior del panel contra el dintel.
- Coloque un empaque en cada uno de los tornillos que sobresalen de la pared delantera del dintel.
- Enrosque una tuerca en cada uno de los tornillos.
- Apriete las tuercas desde el interior del dintel con una llave hexagonal de 3/16 pulg.

¡IMPORTANTE! La cabeza de los tornillos debe quedar al ras con la pared interior del dintel al quedar apretados, ya que de lo contrario interferirán con el funcionamiento de la puerta.

- Si hay alguna separación, oprima el sello de pared contra la pared.
- Instale el toallero de barra al panel fijo de acuerdo a las instrucciones que se entregan por separado.

14. Ensamble las rueditas

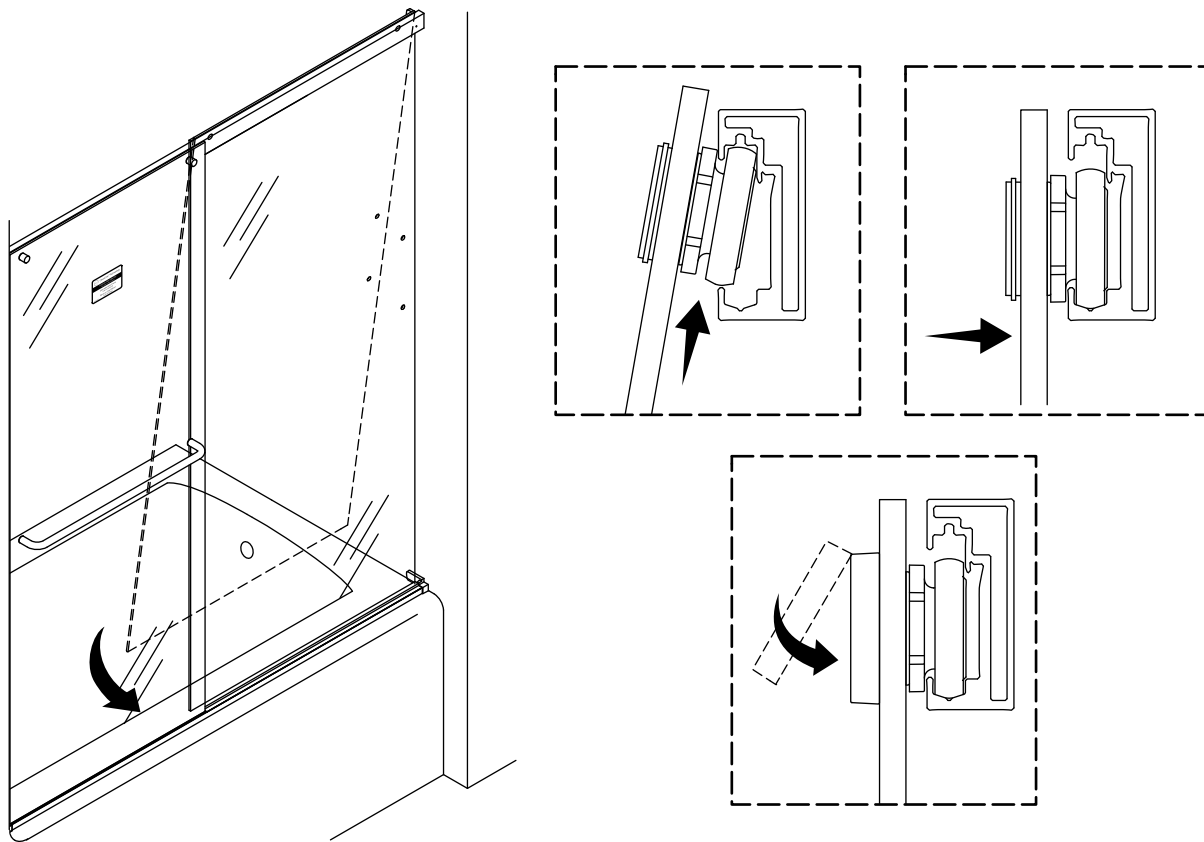


AVISO: Hay una figura de triángulo moldeada en una de las caras planas de cada ruedita.

- Oriente el panel de la puerta corrediza de forma que los orificios para manija queden del lado hacia el que se vaya a abrir la ducha.
- Coloque una ruedita y su empaque en el lado exterior del panel, e introduzca la leva de la ruedita en el orificio.
- Oriente la ruedita de forma que el triángulo apunte hacia arriba. Esto coloca la puerta en su posición más baja, lo que facilita hacer ajustes.
- Apriete a mano con firmeza la ruedita contra el vidrio con el empaque y el perno.
- Coloque en la ruedita la llave de apriete que se incluye, y una llave de dados de 3/4 pulg. en el perno.
- Apriete con firmeza la ruedita al panel. Es posible que el empaque se flexione a medida que se apriete el perno.
- Repita estos pasos con la segunda ruedita.

15. Instale el panel corredizo

ES

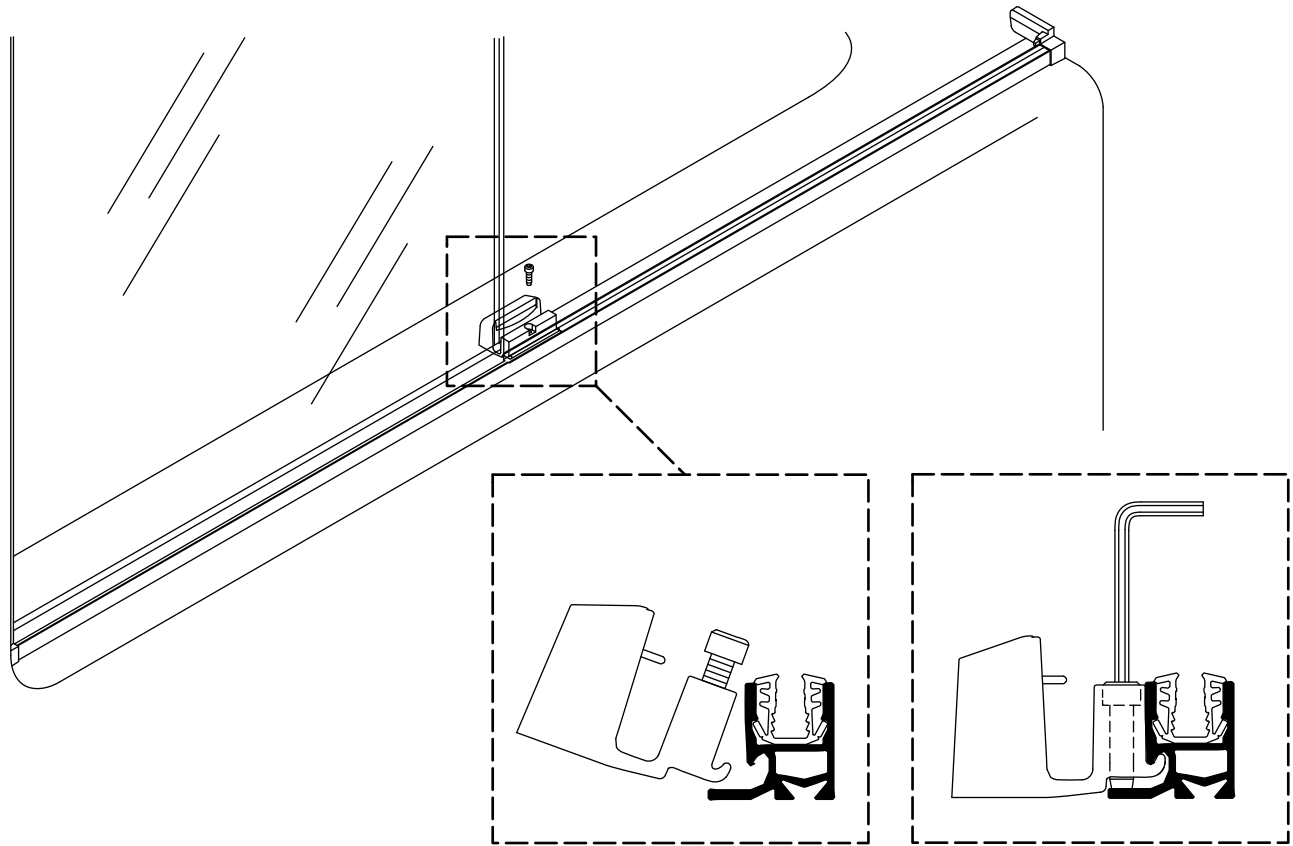


⚠ PRECAUCIÓN: Riesgo de daños al producto. Con cuidado limpie muy bien el dintel. Asegúrese de que no haya desechos en los carriles para las rueditas.

NOTA: Las rueditas deben quedar hacia el exterior de la ducha.

- Retire los protectores esquineros del panel corredizo.
- Con ayuda, desde el interior de la ducha, incline el panel a que la parte superior de las rueditas quede dentro del dintel. Deje descansar las rueditas en el carril inferior del dintel, y coloque el panel en su lugar.
- Asegúrese de que el panel pueda correr en ambas direcciones sin dificultades. De ser necesario, ajuste las rueditas de acuerdo a las instrucciones en la sección "Ajuste y mantenimiento de paneles".
- Oprima las cubiertas de las rueditas contra los pernos de las rueditas.

16. Instale la guía central

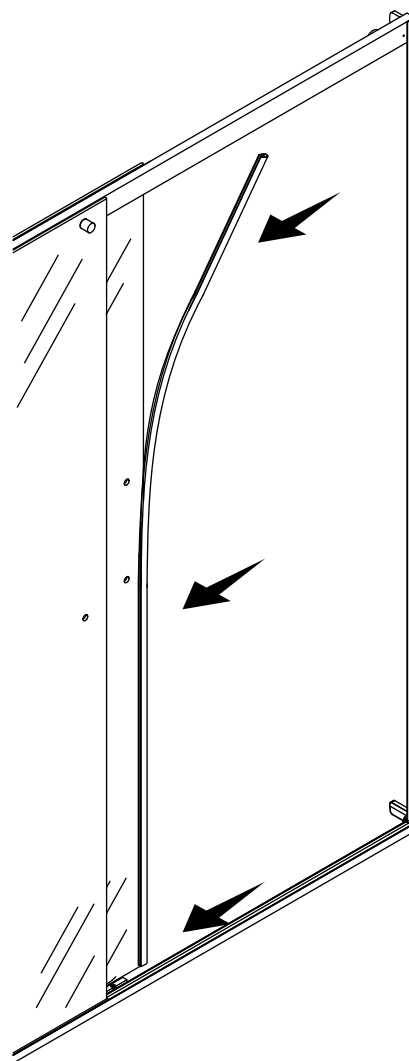
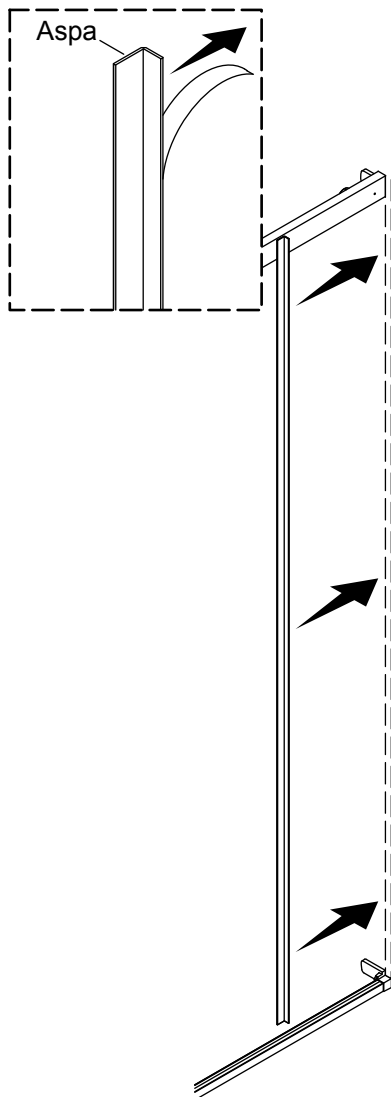


¡IMPORTANTE! la guía central debe quedar bien asentada por completo detrás del labio del umbral, como se muestra.

- Deslice el panel de la puerta hacia el extremo del panel fijo de la ducha.
- Atornille el tornillo parcialmente en el orificio de la guía central. El tornillo no debe sobresalir por el lado inferior de la guía central.
- Gire la guía central a su lugar en la ranura del umbral como se muestra.
- Deslice el panel de la puerta hacia dentro de la canaleta de la guía central.
- Mueva la guía central a lo largo del umbral hasta que el borde de la guía quede alineado con el borde del panel fijo.
- Apriete a mano el tornillo con una llave hexagonal de 5/32 pulg., y luego apriételo media vuelta adicional.

17. Instale los sellos restantes

ES



- Retire el protector adhesivo del sello de pared del lado del panel corredizo.

NOTA: La aleta en el sello de pared en forma de L debe quedar hacia el interior de la ducha.

NOTA: Si lo desea, puede recortar el sello de pared a que quede ajustado bajo el dintel.

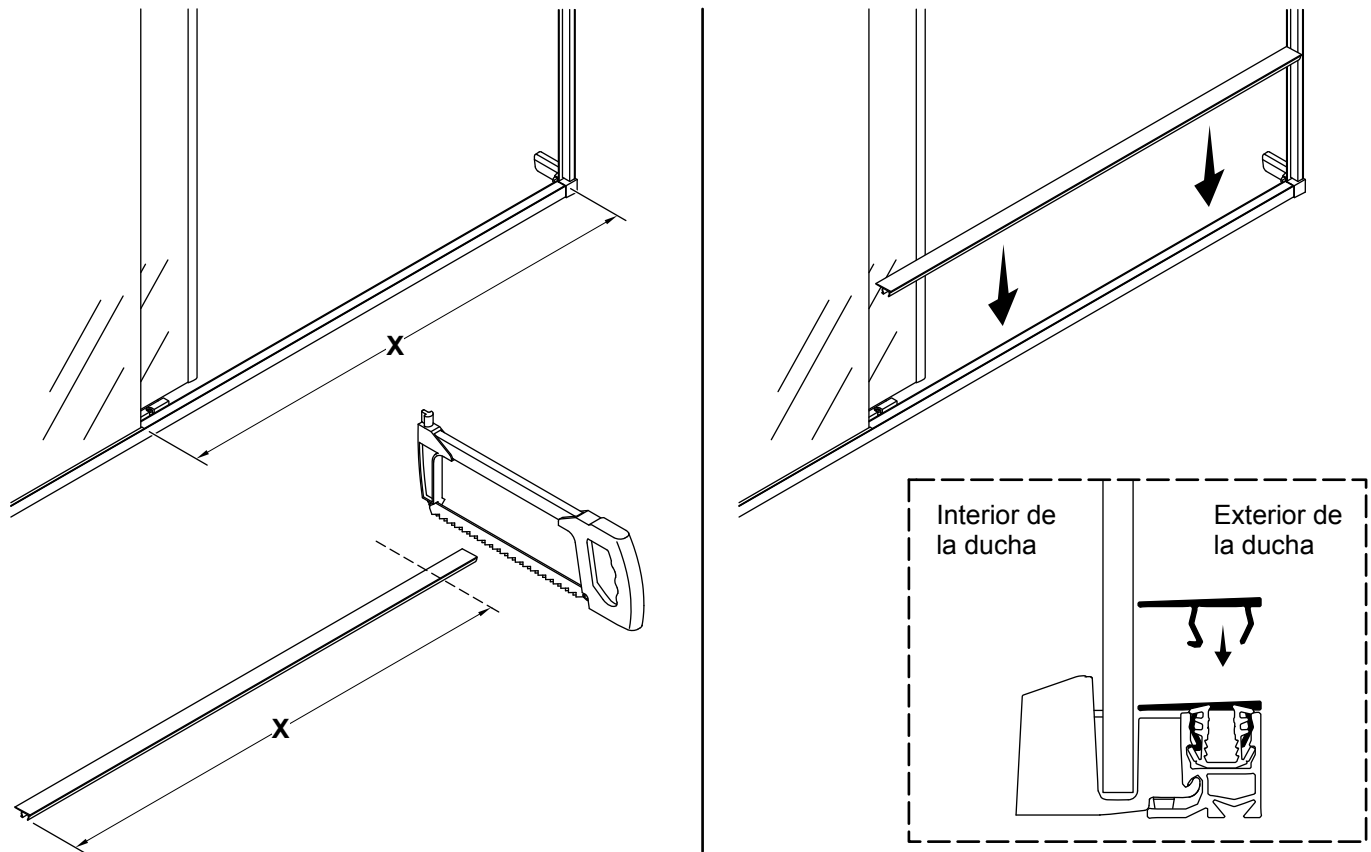
- Comenzando en la parte inferior, deje descansar el sello de pared del lado del panel corredizo en el tope inferior y oprima contra la pared.
- Verifique que el sello de pared quede nivelado y a plomo.

NOTA: El sello del panel corredizo debe quedar asentado sobre el tope inferior y abajo del tope superior cuando el panel corredizo está cerrado.

- Oprima el sello del panel corredizo contra el extremo del vidrio del panel corredizo que quede más cerca a la cabeza de ducha.

18. Instale la cubierta del umbral

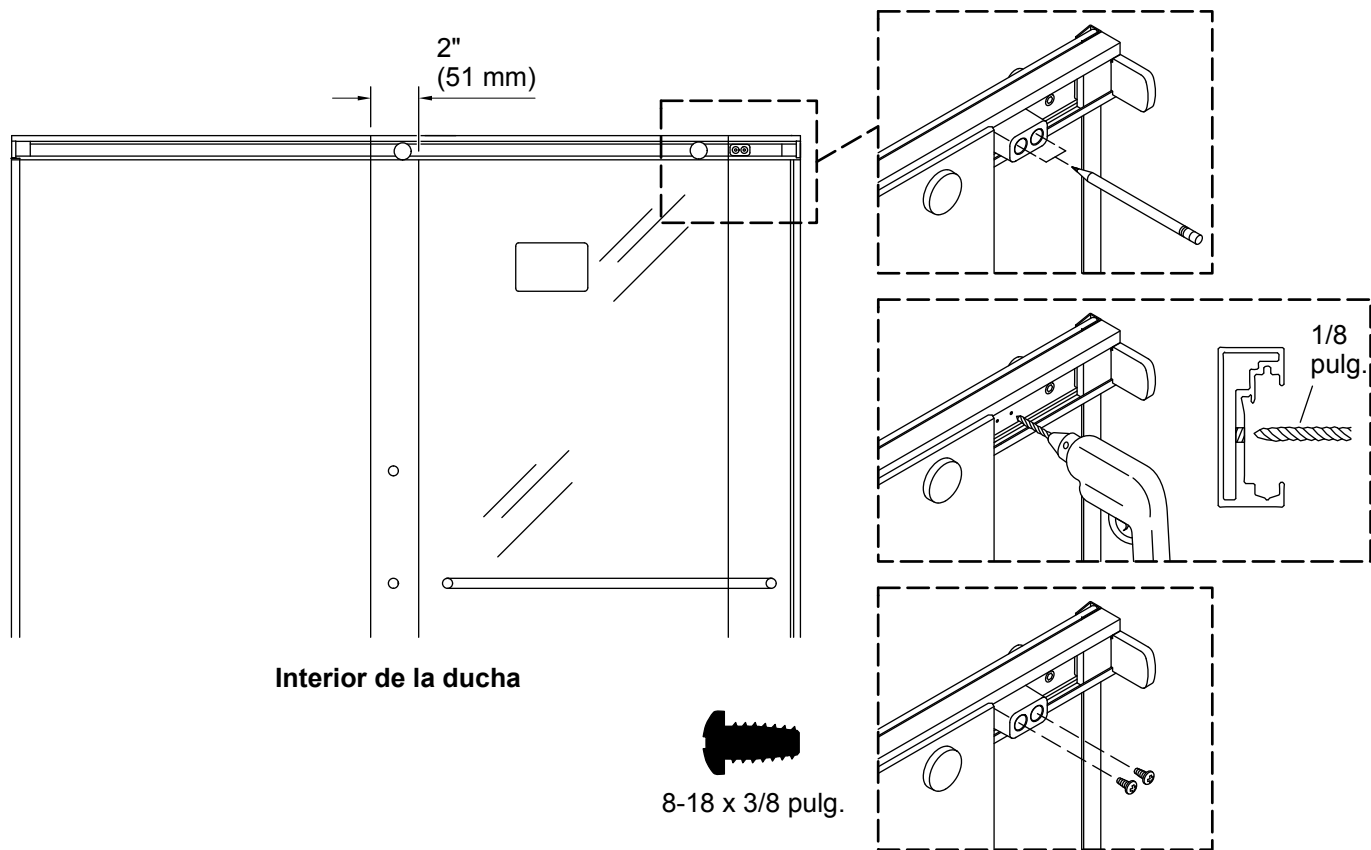
ES



⚠ AVISO: Riesgo de lesiones graves. Siempre use anteojos de seguridad al cortar y al taladrar.

- Mida desde el borde del panel fijo hasta el tope del lado abierto, y marque esta medida en la cubierta del umbral.
- Con una sierra de mano, recorte la cubierta del umbral en la línea marcada.
- Oriente la solapa en la cubierta contra el interior de la ducha, y luego oprímala dentro de la ranura en el umbral.

19. Instale el tope superior

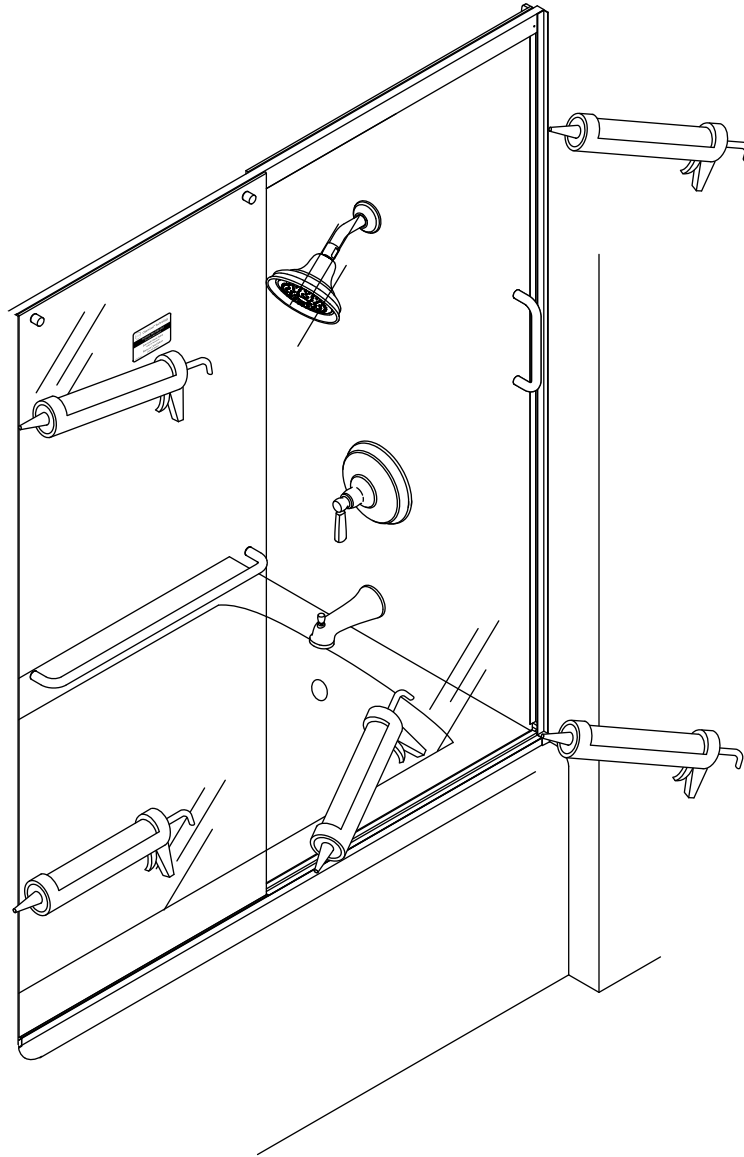


NOTA: Se requiere un tope superior para las puertas de 54" (1372 mm), 66" (1676 mm) y 72" (1829 mm). Instale el tope superior, si se incluye. Si no se incluye, pase a la siguiente sección.

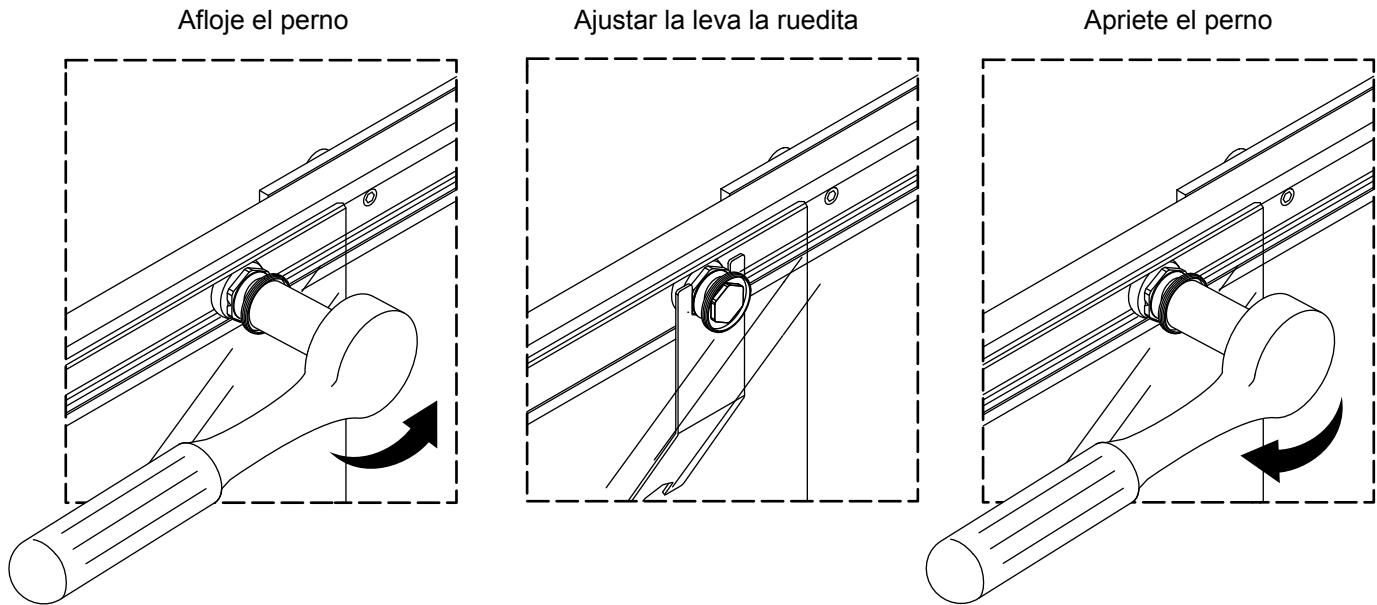
- Deslice la puerta para abrirla hasta que el borde del panel corredizo quede a 2" (51 mm) del borde del panel fijo.
- Desde el interior de la ducha, deslice el tope a lo largo del dintel hasta que haga contacto con el borde del panel corredizo.
- Marque los 2 lugares para los orificios de tornillos.
- Retire el tope y taladre un orificio de 1/8 pulg. en cada uno de los lugares marcados. **Solamente taladre a través de la pared interior del dintel.**
- Vuelva a colocar el tope en el interior del dintel, y fije con 2 tornillos #8-18 x 3/8 pulg. (se incluyen).

20. Termine la instalación

ES



- Aplique sellador 100 % de silicona a lo largo de los sellos de pared verticales en el exterior de la ducha o de la bañera.
- Aplique sellador 100 % de silicona al borde exterior del umbral.
- Instale la manija en el panel corredizo de acuerdo a las instrucciones que se entregan por separado.



AVISO: Es posible que sea necesario ajustar los paneles para asegurar que hagan contacto con los topes superiores e inferiores en la posición cerrada.

- Para ajustar los paneles, afloje el perno de la ruedita con la llave de dados de 3/4 pulg. **¡No afloje demasiado!**
- Para ajustar la alineación de cada uno de los extremos del panel, haga girar la ruedita con la llave de apriete que se adjunta.
- Continúe hasta que la puerta funcione bien, que quede alineada por parejo con las paredes de la ducha, y que los paneles de puerta hagan contacto con los topes superior e inferior al mismo tiempo.
- Cuando termine, apriete con firmeza los 2 pernos de las rueditas.

Mantenimiento

- Revise anualmente que las rueditas estén apretadas.
- Retenga la llave de apriete que se incluye para hacer ajustes o volver a apretar en el futuro.

Resolución de problemas

Esta guía de resolución de problemas está diseñada únicamente como ayuda general. Si tiene preguntas acerca de servicio e instalación, llame al 1-800-4KOHLER.

Síntomas	Causa probable	Acción recomendada
1. La puerta hace ruido cuando se abre o se cierra.	<p>A. Es posible que el soporte esté instalado muy desnivelado.</p> <p>B. Los paneles de puerta están demasiado bajos, raspan contra la base de la guía central o contra la base de la ducha o el reborde de la bañera.</p> <p>C. Las rueditas están sueltas.</p> <p>D. Las rueditas se han desgastado y hacen ruido.</p> <p>E. Haya desechos en los carriles para rueditas.</p>	<p>A. Retire los paneles y los dinteles, y nivele los soportes. Si no es posible nivelar los soportes, llame a servicio al cliente.</p> <p>B. Ajuste las rueditas para elevar los paneles de puerta. Consulte la sección "Ajuste y mantenimiento de paneles".</p> <p>C. Apriete los pernos de las rueditas con las herramientas necesarias y con la llave de apriete que se incluye.</p> <p>D. Cambie las rueditas.</p> <p>E. Retire el panel de la puerta y limpie los carriles para rueditas con aire comprimido o con un paño limpio. Verifique que no haya desechos en las rueditas.</p>
2. Es difícil mover la puerta o no abre.	<p>A. Los paneles de puerta están demasiado bajos, raspan contra la base de la guía central o contra la base de la ducha o el reborde de la bañera.</p> <p>B. Los dinteles no están fijos a los soportes.</p> <p>C. Las rueditas están sueltas.</p>	<p>A. Ajuste las rueditas para elevar los paneles de puerta. Consulte la sección "Ajuste y mantenimiento de paneles".</p> <p>B. Verifique que el dintel esté fijo a los soportes con el tornillo autorroscante #8-32 x 3/8 pulg. que se incluye.</p> <p>C. Apriete los pernos de las rueditas con las herramientas necesarias y con la llave de apriete que se incluye.</p>
3. Los paneles de puerta están sueltos y se columpian hacia dentro y hacia fuera de la ducha.	<p>A. La guía central no está instalada.</p> <p>B. La guía central no está instalada en el lugar correcto.</p> <p>C. Los paneles de puerta no están bien instalados en la guía central.</p> <p>D. Los paneles de puerta están demasiado elevados.</p>	<p>A. Instale la guía central de acuerdo con las instrucciones.</p> <p>B. Instale la guía central en el espacio abierto para entrar, y asegúrese de que quede alineada con el borde del panel fijo.</p> <p>C. Los paneles de vidrio deben colocarse en las canaletas de la guía central.</p> <p>D. Ajuste las rueditas para bajar los paneles. Consulte la sección "Ajuste y mantenimiento de paneles".</p>
4. La guía central está suelta.	<p>A. El tornillo de la guía central no está bien apretado.</p>	<p>A. Apriete a mano el tornillo con una llave hexagonal de 5/32 pulg., y luego apriételo media vuelta adicional.</p>

Síntomas	Causa probable	Acción recomendada
<p>5. Se fuga el agua.</p>	<p>A. Se fuga agua por debajo del umbral.</p> <p>B. Se fuga agua por debajo de un panel de puerta.</p> <p>C. Se fuga agua por debajo de un panel de puerta.</p> <p>D. Se fuga agua alrededor del sello de pared.</p> <p>E. Se fuga agua alrededor del sello de pared.</p> <p>F. Se fuga agua por la parte inferior del sello de pared y sobre el umbral.</p> <p>G. Se fuga agua entre la pared y el sello de pared.</p>	<p>A. Aplique sellador 100 % de silicona al borde exterior del umbral. Antes de usar la ducha, deje que el sellador se seque de acuerdo a las instrucciones del fabricante.</p> <p>B. Ajuste las rueditas para bajar los paneles de la puerta y acercarlos de la base de la ducha o del reborde de la bañera. Consulte la sección "Ajuste y mantenimiento de paneles".</p> <p>C. Revise la altura del dintel. La parte superior del dintel debe quedar alineada con la parte superior de los sellos de pared.</p> <p>D. Ajuste el panel de puerta de forma que el panel haga contacto con los topes superior e inferior. Trate de que no caiga agua directamente a los paneles de puerta.</p> <p>E. Instale el sello del panel corredizo en el panel corredizo, y colóquelo entre los topes superior e inferior. Asegúrese de que el sello del panel corredizo quede alineado con la parte superior del tope inferior.</p> <p>F. Si hay una separación entre la parte inferior del sello de pared y la parte superior del umbral y de los topes inferiores, aplique silicona a esa área.</p> <p>G. Aplique sellador 100 % de silicona donde la pared hace contacto con la jamba mural, tanto en el interior como en el exterior de la ducha. Antes de usar la ducha, deje que el sellador se seque de acuerdo a las instrucciones del fabricante.</p>
<p>6. La manija golpea contra el panel fijo al abrir la puerta.</p>	<p>A. No se colocó correctamente el tope adicional o se movió.</p>	<p>A. Coloque el tope superior adicional en el lugar correcto de acuerdo con las instrucciones.</p>

USA/Canada: 1-800-4KOHLER (1-800-456-4537)
Mexico: 001-800-456-4537
kohler.com

THE BOLD LOOK
OF **KOHLER**®

©2020 Kohler Co.



1443363-2

1443363-2-B