

# Installation Guide

## Overflowing Bath

Français, page "Français-1"  
Español, página "Español-1"

THE BOLD LOOK  
OF **KOHLER**®

# Important Information



**WARNING:** When using electrical products, basic precautions should always be followed, including the following:



**DANGER: Risk of accidental injury or drowning.** This appliance is not intended for use by persons with reduced physical, sensory, or mental capabilities, or lack of experience and knowledge. Children should be supervised to ensure that they do not play with this appliance.



**WARNING: Risk of electric shock.** Connect only to a circuit protected by a Ground-Fault Circuit-Interrupter (GFCI)\*.



**WARNING: Risk of electric shock.** A qualified electrician should make all electrical connections.



**WARNING: Risk of electric shock.** Disconnect power before servicing.



**WARNING: Risk of personal injury.** Parts containing live parts, except parts supplied with safety extra-low voltage not exceeding 12 V, must be inaccessible to a person in the whirlpool.



**WARNING: Risk of injury or property damage.** Please read all instructions thoroughly before beginning installation, including the following requirements.

**NOTICE:** Follow all local plumbing and electrical codes.

Install to permit access for servicing.

A green with yellow stripe lead wire is provided within the wiring compartment. To reduce the risk of electrical shock, connect this wire to the grounding terminal of your electric service or supply panel with copper wire equivalent in size to the circuit conductor supplying this equipment.

A pressure wire connector is provided on the exterior of the pump or control within this unit to permit connection of a bonding conductor between this unit and all other exposed metal in the vicinity, as needed to comply with local requirements.

**Grounding is required.** The unit should be installed by a qualified service representative, and grounded.

Building materials and wiring should be routed away from the pump body and other heat-producing components of the unit.

\*Outside North America, this device may be known as a Residual Current Device (RCD).

## Important Product Information

### Product Notices



**WARNING: Unauthorized modification may cause unsafe operation and poor performance of the bath.** Do not relocate the pump, or make other modifications to the circulating system, as this could adversely affect the performance and safe operation of your bath. Kohler Co. shall not be liable under its warranty or otherwise for personal injury or damage caused by any such unauthorized modification.

### Product Inspection

Carefully unpack the product, and inspect the unit for damage. Return the unit to the carton during construction to prevent damage.

### Factory-Assembled Features

Factory installed components include pump, level sensors, inline heater, submerged chromotherapy lights (optional), control and switch. The pump and piping are factory-assembled.

## Important Product Information (cont.)

### Connections and Service Access

**NOTICE: Provide unrestricted service access to the pump and heater.** Provide unrestricted service access to the pump, inline heater, adjustable feet, and control box. You must construct an access panel to provide sufficient clearance for servicing the pump, inline heater, and control box. The access panel must be located immediately next to the pump and inline heater. Study the roughing-in information.

### Electrical Requirements

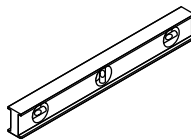
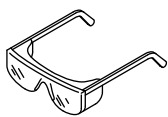
The installation must have two Class A Ground-Fault Circuit-Interrupters (GFCI's)\*. The GFCI protects against line-to-ground shock hazard. Use a 208-240 V, 20 A, 50/60 Hz dedicated service for the pump controls. Use a separate 208-240 V, 20 A, 50/60 Hz dedicated service for the heater.

An equipment grounding terminal is provided in the field wiring compartment. To reduce the risk of electrical shock, this terminal must be connected to the grounding means provided in the electrical supply panel with a conductor equivalent in size to the circuit conductors supplying this equipment.

Install this unit in accordance with the Canadian Electric code, Part I.

\*Outside North America, this device may be known as a Residual Current Device (RCD).

### Tools and Materials



4' (1.2 m) Level

Silicone Sealant

#### Plus:

- Conventional Woodworking Tools and Materials
- Drop Cloth
- 2x4s or 2x6s

### Introduction

Please read these instructions carefully to familiarize yourself with the required tools, materials, and installation sequences. Follow the sections that pertain to your particular installation. This will help you avoid costly mistakes. In addition to proper installation, read all operating and safety instructions.

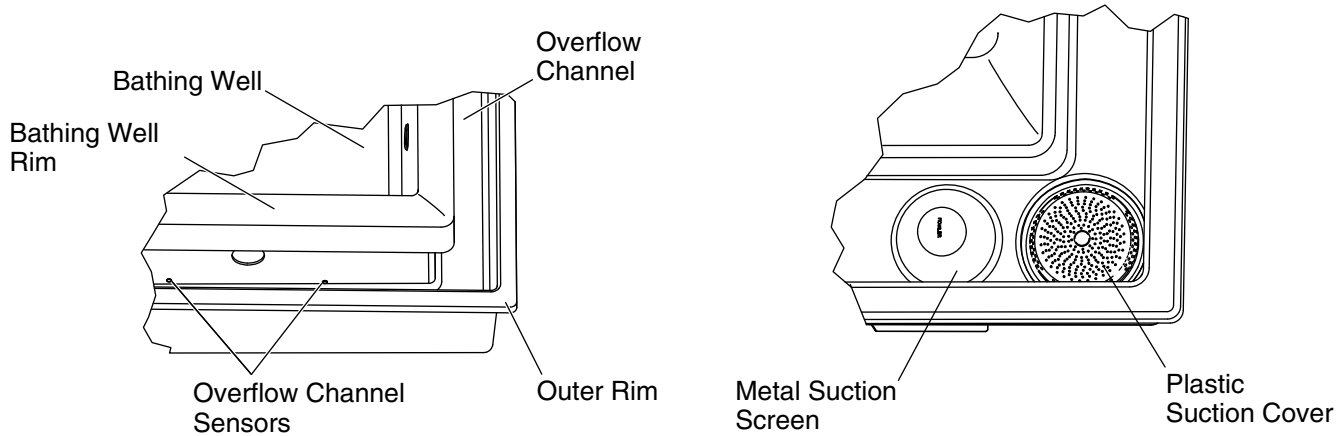
All information in this manual is based upon the latest product information available at the time of publication. At Kohler Co., we constantly strive to improve the quality of our products; we therefore reserve the right to make changes in product characteristics, packaging, or availability at any time without notice.

### Before You Begin

- Your bath is designed for deck-mount, under-mount, or alcove installations.
- You must install the bath onto an adequately supported, level subfloor.

### **Before You Begin (cont.)**

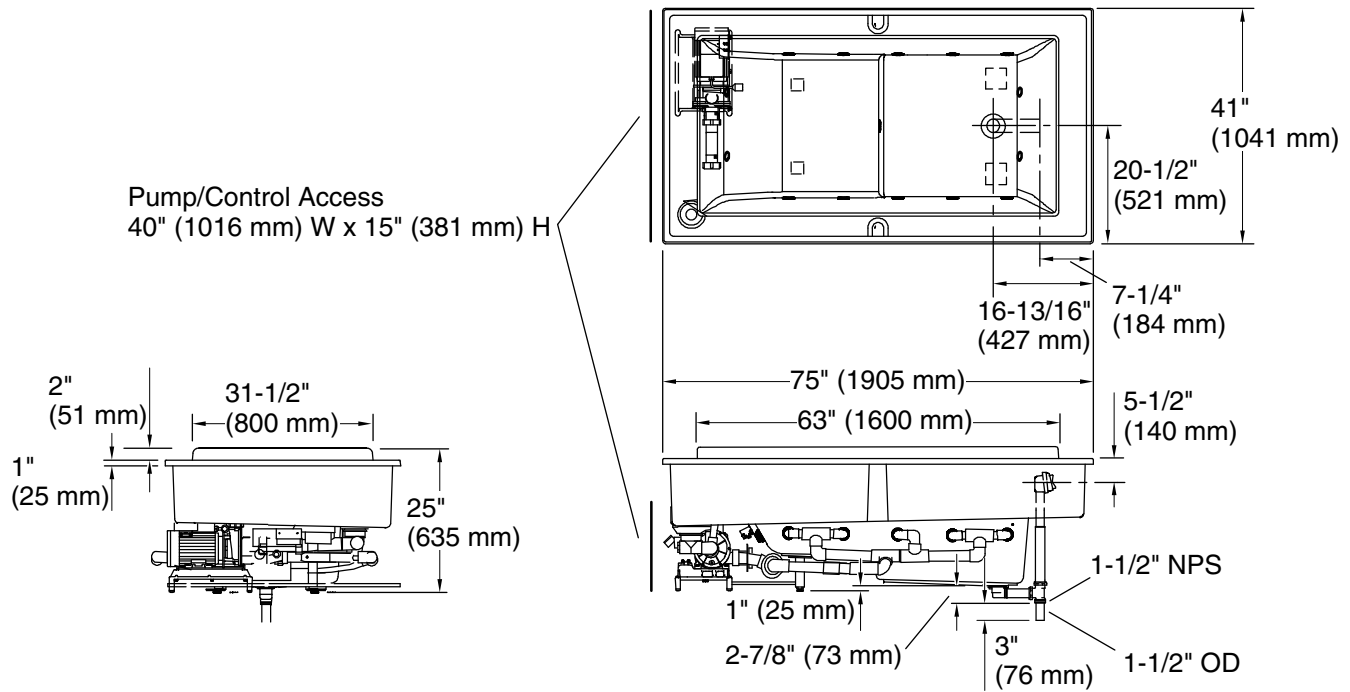
- Provide properly dimensioned framing.
- Choose a fill spout which will provide adequate reach and a minimum 2" (51 mm) air gap above the bathing well rim of the overflowing bath. You may need to build up the deck material to obtain adequate air space because the outer rim may be lower than the bathing well rim depending on the specific area of the bath.
- Follow local plumbing codes.
- The bath must be filled with water through the bathing well, not the overflow channel.
- If you plan to install a deck-mounted, hand-held shower, the diverter vacuum breaker must maintain a minimum 1" (25 mm) air gap above the bath rim.
- When using the K-922 or K-923 Laminar Bath Spout with drip tray K-924, the distance from the finished wall to the outside wall of overflow channel should not exceed 2" (51 mm).
- Kohler Co. reserves the right to make revisions in the design of products without notice, as specified in the Price Book.



## List of Terms

- **Bathing well** - The deep portion of the overflowing bath used by the bather.
- **Bathing well rim** - The high rim between the bathing well and the overflow channel. Water will evenly cascade over the bathing well rim and into the overflow channel during operation.
- **Cavitation** - When air is drawn into the pump instead of water to a point where it impairs or stops the pump's ability to circulate water.
- **Chromatherapy control pad** - Turns the chromatherapy lights on and off (if equipped).
- **Chromatherapy lights** - Lights provided in the basin of the bath (if equipped) to enhance your bathing experience.
- **Heater** - Designed to automatically help maintain the temperature of the water up to 104°F (40°C) to enhance your hydro-massage experience. The heater turns on automatically when the whirlpool is operating, and turns off when the pump motor is turned off.
- **Master control** - This unit is located beneath the pump. It provides the "brains" of the system, interpreting all incoming and outgoing signals.
- **Metal suction screen** - The removable metal screen located over the plastic suction cover in the overflow channel. The suction screen must always be clean and in place when the overflowing bath is running to prevent debris from entering the water intake port and to prevent cavitation and poor operation.
- **Outer rim** - The rim along the outside of the overflow channel.
- **Overflow channel** - The overflow water collection channel surrounding the bathing well. The overflow channel collects the water overflowing the bathing well rim during normal operation, and channels the water back into the piping system for recirculation.
- **Overflow channel sensors** - The two metal probes located in the wall of the overflow channel beneath the drain overflow hood. These sensors prevent activation of the pump if insufficient water is available, and will automatically shut off the pump if the water level drops below them. The pump will only operate when these two sensors are completely submerged.
- **Pump control switch** - Turns the pump on and off.
- **Plastic suction cover** - The plastic guard attached over the water intake port located in the overflow channel. The suction cover must always be installed during product use to ensure user safety.
- **Pump** - The pump circulates the water.
- **Wire harness** - The wire harness connects all powered peripheral components (valves, pump, heater, switches, lights) to the master control.

No change in measurements if connected with drain illustrated. (K-7193 or K-7193M)  
 Cut-out 73-1/2" (1867 mm) x 39-1/2" (1003 mm)

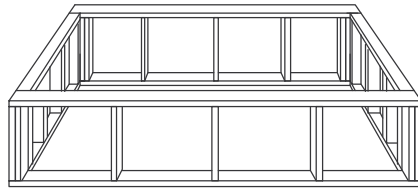


## 1. Roughing-In Information

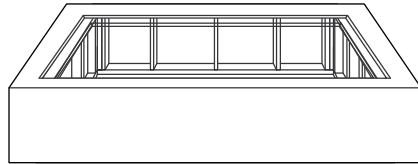
**NOTICE:** The floor support under the whirlpool must provide for a minimum of 2000 lbs (907.2 kg).

- Two separate 240 V electrical services are required: one for the pump/control, and one for the heater.
- Consult local and national codes for minimum air gap requirements when installing a spout on the faucet deck.
- The overflowing bath must be filled through the bathing well.
- Hot water supply should be 70% of the capacity or greater.
- The fixture conforms to ANSI Standard Z124.1. All dimensions are nominal.
- There is no change in measurements if connected with the drain illustrated (K-7193, K-7193M).
- Cutout = 73-1/2" (1867 mm) x 39-1/2" (1003 mm)
- An access panel is required. The recommended dimensions for this access panel are 40" (1016 mm) W x 15" (381 mm) H. Refer to the roughing-in diagram for suggested access panel location.
- Make sure the flooring is in good condition and offers adequate support for your bath.

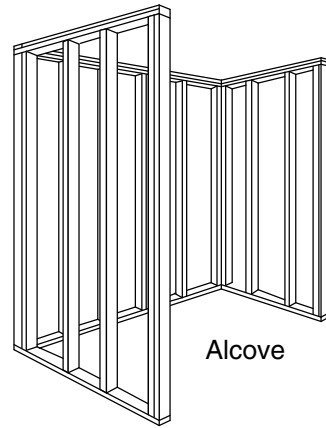
**IMPORTANT!** Verify that the subfloor is flat and level. This will help minimize the leveling adjustments necessary for proper product performance.



Deck



Under-mount

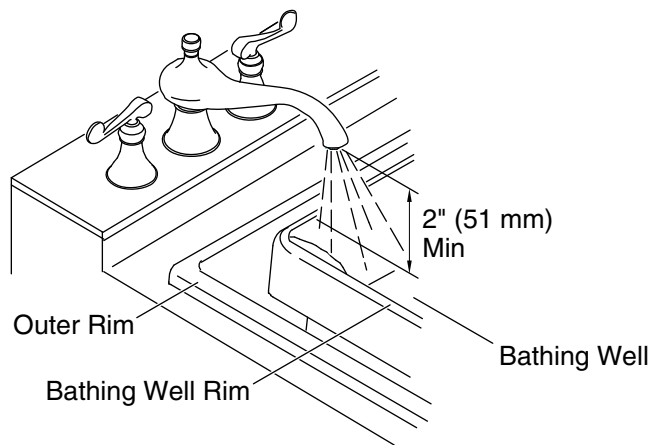


Alcove

## 2. Construct the Stud Framing

**NOTICE:** Provide unrestricted service access to the pump, inline heater, adjustable feet, and control box. You must construct an access panel to provide sufficient clearance for servicing the pump, inline heater, and control box.

- Construct stud framing designed for your particular installation. The overflowing bath can be installed in a deck, under-mount, or alcove installation.
- Frame the floor, or construct a frame for a raised installation in accordance with the roughing-in information.
- When constructing the framing, allow for the thickness of sub and finished deck materials.
- Framing should be of 2x4 construction.
- For under-mount installation, allow for the thickness of the planned deck material, and provide proper support.
- Do not support the bath by the rim.
- When planning the stud framing, take into account the required 2" (51 mm) air gap between the end of the fill spout and the top of the bathing well rim. Take into account the thickness of your planned finished deck material, and construct the framing and deck material with this minimum air gap in mind.



### 3. Install the Rough Plumbing

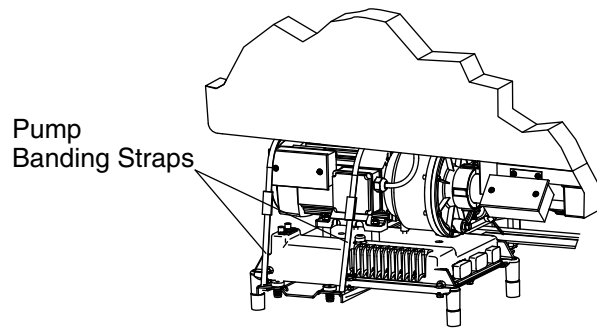
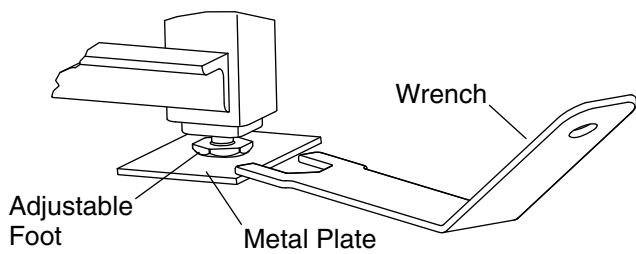
**IMPORTANT!** Choose a fill spout which will provide a minimum 2" (51 mm) air gap above the basin rim of the overflowing bath. In addition, if you plan to install a deck-mounted, hand-held shower, the diverter vacuum breaker must maintain a minimum 1" (25 mm) air gap above the bathing well rim of the overflowing bath.

- Position the plumbing. Position the fill spout supply so the spout will reach beyond both the outer rim and the bathing well rim. **Water from the fill spout must be directed into the bathing well to fill the overflowing bath.** The overflowing bath should never be filled by directing water into the overflow channel.
- Cap the supplies and check for leaks.

### 4. Prepare the Unit

- Carefully lift the overflowing bath out of the carton.
- Identify the box located inside the overflow channel. This box contains the metal suction screen, and must be saved for use with this product.
- Install the drain according to the drain manufacturer's instructions. Do not connect the trap at this time.
- Position a clean drop cloth or similar material in the bottom of the bath. Be careful not to scratch the surface of the overflowing bath.





## 5. Position the Unit

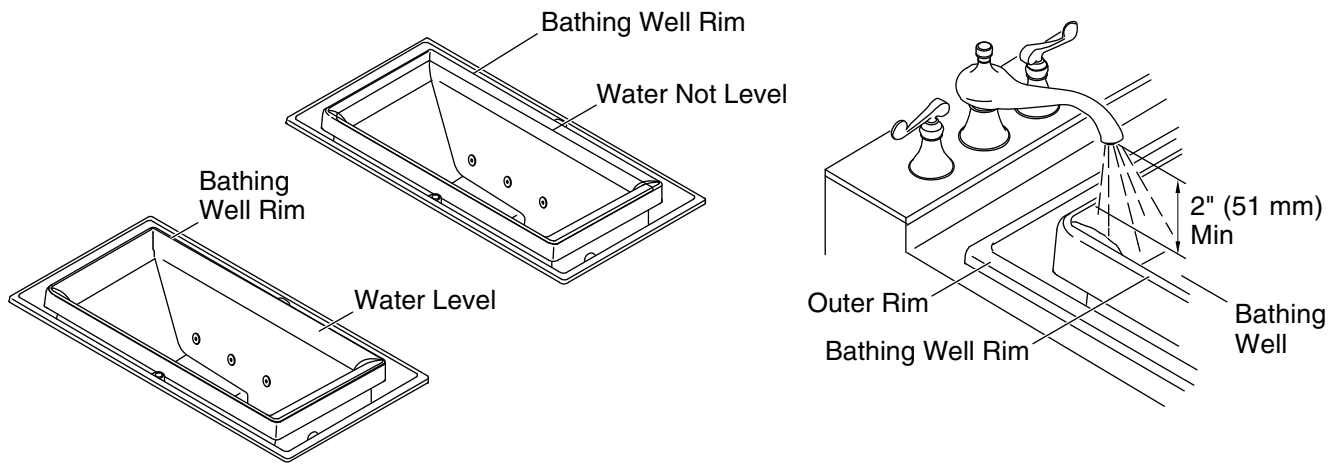
**IMPORTANT! Risk of product damage.** Do not lift or support the overflowing bath by the pump or piping.

**NOTE:** Do not use adhesive or a cement or mortar bed to secure this product to the subfloor.

- With help, carefully lift the overflowing bath into place. Using metal plates under the adjustable feet is recommended and will make leveling the bath easier.

**NOTE:** If you do not have a 72" (1829 mm) level, go to the next section.

- Level by turning the adjustable feet up or down with the wrench (7/8") attached to the harness near the pump. Make sure all four adjustable feet rest directly on the subfloor, and make sure the bathing well rim is level within 1/8" (3 mm) in all directions.
- After the overflowing bath is level, adjust the leveling foot located underneath the pump. Turn the foot until it rests directly on the subfloor. Use an accurate 48" (1219 mm) level, if available. Taking the time to carefully level the overflowing bath now minimizes the need to make leveling adjustments later in the installation.
- Cut and discard the banding straps from the pump.
- Make sure the rubber isolation feet are in place.
- Insert the drain tailpiece into the trap.



## 6. Level the Overflowing Bath (without level)

**NOTICE:** You do not need electrical power for the unit for the following leveling procedure.

- Insert the drain tailpiece into the trap, and connect the drain to the trap according to the drain manufacturer's instructions.
- Close the drain, and plug or cover the suction cover to temporarily make them watertight.
- Use a hose and fresh water supply to fill the bathing well to the bathing well rim.
- Observe the water level (grey shading in illustration = water level) in relation to the bathing well rim.
- If the water evenly cascades over the entire rim of the overflowing bath, no adjustments are needed. The overflowing bath is level.
- If the water level is uneven and only cascades over sections of the rim, use the wrench to turn the adjustable feet up or down as needed to obtain a uniform water level.
- Open the drain, and unplug the suction cover to drain the bathing well.

**IMPORTANT!** Allow adequate access to each of the four adjustable feet until after you have test run your bath.

## 7. Install the Plumbing

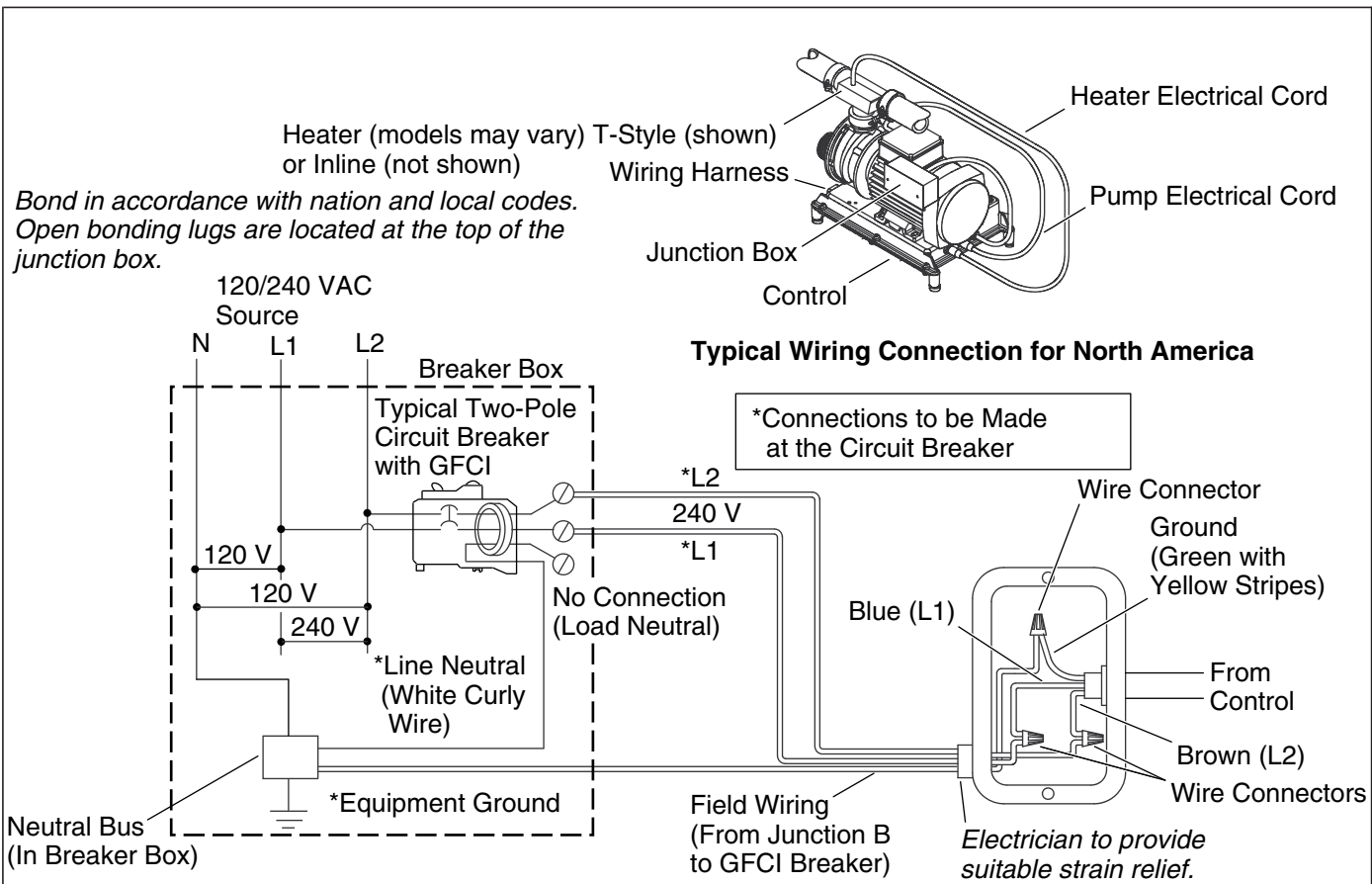


**CAUTION: Risk of property damage.** Ensure a watertight seal on the drain connections.

**IMPORTANT!** Choose a fill spout which will provide adequate air space above the bathing well rim of the bath. You may need to build up the deck material to obtain adequate air space because the outer rim may be lower than the bathing well rim. In addition, if you plan to install a deck-mounted, hand-held shower, the diverter vacuum breaker must maintain a minimum 1" (25 mm) air gap above the outer rim.

**NOTE:** An access panel will simplify future maintenance.

- If you have not yet done so, connect the drain to the trap according to the drain manufacturer's instructions.
- Install the faucet valving according to the faucet manufacturer's instructions. Do not install the faucet trim until instructed.
- Make sure all butterfly valves and supply connections are tightened securely.
- Open the hot and cold water supplies and check the supply connections for leakage.
- Run water into the bathing well, and check the drain connections for leakage.



## 8. Make the Electrical Connections

**NOTE:** The product model number is printed on a label on the pump side of the whirlpool bath. This label also identifies the electrical rating of the product. **All whirlpools come equipped with a wiring junction box and are designed to operate between 220 V and 240 V at either 50 Hz or 60 Hz.**



**WARNING: Risk of electrical shock.** Make sure the power has been disconnected before performing the following procedures. Refer to the "Important Information" section.



**WARNING: Risk of electrical shock.** To reduce the risk of electrical shock, connect the pump to a properly grounded Ground-Fault Circuit-Interrupter (GFCI)\*. This will provide additional protection against line-to-ground shock hazard. A 220-240 V, 20 A, 50/60 Hz dedicated circuit is required.

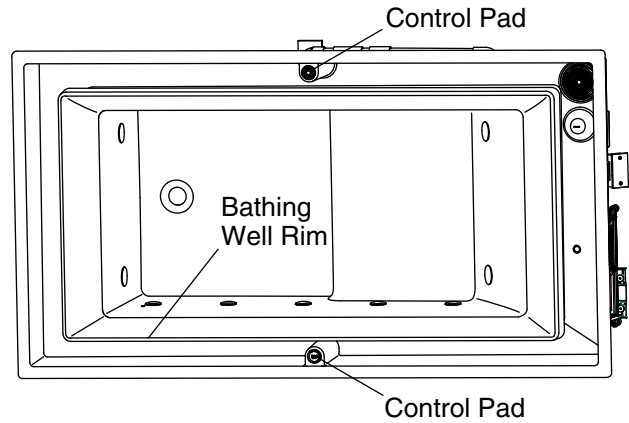
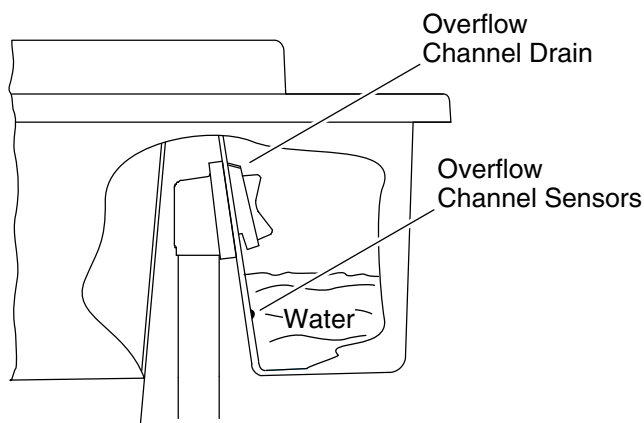
**IMPORTANT!** The **load neutral** is not used. There should be no connection to the **load neutral** terminal on the Ground-Fault Circuit-Interrupter (GFCI) breaker. The green wire with the yellow stripe is the **equipment ground** and needs to be connected to the neutral bus in the main circuit breaker box.

- The whirlpool bath control and system have been pre-wired at the factory. A qualified electrician should make a routine service connection to the junction box.
- Connect service to the junction box. The junction box contains blue, brown, and green with a yellow stripe colored wires.
- Follow local electrical codes. Bond in accordance with national and local codes.
- A wiring harness has been pre-wired at the factory, allowing communication between the keypad, all features, and the control. No additional wiring is required, but ensure that all wires are securely fastened.

**NOTE:** Your wiring harness includes an antenna for the optional remote control. Do not alter or damage this antenna during installation.

**Make the Electrical Connections (cont.)**

\*Outside North America, this device may be known as a Residual Current Device (RCD).



## 9. Test Run the Overflowing Bath

- Check all electrical connections, and make sure the electrical power to the unit is turned on.
- Make sure union connections to the pump, butterfly valves, and inline heater are securely hand tightened. Make sure the bathing well and overflow channel are clean and free of debris.
- Position the metal suction screen over the plastic suction cover. The pump may cavitate if the metal screen is not in place.
- Fill the overflowing bath bathing well with water so it overflows the bathing well rim and flows into the overflow channel. Continue filling the bathing well until both overflow channel sensors are completely covered with water, and the water level is at the drain overflow.
- Verify that the green light in the pump control switch starts to blink automatically within 1/2 minute after the overflow channel sensors are completely submerged.

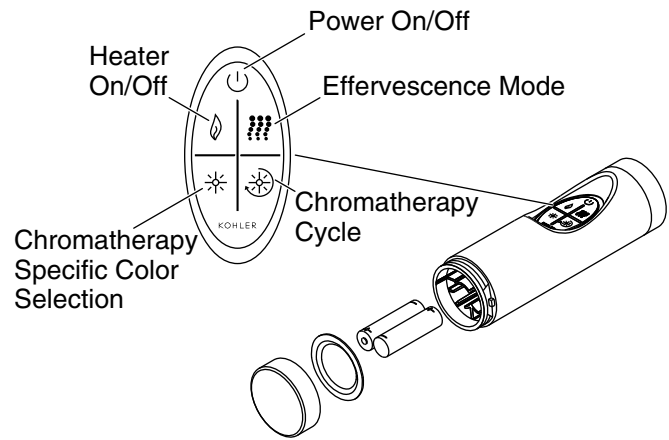
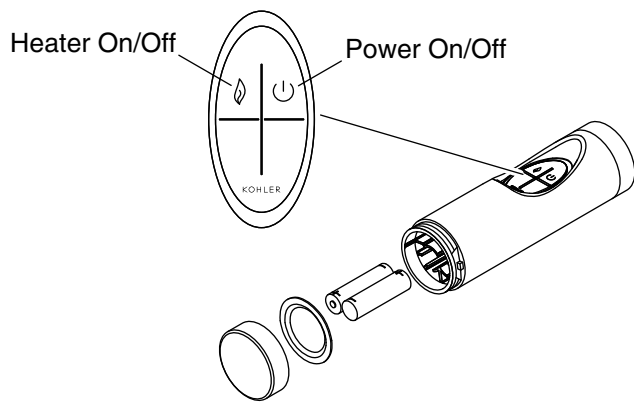
## 10. Test the Control Switch

- Press the pump control switch to start the pump/motor and begin the hydro-therapy cycle. As the pump/motor turns on and the water begins to circulate, the light will turn to constant green, and will stay on as long as the overflowing bath is running.
- With the unit running, check all harness (piping) connections for leaks. Visually observe the cascading water flow over the bathing well rim to verify that it is smooth and even along all four sides and corners.
- If the water is cascading uniformly over all four sides of the bathing well rim, you do not need to make further leveling adjustments.
- If further leveling is necessary, keep the overflowing bath running and turn the adjustable feet up or down with the 7/8" wrench provided. Make sure the unit is resting on all four adjustable feet.
- Verify that the chromatherapy lights (if applicable) are operating. Press the chromatherapy control switch (located directly across the bath from the power switch) to turn on the lights. Upon start-up the lights should be changing through the color sequence. Press the light control switch a second time. The lights should stop sequencing and stay one color. Press the light control switch again and lights will deactivate.
- Check the harness connections for leakage one more time.
- Press the pump control switch again to turn off the bath. The green light in the pump control switch will then start to blink automatically (after approximately 1/2 minute) until the overflowing bath is drained or restarted.

**NOTE:** For additional information on operation of your bath, see the "Using Your Bath" section.

**Test the Control Switch (cont.)**

**IMPORTANT!** Allow adequate access to each of the four adjustable feet until test run is complete.



## 11. Test the Remote Control

**NOTE:** There are two types of remote controls available: a basic unit and a unit with controls for chromatherapy and effervescence. Determine which unit you have and follow the corresponding directions.

**NOTE:** Your remote requires two AAA batteries. To install or replace them, simply unscrew the base of the remote.

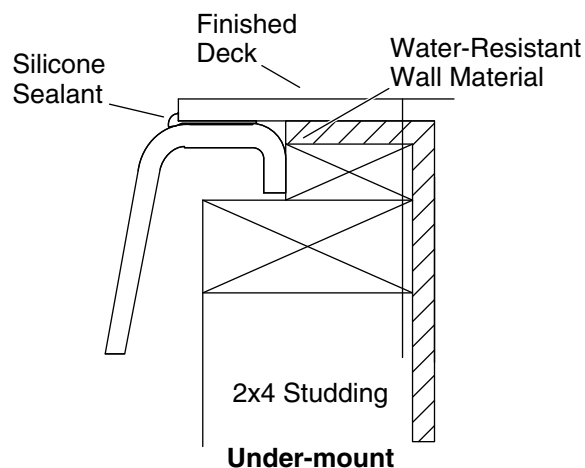
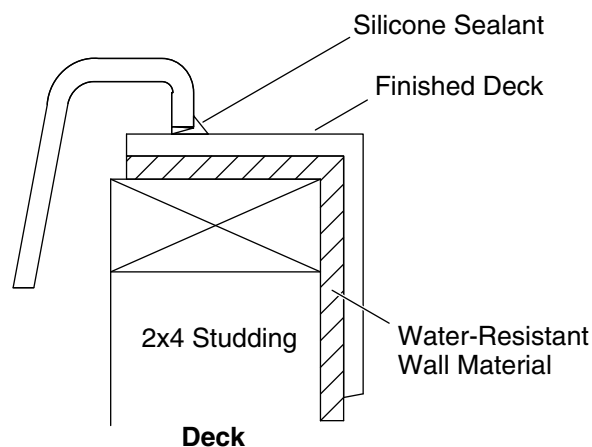
Your overflowing bath is equipped with a waterproof remote.

To turn the pump and the chromatherapy lights on and off, press the power button.

To reheat the water in the overflowing bath as it circulates, turn the heater on by pressing the heater icon (the heater defaults to "On" when the pump is turned on). Press the heater icon again to turn the heater off. The heater will not operate if the pump is off. If the heater is on, the pump switch will be dark green. If the heater is off, it will be yellow-green.

To cycle the chromatherapy lights through the spectrum of colors, press the chromatherapy cycle icon.

To lock an individual chromatherapy color in, press the chromatherapy specific color icon.



## 12. Complete the Finished Wall or Deck

**NOTICE:** Provide unrestricted service access to the pump, inline heater, adjustable feet, and control box. You must construct an access panel to provide sufficient clearance for servicing the pump, inline heater, and control box.

- Protect the product surface. Cover the framing with water-resistant wall material.
- Keep the entire overflow channel area exposed to allow access to the drain overflow, and to permit easy cleaning of the overflow channel surfaces.
- Seal the joints between the rim edge and the water-resistant wall or deck material with silicone sealant.
- Tape and mud the water-resistant wall material.
- Install the finished wall to the water-resistant wall material.
- Seal the joints between the product rim and the finished wall material with silicone sealant.

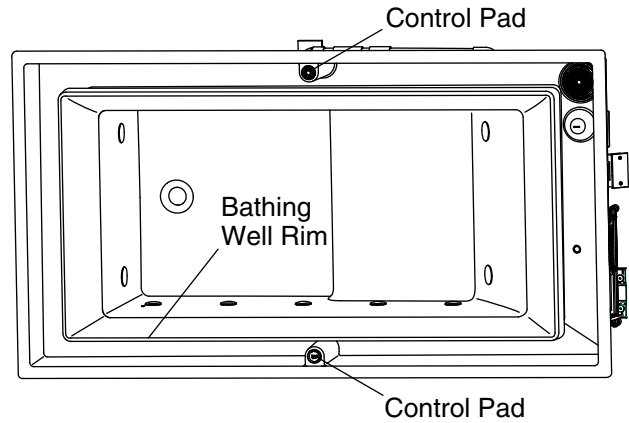
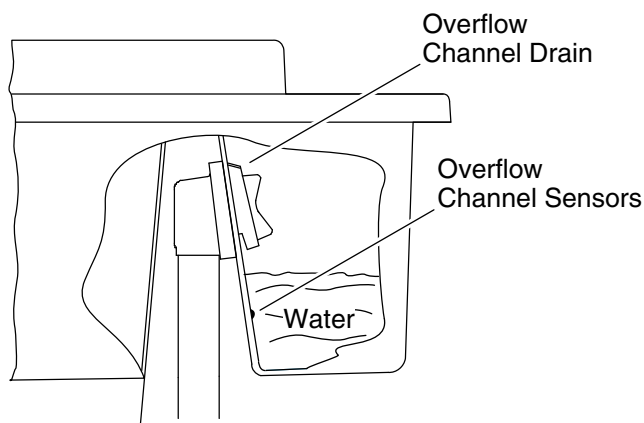
## 13. Install the Faucet Trim

- Install the faucet trim according to the instructions packed with the trim.

## 14. Clean-Up After Installation

- When cleaning up after installation, **do not use abrasive cleansers**, as they may scratch and dull the bath surface. Use warm water and a liquid detergent to clean the surface.
- Remove stubborn stains, paint, or tar with turpentine or paint thinner. **Do not allow cleaners containing petroleum distillates to remain in contact with any bath surfaces for long periods of time.** Remove plaster by carefully scraping with a wood edge. Do not use metal scrapers, wire brushes, or other metal tools. Use a powder-type detergent on a damp cloth to provide mild abrasive action to any residual plaster.





## 15. Using Your Bath

### Fill the Overflowing Bath

**NOTE:** Please read these steps carefully before you operate your bath.

- Make sure the metal suction screen is clean, and is correctly in place over the plastic suction cover.

**NOTE:** The water temperature in the bath should not exceed 104°F (40°C) or the heater will not operate.

**IMPORTANT!** Like any other bath, prevent flooding the area around the unit by entering the filled bathing well slowly. This will allow the system to properly drain excess water.

- Fill the unit with water so the bathing well overflows into the overflow channel to the drain. The channel sensors should be completely covered with water.
- The green light in the pump control switch will start to blink automatically within 1/2 minute after the sensors are submerged to let you know the unit is ready to start.

### Operating Sequence

- Press the pump control switch to start the pump/motor and begin operation.
- As the pump/motor turns on and water begins to circulate, the light on the pump control switch will change to solid green, and will stay on as long as the overflowing bath is running.
- Verify that the indicator light for the heater is on when the overflowing bath is in operation. This indicator light is located on the underside of the heater box, and is near the subfloor at the pump end of overflowing bath. If the light is not on when the overflowing bath is running, reset the GFCI.
- Press the pump control switch again to turn off the overflowing bath. The green light in the pump control switch will then start to blink automatically for approximately 1/2 minute until the overflowing bath is drained below the overflow channel sensors or restarted.

**NOTE:** A built-in timer automatically stops the bath after approximately 20 minutes of operation.

- Press the pump control switch again to start the pump/motor and begin operation.
- Press the "On/Off" control switch to start the pump/motor and begin operation.
- An orange light in the "On/Off" control switch will temporarily turn on to indicate the start of the operating mode.
- As the pump/motor turns on and water begins to circulate, the light will change to solid green, and will stay on as long as the overflowing bath is running.

## Using Your Bath (cont.)

- Verify that the indicator light for the heater is on when the overflowing bath is in operation. This indicator light is located on the underside of the heater box, and is near the subfloor at the pump end of overflowing bath. If the light is not on when the overflowing bath is running, press the reset button located to the right of the indicator light on the heater box.
- Press the "On/Off" control switch again to turn off the overflowing bath. The orange light in the "On/Off" switch will temporarily turn on to indicate the end of the operating mode. The green light in the "On/Off" control switch will then start to blink automatically until the overflowing bath is drained below the overflow channel sensors or restarted.

**NOTE:** A built-in timer automatically stops the bath after approximately 20 minutes of operation.

## 16. Chromotherapy Light Operation (if equipped)

**NOTE:** These directions pertain to the use of the mounted control pad only. For more information, see the "Test the Remote Control" section.

- If the chromotherapy lights are turned off, press the button on the control pad (located on the opposite side of the overflowing bath). The chromotherapy lights will begin to cycle through each of the colors (sweep mode).
- When the chromotherapy lights are in sweep mode, you can lock in one color light by pressing the control button.
- When an individual color is locked in, press the control button to turn the chromotherapy lights off.

## Troubleshooting Procedures

For warranty service, contact your dealer or wholesale distributor. This Troubleshooting Guide is for general aid only. Contact a Kohler Authorized Service Representative or a qualified electrician to correct all electrical problems. For warranty service, contact your dealer or wholesale distributor.

Symptoms	Probable Causes	Recommended Action
1. Green light in "On/Off" control switch flashes before the bathing well is full of water.	<p>A. Spout fills directly into overflow channel.</p> <p>B. One or both butterfly valves do not work.</p> <p>C. Control does not work.</p>	<p>A. Adjust/reinstall the spout to fill directly into the bathing well. Refer to the installer/dealer.</p> <p>B. Check the butterfly valve wiring or replace the butterfly valves. Refer to the installer/dealer.</p> <p>C. Check the wiring or replace the control. Refer to the installer/dealer.</p>
2. Product does not start.	<p>A. No power to unit.</p> <p>B. Water does not cover the overflow channel sensors.</p> <p>C. "On/Off" control switch does not light up or flash when the unit is running or filled as required.</p> <p>D. Pump/motor does not work.</p>	<p>A. Turn on the power to the unit, or correct the source of the power loss. Refer to the installer/dealer.</p> <p>B. Fill the bathing well until water flows over the bathing well rim, into the overflow channel, and covers the overflow channel sensors. Suggested fill level is to the drain overflow.</p> <p>C. Check the wiring or replace the "On/Off" control switch. Refer to the installer/dealer.</p> <p>D. Rebuild or replace the pump/motor. Refer to the installer/dealer.</p>

<b>Troubleshooting Procedures (cont.)</b>		
<b>Symptoms</b>	<b>Probable Causes</b>	<b>Recommended Action</b>
	E. Control does not work.	E. Check the wiring or replace the control. Refer to the installer/dealer.
3. Water does not cascade evenly over the entire bathing well rim.	A. Unit is not level. B. Bathing well ports are blocked. C. Metal suction screen is blocked.	A. Level the unit by using the wrench provided to turn the adjustable feet up or down as needed. B. Remove blockage. C. Clean the metal suction screen.
4. Unit stops automatically before 18 minutes.	A. GFCI trips. B. Motor overheated and protection device activated. C. Water level drops below the overflow channel sensors during operation ("yellow" ring will be flashing on pump switch).	A. Identify the source of the fault and correct. Refer to the installer/dealer. B. Check for blockage of the motor vent. Allow the motor to cool, then remove the blockage. Check for a plugged metal suction screen, and allow the motor to cool before restarting. Check for blockage of the bathing well ports. Remove the blockage, and allow the motor to cool before restarting. C. Fill the bathing well until water flows over the bathing well rim, into the overflow channel, and covers the overflow channel sensors. Suggested fill level is to the drain overflow. Make sure the bath drain seals properly.
5. Noisy operation.	A. Metal suction screen is not in place over the plastic suction cover. B. Insufficient water level in the overflow channel. C. Pump/motor rattles.	A. Position the metal suction screen over the plastic suction cover to prevent cavitation. B. Fill the bathing well until water flows over the bathing well rim, into the overflow channel, and covers the overflow channel sensors. Suggested fill level is to the drain overflow. Make sure the bath drain seals properly. C. Make sure the pump/motor banding straps have been cut.
6. Water temperature drops significantly over 20 minutes of operation.	A. Heater limit switch tripped. Indicator light should be "On" during operation. B. Heater does not work.	A. Reset the GFCI/ELCB. B. Check the wiring or replace the heater. Refer to the installer/dealer.
7. Chromatherapy lights do not work.	A. Damaged wiring harness. B. Control does not work.	A. Check the wiring or replace the control. Refer to the installer/dealer. B. Replace wiring harness. Refer to the installer/dealer.
8. Remote control does not work.	A. Batteries improperly installed or dead. B. Control does not work. C. Remote control is not programmed correctly.	A. Replace the batteries. B. Replace wiring harness. Refer to the installer/dealer. C. See homeowners guide or service manual.

**Troubleshooting Procedures (cont.)**

<b>Symptoms</b>	<b>Probable Causes</b>	<b>Recommended Action</b>
	D. Remote control does not work. E. Control switch does not work.	D. Replace the remote control. E. Replace the control.
9. Water does not reach bath rim upon filling.	A. No power to the unit.  B. Level probe wires loose. C. Butterfly valves do not work.  D. Control switch does not work.	A. Turn on the power.  B. Check/reconnect wires. C. Check wiring; replace butterfly valves if necessary. D. Replace control.

# Guide d'installation

## Baignoire à déversement

### Renseignements importants



**AVERTISSEMENT:** Lors de l'utilisation de produits électriques, toujours observer les précautions de base, dont les suivantes :



**DANGER:** Risque de blessures ou de noyade accidentelles. Cet appareil n'est pas destiné à être utilisé par des personnes dont les capacités physiques, sensorielles ou mentales sont réduites, ou qui ont un manque d'expérience ou de connaissances. Les enfants doivent être supervisés pour assurer qu'ils ne jouent pas avec cet appareil.



**AVERTISSEMENT:** Risque de choc électrique. Raccorder uniquement à un circuit protégé par un disjoncteur de fuite de terre (GFCI)\*.



**AVERTISSEMENT:** Risque de choc électrique. Un électricien qualifié doit effectuer toutes les connexions électriques.



**AVERTISSEMENT:** Risque de choc électrique. Déconnecter l'alimentation électrique avant d'effectuer un entretien.



**AVERTISSEMENT:** Risque de blessures. La personne dans la baignoire à hydromassage ne doit pas pouvoir accéder aux pièces qui contiennent des parties sous tension, sauf les pièces fournies avec une tension de sécurité extra basse et ne dépassant pas 12 V.



**AVERTISSEMENT:** Risque de blessures ou d'endommagement du matériel. Toutes les instructions doivent être lues avec la plus grande attention avant de commencer l'installation, et toutes les conditions suivantes doivent être respectées.

**AVIS:** Respecter tous les codes de plomberie et électriques locaux.

Installer de façon à permettre un accès pour l'entretien.

Un fil conducteur vert avec bande jaune est fourni dans le compartiment de câblage. Afin de réduire les risques de choc électrique, raccorder ce fil à une borne de terre du panneau de service électrique ou du panneau d'alimentation avec un câble en cuivre ayant la même dimension que le conducteur du circuit qui alimente cet équipement.

Un connecteur à pression pour câbles est fourni à l'extérieur de la pompe ou de la commande de cet appareil afin de permettre la connexion d'un conducteur de liaison entre cet appareil et toutes autres surfaces de métal avoisinantes, comme requis par les réglementations locales.

**Une mise à la terre est requise.** L'ensemble doit être installé par un représentant qualifié et doit être mis à la terre.

Les matériaux de construction et le câblage doivent être acheminés loin du corps de la pompe et des autres composants de l'ensemble qui dégagent de la chaleur.

\*Hors de l'Amérique du Nord, ce dispositif peut être connu sous le nom de dispositif à courant résiduel (RCD).

## Renseignements importants (cont.)

### Renseignements importants sur le produit

#### Notices du produit



**AVERTISSEMENT: Des modifications non approuvées pourraient provoquer un fonctionnement dangereux et un mauvais rendement de la baignoire.** Ne pas déplacer la pompe et ne pas effectuer d'autres modifications sur le système de circulation, car cela pourrait avoir un effet sur le rendement et le fonctionnement sécuritaire de la baignoire. Kohler Co. décline toute responsabilité sous sa garantie et pour toutes blessures ou tous dommages causés par de telles modifications non autorisées.

#### Inspection du produit

Déballer le produit avec précaution et inspecter l'unité afin d'y déceler des dommages éventuels. Remettre l'unité dans le carton pendant la construction afin d'éviter des dommages.

#### Caractéristiques de composants assemblés à l'usine

Les composants installés à l'usine incluent la pompe, les capteurs de niveau, le chauffe-eau en ligne, les lampes de chromothérapie submergées (optionnelles), la commande et l'interrupteur. La pompe et la tuyauterie sont assemblées en usine.

#### Connexions et accès pour l'entretien

**AVIS: Fournir un accès libre à la pompe et au chauffe-eau.** Fournir un accès libre à la pompe, au chauffe-eau en ligne, aux pieds réglables, et au boîtier de commande. Un panneau d'accès doit être construit pour fournir un dégagement suffisant pour l'entretien de la pompe, du chauffe-eau en ligne, et du boîtier de commande. Le panneau d'accès doit être situé juste à côté de la pompe et du chauffe-eau en ligne. Étudier les renseignements sur le raccordement.

#### Installations électriques requises

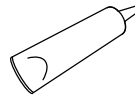
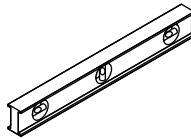
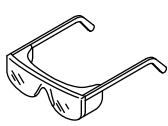
Cette installation doit être munie de deux disjoncteurs de fuite de terre (GFCI) de classe A\*. Le disjoncteur GFCI protège contre les risques d'électrocution de tension phase-terre. Utiliser une alimentation dédiée de 208 - 240 V, 20 A, 50/60 Hz pour les commandes de la pompe. Utiliser une alimentation dédiée de 220 - 240 V, 20 A, 50/60 Hz pour le chauffe-eau.

Une borne de mise à la terre de l'équipement est incluse dans le boîtier du câblage sur place. Pour réduire les risques de choc électrique, cette borne doit être raccordée à un dispositif de mise à la terre fourni dans le panneau d'alimentation électrique, avec un conducteur ayant le même calibre que celui des conducteurs du circuit qui alimente cet équipement.

Installer l'appareil conformément au Code Électrique Canadien, Partie I.

\*Hors de l'Amérique du Nord, ce dispositif peut être connu sous le nom de dispositif à courant résiduel (RCD).

## Outils et matériel



### Plus :

- Outils et matériaux de menuiserie classiques
- Toile de protection
- 2x4 ou 2x6

Niveau de 4 pi (1,2 m) Mastic à la silicone

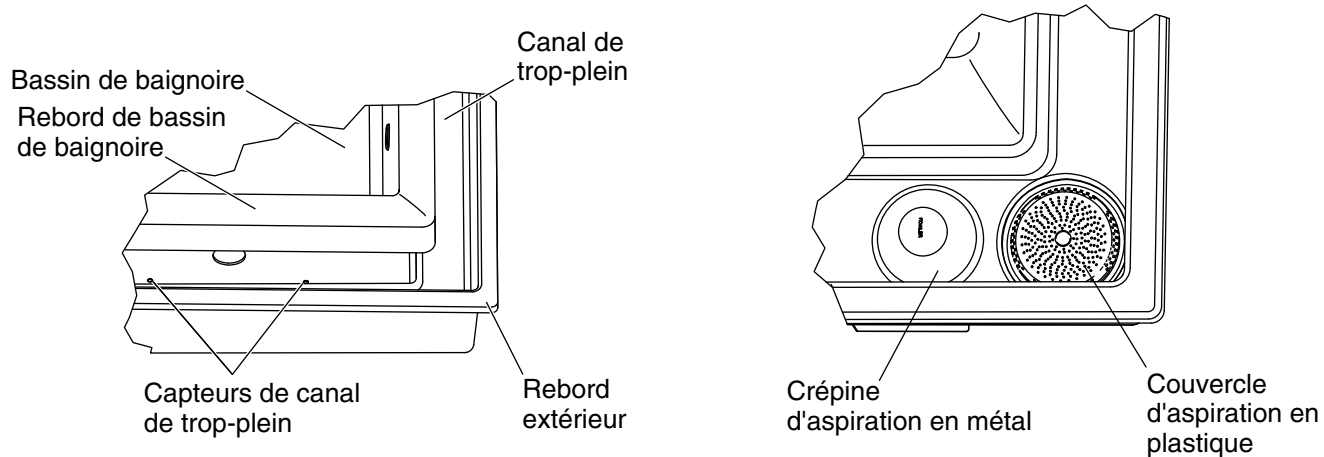
## Introduction

Lire ces instructions avec la plus grande attention afin de se familiariser avec les outils, le matériau et les séquences d'installation nécessaires. Suivre les sections qui s'appliquent à l'installation en question. Cela permettra d'éviter des erreurs qui pourraient être coûteuses. En plus des instructions d'installation adéquate, lire toutes les instructions portant sur le fonctionnement et la sécurité.

Tous les renseignements fournis dans ce manuel sont fondés sur les derniers renseignements disponibles sur le produit au moment de la parution. Chez Kohler Co., nous nous efforçons constamment d'améliorer la qualité de nos produits; nous nous réservons par conséquent le droit de procéder à des modifications au niveau des caractéristiques des produits, de l'emballage, ou de la disponibilité à tout moment, sans avis préalable.

## Avant de commencer

- Votre baignoire est conçue pour une installation à montage sur plateforme ou en alcôve, ou à encastrer par le dessous.
- Cette baignoire doit être installée sur un sous-plancher supporté de manière adéquate, et de niveau.
- Fournir une charpente de dimensions appropriées.
- Choisir un bec de remplissage qui offrira une portée adéquate et une coupure anti-retour de 2 po (51 mm) minimum au-dessus du rebord du bassin de la baignoire à déversement. Le matériau de la plateforme devra peut-être être construit de manière à obtenir un espace d'air adéquat parce que le rebord extérieur pourrait être plus bas que le rebord du bassin de la baignoire en fonction de la zone spécifique de la baignoire.
- Respecter tous les codes de plomberie locaux.
- La baignoire doit être remplie d'eau en passant par le bassin de la baignoire, et non pas le canal de trop-plein.
- Si on prévoit d'installer une douchette montée sur plateforme, l'inverseur du casse-vidé doit maintenir une coupure anti-retour de 1 po (25 mm) minimum au-dessus du rebord de la baignoire.
- Lors de l'utilisation du bec de baignoire laminaire K-922 ou K-923 avec le plateau d'égouttage K-924, la distance entre le mur fini et le mur extérieur du canal de trop-plein ne doit pas dépasser 2 po (51 mm).
- Kohler Co. se réserve le droit d'apporter des modifications à la conception des produits sans avis préalable, tel que spécifié dans le catalogue des prix.



## Liste des termes

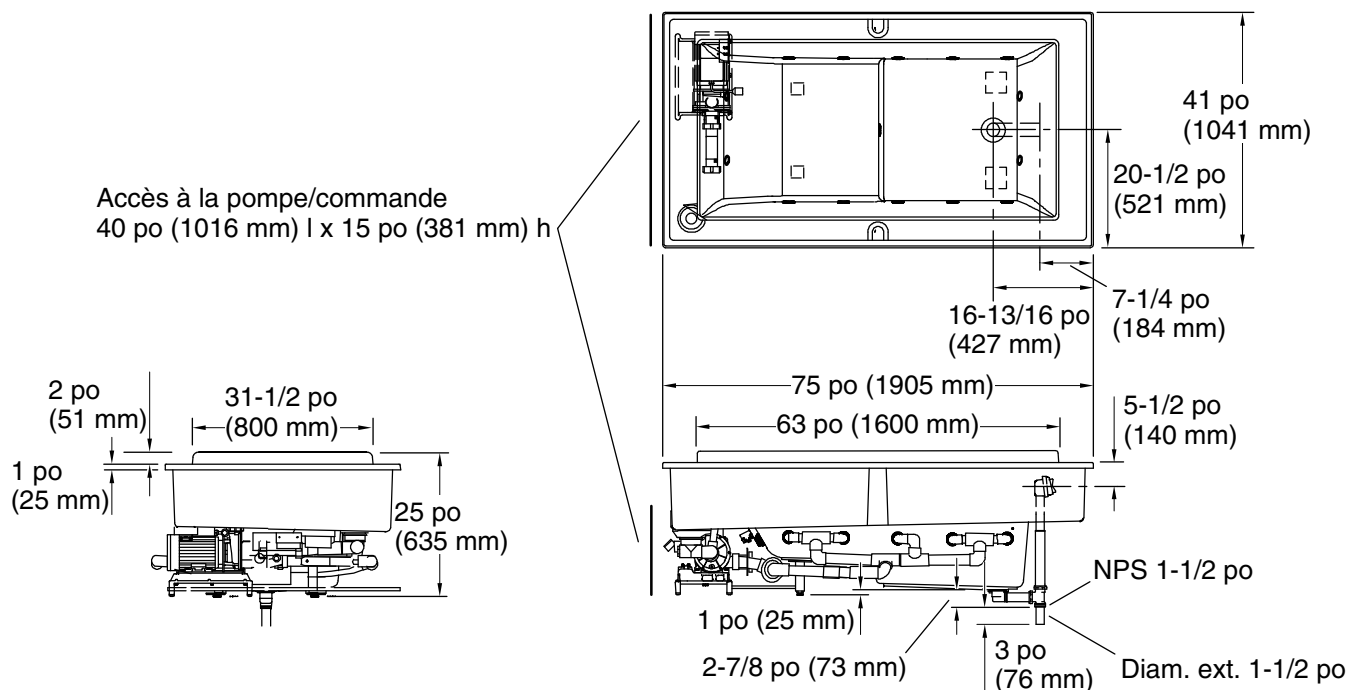
- **Bassin de baignoire** - La partie profonde de la baignoire à déversement utilisée par la personne qui prend le bain.
- **Rebord du bassin de la baignoire** - Le rebord élevé entre le bassin de la baignoire et le canal de trop-plein. L'eau s'écoulera en cascade de manière uniforme par-dessus le rebord du bassin de la baignoire et dans le canal de trop-plein pendant le fonctionnement.
- **Cavitation** - Lorsque de l'air est aspiré dans la pompe au lieu de l'eau au point où cela compromet ou arrête la capacité de la pompe de faire circuler de l'eau.
- **Boîtier de commande de chromothérapie** - Allume et éteint les lampes de chromothérapie (s'il y a lieu).
- **Lampes de chromothérapie** - Lampes fournies dans la cuve de la baignoire (s'il y a lieu) pour enrichir votre expérience de bain.
- **Chauffe-eau** - Conçu pour aider à maintenir automatiquement la température de l'eau à un maximum de 104°F (40°C) pour améliorer votre expérience d'hydromassage. Le chauffe-eau se met en marche automatiquement lorsque la baignoire à hydromassage fonctionne, et il s'arrête lorsque le moteur de la pompe est éteint.
- **Commande principale** - Cette unité est située sous la pompe. Elle fournit le « cerveau » du système, en interprétant tous les signaux entrants et sortants.
- **Crépine d'aspiration en métal** - La crépine amovible en métal située sur le couvercle d'aspiration en plastique dans le canal de trop-plein. La crépine d'aspiration doit toujours être propre et en place lorsque la baignoire à déversement fonctionne, afin d'empêcher les débris d'entrer dans l'orifice d'arrivée d'eau et d'empêcher une cavitation et un fonctionnement médiocre.
- **Rebord extérieur** - Le rebord le long de l'extérieur du canal de trop-plein.
- **Canal de trop-plein** - Le canal de collecte d'eau de déversement qui entoure le bassin de la baignoire. Le canal de trop-plein recueille l'eau qui se déverse du rebord du bassin de la baignoire pendant un fonctionnement normal, et recanalise l'eau dans le système de tuyauterie pour la faire recirculer.
- **Capteurs de canal de trop-plein** - Les deux sondes en métal dans le mur du canal de trop-plein sous le capot de trop-plein du drain. Ces capteurs empêchent l'activation de la pompe si la quantité d'eau disponible est insuffisante et arrêtent automatiquement la pompe si le niveau d'eau descend au-dessous d'eux. La pompe fonctionne seulement lorsque ces deux capteurs sont entièrement submergés.
- **Interrupteur de commande de la pompe** - Met la pompe en marche et l'arrête.



### Liste des termes (cont.)

- **Couvercle d'aspiration en plastique** - Le dispositif de protection en plastique attaché sur l'orifice d'arrivée d'eau se trouvant dans le canal de trop-plein. Le couvercle d'aspiration doit toujours être installé lorsque le produit est utilisé afin d'assurer la sécurité des utilisateurs.
- **Pompe** - La pompe fait circuler l'eau.
- **Faisceau de câblage** - Le faisceau de câblage connecte tous les composants périphériques sous tension (vannes, pompe, chauffe-eau, interrupteurs, lampes) à la commande principale.

Aucune modification de mesures si le dispositif est connecté avec le drain illustré. (K-7193 ou K-7193M)  
 Découper 73-1/2 po (1867 mm) x 39-1/2 po (1003 mm)

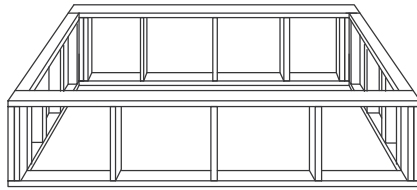


## 1. Renseignements sur le raccordement

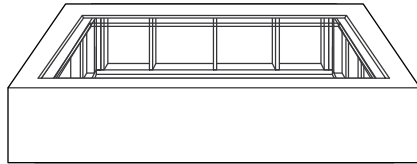
**AVIS:** Le support du plancher sous la baignoire à hydromassage doit pouvoir soutenir une charge minimale de 2000 lb (907,2 kg).

- Deux services électriques distincts de 240 V sont nécessaires : un pour la pompe/commande, et un pour le chauffe-eau.
- Consulter les codes locaux et nationaux pour les exigences d'espace d'air minimum lors de l'installation d'un bec sur le comptoir du robinet.
- La baignoire à déversement doit être remplie en passant par le bassin de la baignoire.
- L'alimentation en eau chaude doit être à 70% de sa capacité ou plus.
- Cet appareil est conforme à la norme ANSI Z124.1. Toutes les dimensions sont nominales.
- Il n'y a aucune modification de mesures s'il est connecté avec le drain illustré (K-7193, K-7193M).
- Découpe = 73-1/2 po (1867 mm) x 39-1/2 po (1003 mm)
- Un panneau d'accès est requis. Les dimensions recommandées pour ce panneau d'accès sont 40 po (1016 mm) l x 15 po (381 mm) H. Consulter le diagramme de raccordement pour l'emplacement recommandé pour le panneau d'accès.
- S'assurer que le plancher est en bon état et qu'il offre un support adéquat pour la baignoire en question.

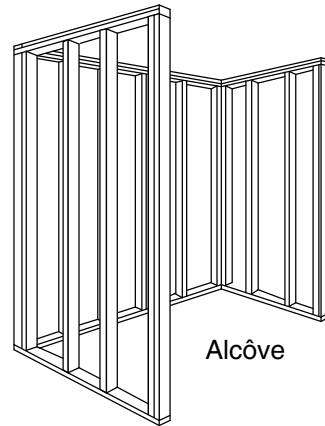
**IMPORTANT!** Vérifier que le sous-plancher est plat et de niveau. Cela aidera à réduire les ajustements de nivellement nécessaire pour un bon rendement du produit.



Plateforme



Encastrement par le dessous

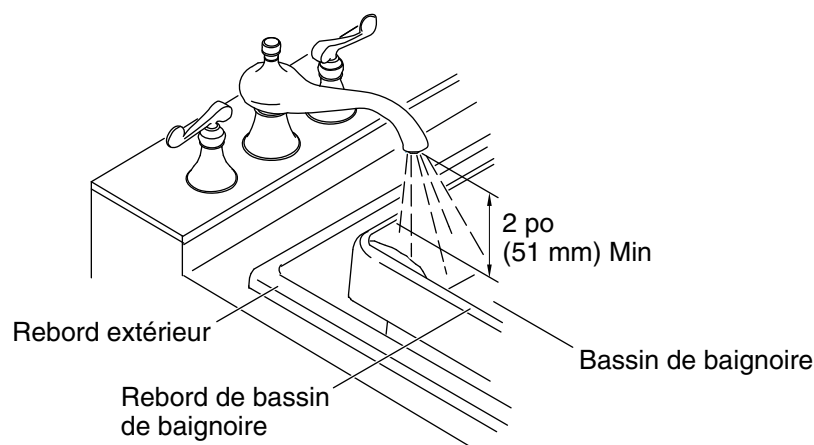


Alcôve

## 2. Construire le pan à colombages

**AVIS:** Fournir un accès libre à la pompe, au chauffe-eau en ligne, aux pieds réglables, et au boîtier de commande. Un panneau d'accès doit être construit pour fournir un dégagement suffisant pour l'entretien de la pompe, du chauffe-eau en ligne, et du boîtier de commande.

- Construire un pan à colombages conçu pour l'installation en question. La baignoire à déversement peut être installée dans une plateforme ou en alcôve, ou elle peut être encastrée par le dessous.
- Préparer le plancher, ou construire une charpente pour une installation élevée, conformément aux renseignements sur le raccordement.
- Lors de la construction de la charpente, tenir compte de l'épaisseur du matériau de sous-plancher et de la plateforme finie.
- La charpente doit être construite en 2x4.
- Pour les installations encastrées par le dessous, tenir compte de l'épaisseur du matériau de plateforme prévu et fournir un support adéquat.
- Ne pas soutenir la baignoire par le rebord.
- Lors de la planification du pan à colombages, tenir compte de la coupure anti-retour de 2 po (51 mm) requise entre l'extrémité du bec de remplissage et le dessus du rebord du bassin de la baignoire. Tenir compte de l'épaisseur du matériau de la plate-forme finie prévue et construire le matériau de la charpente et de la plateforme en considérant cette coupure anti-retour minimum.



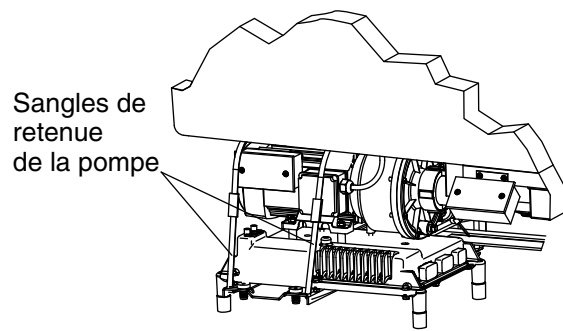
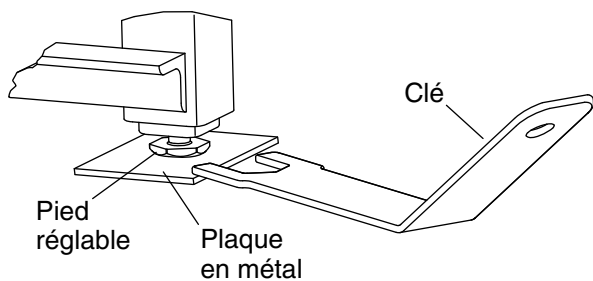
### 3. Installer la plomberie de raccordement

**IMPORTANT!** Choisir un bec de remplissage qui offrira une coupure anti-retour de 2 po (51 mm) minimum au-dessus du rebord de la cuve de la baignoire à déversement. D'autre part, si on prévoit d'installer une douchette montée sur plateforme, l'inverseur du casse-vide doit maintenir une coupure anti-retour de 1 po (25 mm) minimum au-dessus du rebord du bassin de la baignoire à déversement.

- Positionner la plomberie. Positionner l'arrivée du bec de remplissage de manière à ce que le bec puisse atteindre à la fois l'arrière du rebord extérieur et le rebord du bassin de la baignoire. **L'eau en provenance du bec de remplissage doit être dirigée dans le bassin de la baignoire pour remplir la baignoire à déversement.** La baignoire à déversement ne doit jamais être remplie en dirigeant l'eau dans le canal de trop-plein.
- Boucher les alimentations et s'assurer de l'absence de fuites.

### 4. Préparer l'unité

- Lever avec précaution la baignoire à déversement hors du carton.
- Identifier le boîtier se trouvant à l'intérieur du canal de trop-plein. Ce boîtier comprend une crépine d'aspiration en métal et doit être conservé pour être utilisé avec ce produit.
- Installer le drain conformément aux instructions du fabricant du drain. Ne pas connecter le siphon pour l'instant.
- Placer une toile de protection propre ou un matériau similaire dans le fond de la baignoire. Veiller à ne pas rayer la surface de la baignoire à déversement.



## 5. Positionner l'unité

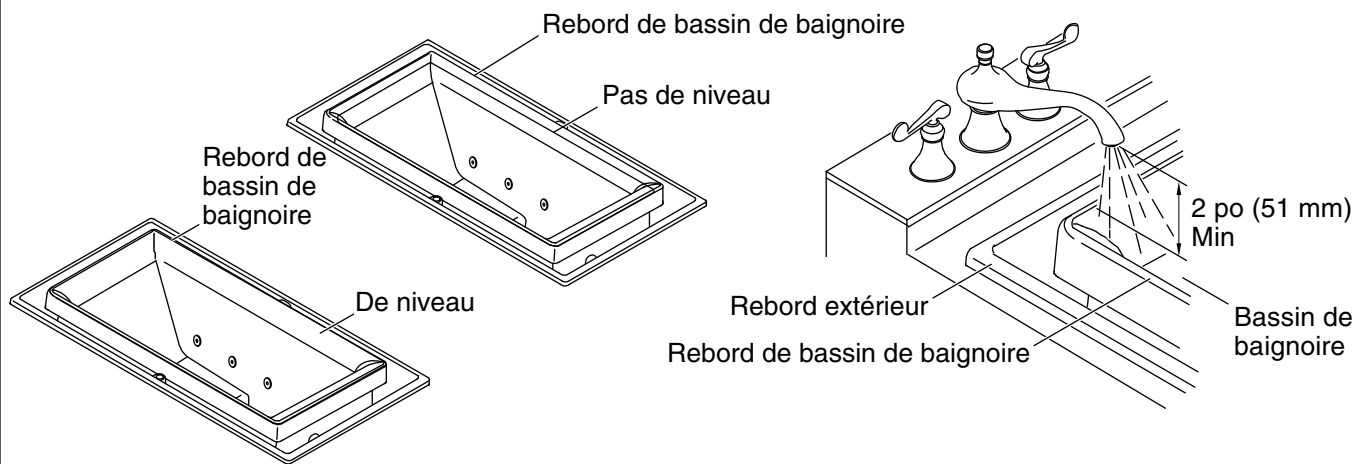
**IMPORTANT! Risque d'endommagement du produit.** Ne pas lever ou soutenir la baignoire à déversement par la pompe ou la tuyauterie.

**REMARQUE:** Ne pas utiliser un adhésif, ou un lit de ciment ou de mortier pour sécuriser ce produit sur le sous-plancher.

- Avec de l'aide, lever la baignoire avec précaution pour la mettre en place. L'utilisation de plaques en métal sous les pieds réglables est recommandée et facilitera le nivellement de la baignoire.

**REMARQUE:** Si l'on n'a pas de niveau de 72 po (1829 mm), passer à la section suivante.

- Mettre de niveau en tournant les pieds réglables vers le haut ou le bas avec la clé (7/8 po) fixée au faisceau à proximité de la pompe. S'assurer que les quatre pieds réglables reposent directement sur le sous-plancher et s'assurer que le rebord du bassin de la baignoire soit de niveau dans un espace de 1/8 po (3 mm) dans toutes les directions.
- Lorsque la baignoire à déversement est de niveau, ajuster le pied de mise à niveau se trouvant sous la pompe. Tourner le pied jusqu'à ce qu'il repose directement sur le sous-plancher. Utiliser un niveau de 48 po (1219 mm) précis, si disponible. Le fait de prendre du temps maintenant pour mettre la baignoire à déversement de niveau avec précaution réduit le besoin d'effectuer des réglages de niveau plus tard au cours de l'installation.
- Couper et jeter les sangles de retenue de la pompe.
- S'assurer que les pieds isolants en caoutchouc sont en place.
- Insérer l'about du drain dans le siphon.



## 6. Mettre la baignoire à déversement de niveau (sans niveau)

**AVIS:** Une alimentation électrique n'est pas nécessaire pour l'unité pour la procédure de nivellement ci-dessous.

- Insérer l'about du drain dans le siphon et connecter le drain au siphon conformément aux instructions du fabricant du drain.
- Fermer le drain et boucher ou recouvrir le couvercle d'aspiration pour les rendre étanche à l'eau de manière temporaire.
- Utiliser un tuyau et une alimentation en eau douce pour remplir le bassin de la baignoire jusqu'au rebord du bassin.
- Observer le niveau d'eau (ombrage en gris dans l'illustration = niveau d'eau) par rapport au rebord du bassin de la baignoire.
- Si l'eau tombe en cascade de manière uniforme sur l'ensemble du rebord de la baignoire à déversement, aucun ajustement ne sera nécessaire. La baignoire à déversement est de niveau.
- Si le niveau d'eau est inégal et si l'eau tombe uniquement en cascade sur des sections du rebord, utiliser la clé pour tourner les pieds réglables vers le haut ou le bas au besoin afin d'obtenir un niveau d'eau uniforme.
- Ouvrir le drain et déboucher le couvercle d'aspiration pour vider le bassin de la baignoire.

**IMPORTANT!** Laisser un accès adéquat pour chacun des quatre pieds réglables jusqu'à ce qu'un essai de fonctionnement de la baignoire ait été effectué.

## 7. Installer la plomberie



**ATTENTION: Risque de dommages matériels.** Assurer un joint étanche sur toutes les connexions du drain.

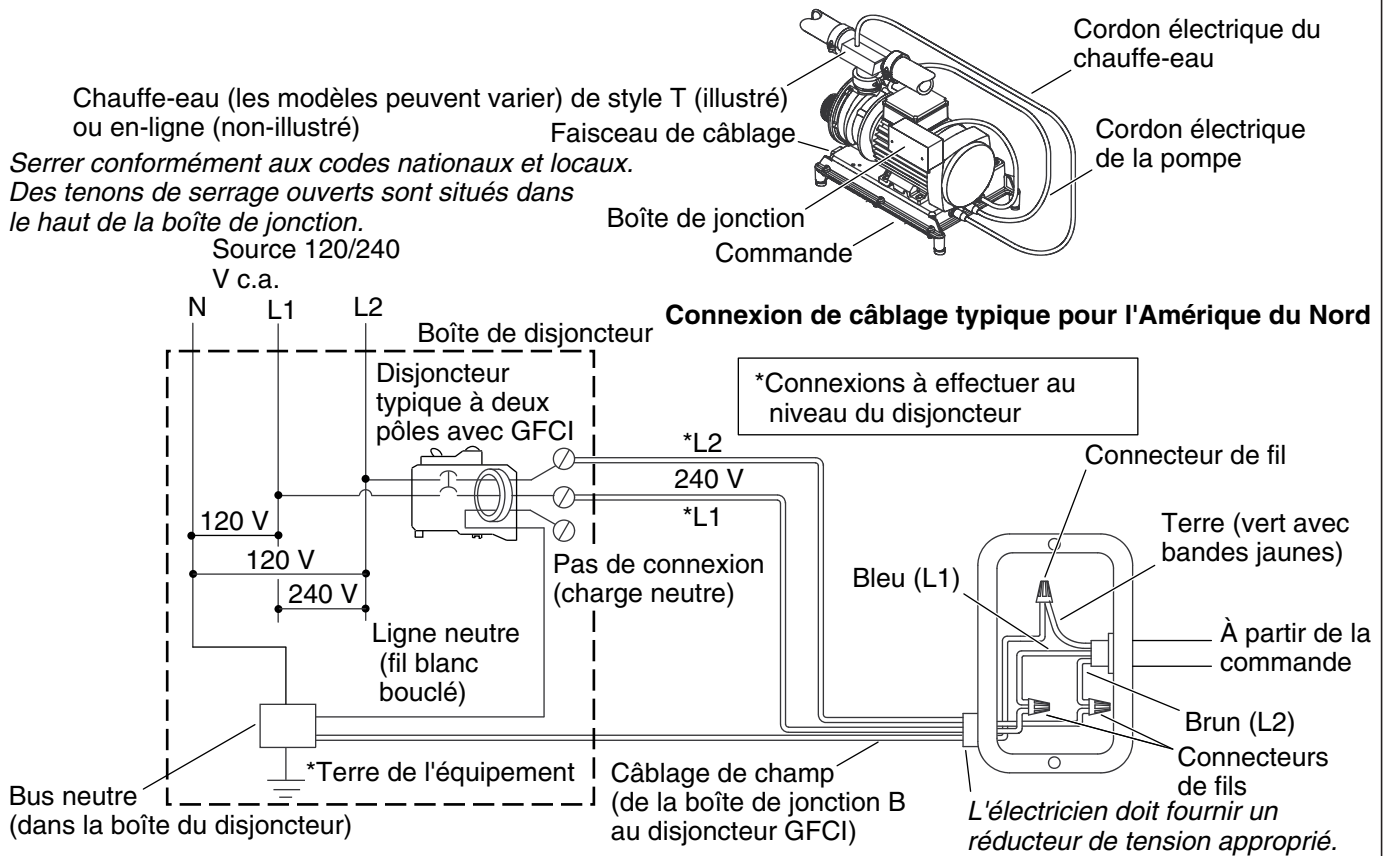
**IMPORTANT!** Choisir un bec de remplissage qui offrira un espace d'air adéquat au-dessus du rebord du bassin de la baignoire à déversement. Le matériau de la plateforme peut être construit de manière à obtenir un espace d'air adéquat parce que le rebord extérieur pourrait être plus bas que le rebord du bassin de la baignoire. D'autre part, si on prévoit d'installer une douchette montée sur plateforme, l'inverseur du casse-vide doit maintenir une coupure anti-retour de 1 po (25 mm) minimum au-dessus du rebord extérieur.

**REMARQUE:** Un panneau d'accès permet de simplifier les entretiens futurs.

- Si cela n'a pas encore été effectué, raccorder le drain au siphon conformément aux instructions du fabricant du drain.

### **Installer la plomberie (cont.)**

- Installer la vanne du robinet selon les instructions du fabricant du robinet. Ne pas installer la garniture du robinet avant d'en recevoir l'instruction.
- S'assurer que toutes les vannes à papillon et tous les raccords d'alimentation sont bien serrés.
- Ouvrir les alimentation en eau chaude et froide et vérifier l'étanchéité des raccords d'alimentation.
- Faire couler l'eau dans le bassin de la baignoire et vérifier l'étanchéité des raccords du drain.



## 8. Effectuer les connexions électriques

**REMARQUE:** Le numéro de modèle du produit est imprimé sur une étiquette placée du côté pompe de la baignoire à hydromassage. Cette étiquette identifie également les caractéristiques électriques du produit. **Toutes les baignoires à hydromassage sont équipées d'une boîte de jonction de câblage et sont conçues pour fonctionner entre 220 V et 240 V, à 50 HZ ou 60 Hz.**



**AVERTISSEMENT: Risque de choc électrique.** S'assurer que l'alimentation électrique a été débranchée avant d'effectuer les procédures suivantes. Se référer à la section "Renseignements importants".



**AVERTISSEMENT: Risque de choc électrique.** Pour réduire le risque de choc électrique, raccorder la pompe à un disjoncteur de fuite de terre (GFCI) correctement mis à la terre. Cela fournira une mesure de protection supplémentaire contre le risque d'électrocution de tension phase-terre. Un circuit dédié de 220 à 240 V, 20 A, 50/60 Hz est nécessaire.

**IMPORTANT!** La **charge neutre** n'est pas utilisée. Il ne devrait pas y avoir de connexion à la borne de **charge neutre** sur le disjoncteur de fuite de terre (GFCI). Le fil vert avec la bande jaune est la **terre de l'équipement** et doit être connecté sur le bus neutre dans la boîte du disjoncteur principal.

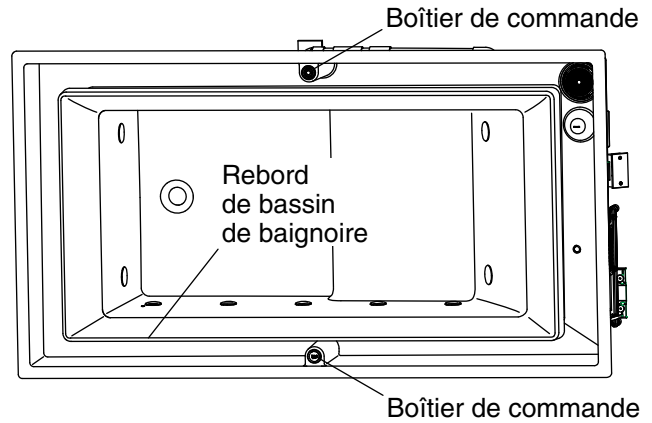
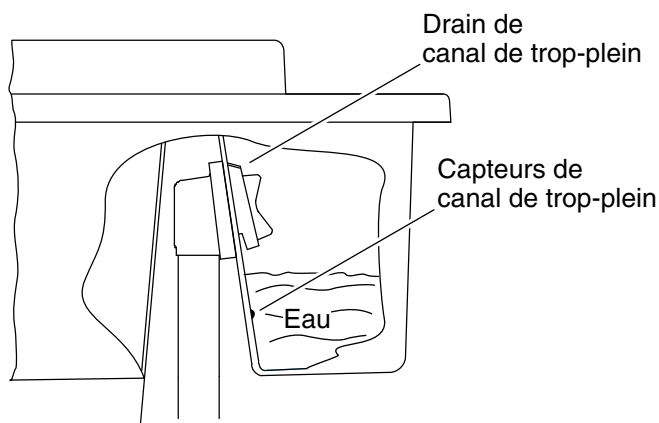
- La commande de la baignoire à hydromassage et le système ont été pré-câblés en usine. Un électricien qualifié doit faire le branchement de routine à la boîte de jonction.
- Effectuer le branchement sur la boîte de jonction. La boîte de jonction contient des fils de couleur bleue, brune et verte à rayure jaune.
- Respecter tous les codes électriques locaux. Relier conformément aux codes nationaux et locaux.
- Un faisceau de câblage a été précâblé en usine et permet la communication entre le clavier, toutes les fonctionnalités, et la commande. Aucun câblage supplémentaire n'est nécessaire, mais s'assurer que tous les fils sont bien sécurisés.



### **Effectuer les connexions électriques (cont.)**

**REMARQUE:** Le faisceau de câblage comprend une antenne pour la télécommande optionnelle. Ne pas modifier ni endommager cette antenne pendant l'installation.

\*Hors de l'Amérique du Nord, ce dispositif peut être connu sous le nom de dispositif à courant résiduel (RCD).



## 9. Effectuer un essai de fonctionnement de la baignoire à déversement

- Inspecter toutes les connexions électriques, et s'assurer que l'alimentation électrique vers l'unité est en marche.
- S'assurer que les raccords à la pompe, aux vannes à papillon et au chauffe-eau en ligne sont bien serrés à la main. S'assurer que le bassin de la baignoire et le canal de trop-plein sont propres et exempts de débris.
- Positionner la crépine d'aspiration en métal sur le couvercle d'aspiration en plastique. La pompe pourrait subir une cavitation si la crépine en métal n'est pas en place.
- Remplir le bassin de la baignoire à déversement avec de l'eau de manière à ce que l'eau déborde et s'écoule dans le canal de trop-plein. Continuer à remplir le bassin de la baignoire jusqu'à ce que les deux capteurs du canal de trop-plein soient entièrement recouverts d'eau et que le niveau d'eau se trouve au niveau du trop-plein du drain.
- Vérifier que la lampe verte de l'interrupteur de commande de la pompe commence à clignoter automatiquement dans un délai de 1/2 minute après l'immersion complète des capteurs du canal de trop-plein.

## 10. Essai de fonctionnement de l'interrupteur de commande

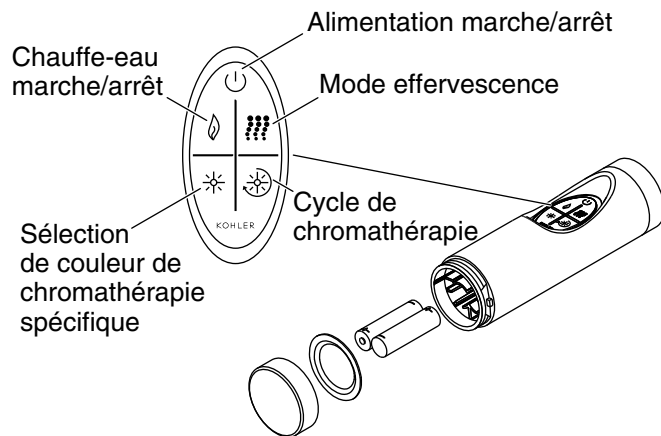
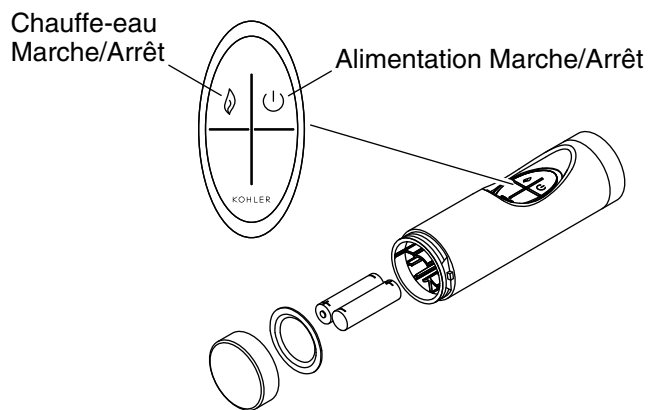
- Appuyer sur l'interrupteur de commande de la pompe pour démarrer la pompe/le moteur et commencer le cycle d'hydrothérapie. Quand le moteur/la pompe se met en marche et l'eau commence à couler, le voyant s'allume en vert solide et reste allumé tant que la baignoire à déversement fonctionne.
- Alors que l'unité est en marche, inspecter toutes les connexions de faisceau (tuyauterie) pour détecter des fuites éventuelles. Observer le débit d'eau en cascade sur le rebord du bassin de la baignoire pour vérifier qu'il est lisse et uniforme le long des quatre côtés et coins.
- Si l'eau coule en cascade de manière uniforme sur les quatre côtés du rebord du bassin de la baignoire, aucun ajustement supplémentaire ne sera nécessaire.
- Si un nivellement supplémentaire est nécessaire, continuer à faire fonctionner la baignoire à déversement et tourner les pieds réglables vers de haut ou le bas avec la clé de 7/8 po fournie. S'assurer que l'unité repose sur les quatre pieds réglables.
- Vérifier que les lampes de chromothérapie (s'il y a lieu) fonctionnent. Appuyer sur l'interrupteur de commande de chromothérapie (situé directement en face de l'interrupteur d'alimentation) pour allumer les lampes. Lors du démarrage, les lampes doivent passer par la séquence de couleurs. Appuyer une deuxième fois sur l'interrupteur de commande de lampes. Les lampes doivent s'arrêter de passer par la séquence et rester allumées en une seule couleur. Appuyer de nouveau sur l'interrupteur de commande de lampes et les lampes seront désactivées.

### **Essai de fonctionnement de l'interrupteur de commande (cont.)**

- Vérifier les connexions du faisceau pour rechercher une nouvelle fois la présence de fuites éventuelles.
- Appuyer de nouveau sur l'interrupteur de commande de la pompe pour arrêter la baignoire. Le voyant vert de l'interrupteur de commande de la pompe commence alors à clignoter automatiquement (au bout de 1/2 minute environ) jusqu'à ce que la baignoire à déversement soit entièrement vide ou redémarrée.

**REMARQUE:** Pour des renseignements supplémentaires sur le fonctionnement de la baignoire, consulter la section « Utiliser la baignoire ».

**IMPORTANT!** Laisser un accès adéquat pour chacun des quatre pieds réglables jusqu'à ce que l'essai de fonctionnement soit terminé.



## 11. Essai de fonctionnement de la télécommande

**REMARQUE:** Deux types de télécommandes sont disponibles : une unité de base et une unité dotée de commandes pour la chromathérapie et l'effervescence. Déterminer de quelle unité il s'agit et suivre le mode d'emploi correspondant.

**REMARQUE:** La télécommande utilise deux piles AAA. Pour les installer ou les remplacer, dévisser simplement la base de la télécommande.

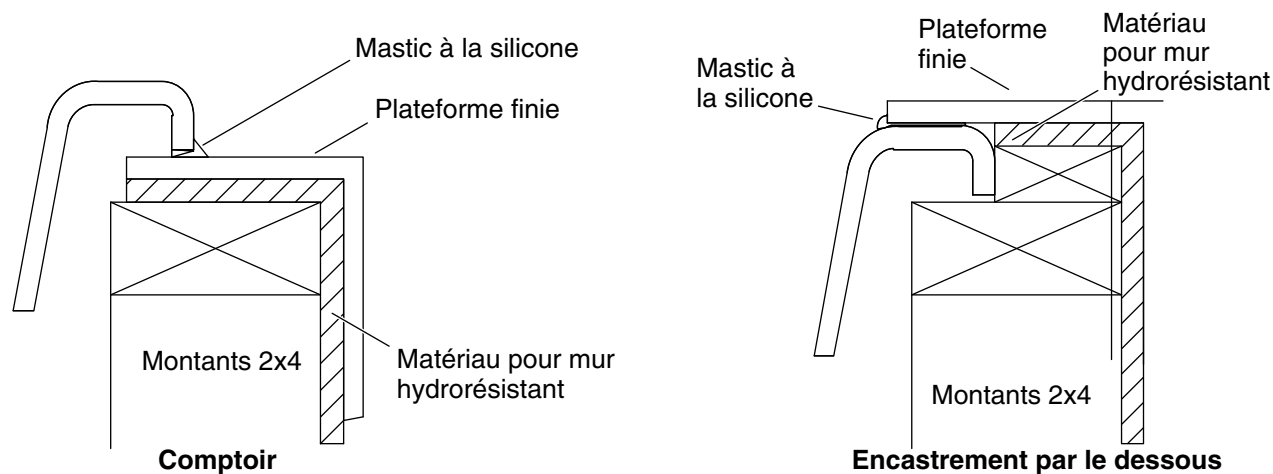
La baignoire à déversement est munie d'une télécommande étanche à l'eau.

Pour mettre la pompe et les lampes de chromathérapie en marche et les arrêter, appuyer sur le bouton Marche/Arrêt.

Pour réchauffer l'eau qui circule dans la baignoire à déversement, mettre le chauffe-eau en marche en appuyant sur l'icône du chauffe-eau (le chauffe-eau se met sur « Marche » par défaut lorsque la pompe est mise en marche). Appuyer de nouveau sur l'icône du chauffe-eau pour arrêter le chauffe-eau. Le chauffe-eau ne fonctionnera pas si la pompe est arrêtée. Si le chauffe-eau est en marche, l'interrupteur de la pompe sera vert foncé. Si le chauffe-eau est éteint, il sera jaune-vert.

Pour faire passer les lampes de chromathérapie par le cycle du spectre des couleurs, appuyer sur l'icône du cycle de chromathérapie.

Pour verrouiller un couleur individuelle de chromathérapie, appuyer sur l'icône de la couleur de chromathérapie spécifique.



## 12. Terminer le mur ou la plateforme finis

**AVIS:** Fournir un accès libre à la pompe, au chauffe-eau en ligne, aux pieds réglables, et au boîtier de commande. Un panneau d'accès doit être construit pour fournir un dégagement suffisant pour l'entretien de la pompe, du chauffe-eau en ligne, et du boîtier de commande.

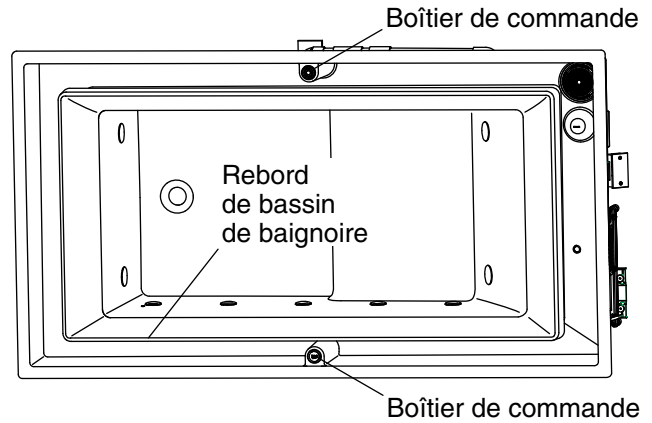
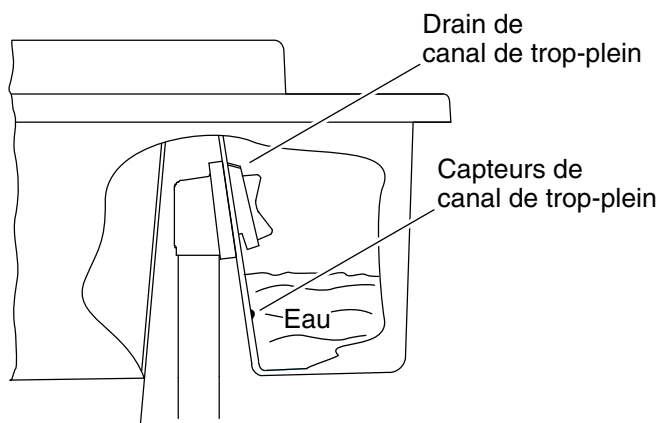
- Protéger la surface du produit. Recouvrir la charpente avec un matériau hydrorésistant pour mur.
- Maintenir toute la zone du canal de trop-plein exposée afin de permettre un accès au trop-plein du drain, et un nettoyage facile des surfaces du canal de trop-plein.
- Sceller les joints entre le rebord de la garniture et le matériau hydrorésistant pour mur ou plateforme avec du mastic d'étanchéité à la silicone.
- Poser du ruban et enduire le matériau hydrorésistant pour mur.
- Installer le mur fini sur le matériau hydrorésistant pour mur.
- Sceller les joints entre le rebord du produit et le matériau du mur fini avec du mastic à la silicone.

## 13. Installer la garniture de robinet

- Installer la garniture du robinet en suivant les instructions accompagnant celle-ci.

## 14. Nettoyer après l'installation

- Lors du nettoyage après l'installation, **ne pas utiliser de nettoyeurs abrasifs**, vu que ceux-ci risqueraient de rayer et d'abîmer la surface de la baignoire. Utiliser de l'eau chaude et un détergent liquide pour nettoyer la surface.
- Éliminer les taches résistantes, la peinture, ou le goudron avec de l'essence de térébenthine ou un diluant pour peinture. **Ne pas laisser de nettoyeurs à base de distillats de pétrole rester en contact avec des surfaces quelconques de la baignoire pendant de longues périodes.** Retirer le plâtre en raclant avec précaution avec une lame en bois. Ne pas utiliser des grattoirs en métal, des brosses métalliques ou d'autres outils en métal. Utiliser un détergent en poudre sur un chiffon humide pour fournir une action abrasive légère sur les résidus de plâtre.



## 15. Utiliser la baignoire

### Remplir la baignoire à déversement

**REMARQUE:** Lire ces étapes avec attention avant de faire fonctionner la baignoire.

- S'assurer que la crépine d'aspiration en métal est propre et qu'elle est placée correctement sur le couvercle d'aspiration en plastique.

**REMARQUE:** La température de l'eau de la baignoire ne doit pas dépasser 104°F (40°C); le chauffe-eau ne fonctionnerait pas sinon.

**IMPORTANT!** Comme pour toute autre baignoire, éviter de faire déborder l'eau autour de l'unité en entrant dans le bassin de la baignoire rempli très lentement. Cela permettra au système d'évacuer correctement tout excès d'eau.

- Remplir l'unité avec de l'eau de manière à ce que le bassin de la baignoire déborde dans le canal de trop-plein jusqu'au drain. Les capteurs du canal doivent être entièrement recouverts avec de l'eau.
- Le voyant vert de l'interrupteur de commande de la pompe commence à clignoter automatiquement 1/2 minute après l'immersion complète des capteurs pour indiquer que l'unité est prête à démarrer.

### Séquence de fonctionnement

- Appuyer sur l'interrupteur de commande de la pompe pour mettre la pompe/le moteur en marche et démarrer le dispositif.
- Quand le moteur/la pompe se met en marche et l'eau commence à couler, le voyant de l'interrupteur de commande de la pompe s'allume en vert solide et reste allumé tant que la baignoire à déversement fonctionne.
- Vérifier que le voyant pour le chauffe-eau est allumé lorsque la baignoire à déversement fonctionne. Ce voyant se trouve sur le dessous du boîtier du chauffe-eau, et près du sous-plancher à l'extrémité pompe de la baignoire à déversement. Si le voyant n'est pas allumé lorsque la baignoire à déversement fonctionne, réinitialiser le dispositif GFCI.
- Appuyer sur l'interrupteur de commande de la pompe une deuxième fois pour arrêter la baignoire à déversement. Le voyant vert de l'interrupteur de commande de la pompe commence alors à clignoter automatiquement pendant 1/2 minute environ jusqu'à ce que la baignoire à déversement soit entièrement vidée sous le niveau des capteurs du canal de trop-plein ou qu'elle soit redémarrée.

**REMARQUE:** Un minuteur intégré arrête automatiquement la baignoire au bout de 20 minutes de fonctionnement environ.

## Utiliser la baignoire (cont.)

- Appuyer de nouveau sur l'interrupteur de commande de la pompe pour démarrer la pompe/le moteur et démarrer le dispositif.
- Appuyer sur l'interrupteur de commande « Marche/Arrêt » pour mettre la pompe/le moteur en marche et démarrer le dispositif.
- Un voyant orange dans l'interrupteur de commande « Marche/Arrêt » s'allume de manière temporaire pour indiquer le démarrage du mode de fonctionnement.
- Quand le moteur/la pompe se met en marche et l'eau commence à couler, le voyant change en vert solide et restera allumé tant que la baignoire à déversement fonctionne.
- Vérifier que le voyant pour le chauffe-eau est allumé lorsque la baignoire à déversement fonctionne. Ce voyant se trouve sur le dessous du boîtier du chauffe-eau, et près du sous-plancher à l'extrémité pompe de la baignoire à déversement. Si le voyant n'est pas allumé lorsque la baignoire à déversement fonctionne, appuyer sur le bouton de réinitialisation se trouvant à droite du voyant sur le boîtier du chauffe-eau.
- Appuyer de nouveau sur l'interrupteur de commande « Marche/Arrêt » pour arrêter la baignoire à déversement. Le voyant orange dans l'interrupteur « Marche/Arrêt » s'allume de manière temporaire pour indiquer la fin du mode de fonctionnement. Le voyant vert de l'interrupteur de commande « Marche/Arrêt » commence alors à clignoter automatiquement, jusqu'à ce que la baignoire à déversement soit vidée à un niveau inférieur aux capteurs de canaux de trop-plein, ou jusqu'au redémarrage.

**REMARQUE:** Un minuteur intégré arrête automatiquement la baignoire au bout de 20 minutes de fonctionnement environ.

## 16. Fonctionnement des lampes de chromothérapie (si présentes)

**REMARQUE:** Ce mode d'emploi est destiné à l'utilisation du boîtier de commande monté uniquement. Pour des renseignements supplémentaires, consulter la section « Essai de fonctionnement de la télécommande ».

- Si les lampes de chromothérapie sont éteintes, appuyer sur le bouton du boîtier de commande (se trouvant sur le côté opposé de la baignoire à déversement). Les lampes de chromothérapie commenceront à passer par un cycle de chaque couleur (mode balayage).
- Lorsque les lampes de chromothérapie sont en mode de balayage, il est possible de verrouiller une lampe de couleur en appuyant sur le bouton de commande.
- Lorsqu'une couleur individuelle est verrouillée, appuyer sur le bouton de commande pour éteindre les lampes de chromothérapie.

## Procédures de dépannage

Pour une réparation sous garantie, s'adresser au concessionnaire ou au distributeur en gros. Ce guide de dépannage est seulement destiné à fournir une aide d'ordre général. S'adresser à un technicien agréé de Kohler ou à un électricien qualifié pour résoudre tous les problèmes électriques. Pour une réparation sous garantie, s'adresser au concessionnaire ou au distributeur en gros.

Symptômes	Causes probables	Action recommandée
1. Le voyant vert de l'interrupteur de commande « Marche/Arrêt » clignote avant que le bassin de la baignoire soit plein d'eau.	A. Le bec verse l'eau directement dans le canal de trop-plein.	A. Régler/réinstaller le bec pour remplir directement dans le bassin de la baignoire. Consulter l'installateur/le concessionnaire.

## Procédures de dépannage (cont.)

Symptômes	Causes probables	Action recommandée
	<p><b>B.</b> Une ou les deux valves à papillon ne fonctionnent pas.</p> <p><b>C.</b> La commande ne fonctionne pas.</p>	<p><b>B.</b> Inspecter le câblage des valves à papillon ou remplacer celles-ci. Consulter l'installateur/le concessionnaire.</p> <p><b>C.</b> Inspecter le câblage ou remplacer la commande. Consulter l'installateur/le concessionnaire.</p>
<p><b>2.</b> Le produit ne démarre pas.</p>	<p><b>A.</b> Aucune alimentation électrique vers l'unité.</p> <p><b>B.</b> L'eau ne couvre pas les capteurs du canal de trop-plein.</p> <p><b>C.</b> Le voyant de l'interrupteur de commande « Marche/Arrêt » ne s'allume pas et ne clignote pas quand l'unité est en marche ou remplie comme requis.</p> <p><b>D.</b> La pompe/le moteur ne fonctionne pas.</p> <p><b>E.</b> La commande ne fonctionne pas.</p>	<p><b>A.</b> Mettre l'unité sous alimentation électrique, ou corriger la source de la perte de courant. Consulter l'installateur/le concessionnaire.</p> <p><b>B.</b> Remplir le bassin de la baignoire jusqu'à ce que l'eau s'écoule par dessus le rebord du bassin de la baignoire dans le canal de trop-plein, et qu'elle submerge les capteurs du canal de trop-plein. Le niveau de remplissage conseillé est jusqu'au trop-plein du drain.</p> <p><b>C.</b> Inspecter le câblage ou remplacer l'interrupteur de commande « Marche/Arrêt ». Consulter l'installateur/le concessionnaire.</p> <p><b>D.</b> Reconstruire ou remplacer la pompe/le moteur. Consulter l'installateur/le concessionnaire.</p> <p><b>E.</b> Inspecter le câblage ou remplacer la commande. Consulter l'installateur/le concessionnaire.</p>
<p><b>3.</b> L'eau ne tombe pas en cascade de manière uniforme sur tout le rebord du bassin de la baignoire.</p>	<p><b>A.</b> L'unité n'est pas de niveau.</p> <p><b>B.</b> Les orifices du bassin de la baignoire sont obstrués.</p> <p><b>C.</b> La crépine d'aspiration en métal est bloquée.</p>	<p><b>A.</b> Mettre l'unité de niveau en utilisant la clé fournie pour tourner les pieds réglables vers le haut ou le bas au besoin.</p> <p><b>B.</b> Retirer l'obstruction.</p> <p><b>C.</b> Nettoyer la crépine d'aspiration en métal.</p>
<p><b>4.</b> L'unité s'arrête automatiquement avant 18 minutes.</p>	<p><b>A.</b> Le dispositif GFCI se déclenche.</p> <p><b>B.</b> Moteur surchauffé et dispositif de protection activé.</p>	<p><b>A.</b> Identifier la source du problème et rectifier. Consulter l'installateur/le concessionnaire.</p> <p><b>B.</b> Rechercher une obstruction de l'évent du moteur. Laisser refroidir le moteur, puis éliminer l'obstruction. Rechercher si la crépine d'aspiration métallique est obstruée, puis laisser le moteur refroidir avant de redémarrer. Rechercher une obstruction des orifices du bassin de la baignoire. Éliminer l'obstruction, puis laisser refroidir le moteur avant de le relancer.</p>



## Procédures de dépannage (cont.)

Symptômes	Causes probables	Action recommandée
	C. Le niveau d'eau descend au dessous des capteurs du canal de trop-plein pendant le fonctionnement (l'anneau « jaune » clignote sur l'interrupteur de la pompe).	C. Remplir le bassin de la baignoire jusqu'à ce que l'eau s'écoule par dessus le rebord du bassin de la baignoire dans le canal de trop-plein, et qu'elle submerge les capteurs du canal de trop-plein. Le niveau de remplissage conseillé est jusqu'au trop-plein du drain. S'assurer que le drain de la baignoire soit bien étanche.
5. Fonctionnement bruyant.	A. La crépine d'aspiration en métal n'est pas en place sur le couvercle d'aspiration en plastique.  B. Le niveau d'eau est insuffisant dans le canal de trop-plein.  C. La pompe/le moteur font un bruit de cliquetis.	A. Positionner la crépine d'aspiration en métal sur le couvercle d'aspiration en plastique pour éviter une cavitation.  B. Remplir le bassin de la baignoire jusqu'à ce que l'eau s'écoule par dessus le rebord du bassin de la baignoire dans le canal de trop-plein, et qu'elle submerge les capteurs du canal de trop-plein. Le niveau de remplissage conseillé est jusqu'au trop-plein du drain. S'assurer que le drain de la baignoire soit bien étanche.  C. S'assurer que les sangles de retenue de la pompe/du moteur ont été coupées.
6. La température de l'eau baisse considérablement au cours de 20 minutes de fonctionnement.	A. L'interrupteur de fin de course du chauffe-eau s'est déclenché. Le voyant devrait être allumé pendant le fonctionnement. B. Le chauffe-eau ne fonctionne pas.	A. Réinitialiser le dispositif GFCI/ELCB.  B. Inspecter le câblage ou remplacer le chauffe-eau. Consulter l'installateur/le concessionnaire.
7. Les lampes de chromathérapie ne fonctionnent pas.	A. Faisceau de câblage électrique endommagé.  B. La commande ne fonctionne pas.	A. Inspecter le câblage ou remplacer la commande. Consulter l'installateur/le concessionnaire.  B. Remplacer le faisceau de câblage. Consulter l'installateur/le concessionnaire.
8. La télécommande ne fonctionne pas.	A. Les piles sont mal installées ou mortes. B. La commande ne fonctionne pas.  C. La télécommande n'est pas programmée correctement. D. La télécommande ne fonctionne pas. E. L'interrupteur de commande ne fonctionne pas.	A. Remplacer les piles.  B. Remplacer le faisceau de câblage. Consulter l'installateur/le concessionnaire.  C. Consulter le guide du propriétaire ou le manuel d'entretien. D. Remplacer la télécommande.  E. Remplacer la commande.
9. L'eau n'atteint pas le rebord de la baignoire lors du remplissage.	A. L'unité n'est pas sous alimentation électrique.	A. Mettre l'alimentation électrique en marche.

**Procédures de dépannage (cont.)**

<b>Symptômes</b>	<b>Causes probables</b>	<b>Action recommandée</b>
	<ul style="list-style-type: none"><li><b>B.</b> Fils de sonde desserrés.</li><li><b>C.</b> Les vannes à papillon ne fonctionnent pas.</li><li><b>D.</b> L'interrupteur de commande ne fonctionne pas.</li></ul>	<ul style="list-style-type: none"><li><b>B.</b> Inspecter/reconnecter les fils.</li><li><b>C.</b> Inspecter le câblage; remplacer les vannes à papillon au besoin.</li><li><b>D.</b> Remplacer la commande.</li></ul>

# Guía de instalación

## Bañera rebosante

### Información importante



**ADVERTENCIA:** Al usar aparatos eléctricos siempre cumpla las precauciones básicas, como las siguientes:



**PELIGRO: Riesgo de lesiones personales o ahogamiento.** Este aparato no está diseñado para ser usado por personas con habilidades físicas, sensoriales o mentales disminuidas, o con falta de experiencia y conocimientos. Los niños deben ser supervisados para asegurar que no jueguen con este aparato.



**ADVERTENCIA: Riesgo de sacudidas eléctricas.** Solamente conecte a un circuito protegido por un interruptor de circuito con pérdida a tierra (GFCI)\*.



**ADVERTENCIA: Riesgo de sacudidas eléctricas.** Un electricista capacitado debe hacer todas las conexiones eléctricas.



**ADVERTENCIA: Riesgo de sacudidas eléctricas.** Desconecte el suministro eléctrico antes de dar servicio.



**ADVERTENCIA: Riesgo de lesiones personales.** Las piezas con corriente eléctrica, excepto las que se suministran con voltaje muy bajo que no exceda 12 V, deben quedar inaccesibles a la persona en la bañera de hidromasaje.



**ADVERTENCIA: Riesgo de lesiones personales o de daños a la propiedad.** Antes de comenzar la instalación, lea atentamente todas las instrucciones además de los requisitos detallados a continuación.

**AVISO: Cumpla todos los códigos locales de electricidad y de plomería.**

Instale de manera que quede acceso para dar servicio.

Se incluye un cable conductor verde con una raya amarilla dentro del compartimiento de cableado. Para reducir el riesgo de que ocurra una sacudida eléctrica, conecte este cable al terminal de tierra de su tablero eléctrico o de su panel de suministro eléctrico con un cable de cobre del tamaño equivalente al conductor del circuito que alimenta este equipo.

En el exterior de la bomba o del control de esta unidad se incluye un conector a presión para permitir la conexión de un conductor equipotencial entre esta unidad y todo el metal expuesto en las proximidades, tal y como lo requieran las normas locales.

**Se requiere conexión a tierra.** Un representante autorizado de servicio debe instalar esta unidad y conectarla a tierra.

El material de construcción y el cableado se deben colocar lejos del cuerpo de la bomba y de otros componentes que producen calor.

\*Fuera de Estados Unidos es posible que este dispositivo se conozca como dispositivo de corriente residual (RCD).

## Información importante (cont.)

### Importante información del producto

#### Avisos sobre el producto



**ADVERTENCIA:** Las modificaciones no autorizadas pueden causar funcionamiento peligroso y bajo rendimiento de la bañera. No cambie la ubicación de la bomba ni haga otras modificaciones al sistema de circulación, ya que esto podría tener un efecto adverso en el rendimiento y en el funcionamiento seguro de su bañera. Kohler Co. no será responsable bajo su garantía, o de ninguna otra forma, de lesiones personales o daños provocados por modificaciones no autorizadas.

#### Inspección de producto

Desempaque con cuidado el producto y verifique que la unidad no esté dañada. Vuelva a colocar la unidad dentro de su caja durante la construcción para evitar dañarla.

#### Características ensambladas de fábrica

Entre los componentes instalados de fábrica están la bomba, los sensores de nivel, el calentador en línea, las luces sumergidas de cromoterapia (opcionales), el control y el interruptor. La bomba y las tuberías están ensambladas en fábrica.

#### Acceso de servicio y a las conexiones

**AVISO:** Deje acceso sin restricciones para dar servicio a la bomba y al calentador. Deje acceso sin restricciones para dar servicio a la bomba, al calentador en línea, a las patas ajustables y a la caja de control. Se debe construir un panel de acceso para dejar espacio suficiente para dar servicio a la bomba, al calentador en línea y a la caja de control. El panel de acceso se debe ubicar inmediatamente junto a la bomba y al calentador en línea. Revise la información de instalación.

#### Requisitos eléctricos

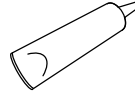
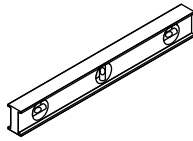
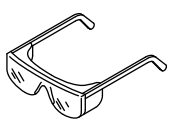
La instalación debe contar con dos interruptores de circuito con pérdida a tierra (GFCI) Clase A. El interruptor GFCI protege contra el peligro de sacudida eléctrica de línea a tierra. Utilice un servicio dedicado de 208-240 V, 20 A, 50/60 Hz para los controles de la bomba. Utilice un servicio dedicado de 208-240 V, 20 A, 50/60 Hz por separado para el calentador.

El compartimiento de cables tiene un terminal de conexión a tierra para el equipo. Para reducir el riesgo de sacudidas eléctricas, este terminal se debe conectar a la conexión a tierra provista en el panel de suministro eléctrico con un conductor del tamaño equivalente al de los conductores del circuito que alimentan este equipo.

Instale la unidad conforme al Código Eléctrico Canadiense, Parte I.

\*Fuera de Estados Unidos es posible que este dispositivo se conozca como dispositivo de corriente residual (RCD).

## Herramientas y materiales



Nivel de 4' (1,2 m)

Sellador de silicona

### Más:

- Herramientas y materiales comunes de carpintería
- Lona
- Maderos de 2x4 o de 2x6

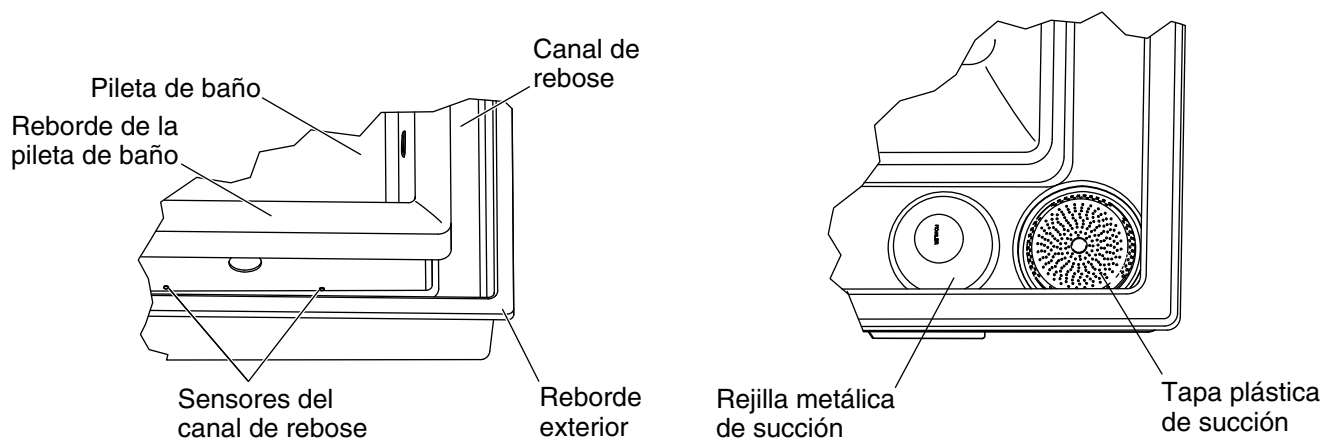
## Introducción

Lea estas instrucciones con cuidado para familiarizarse con las herramientas requeridas, los materiales y las secuencias de instalación. Siga las secciones que correspondan a su instalación en particular. Esto le ayudará a evitar errores costosos. Además de hacer la instalación adecuada, lea todas las instrucciones de seguridad y de operación.

Toda la información que aparece en este manual está basada en la información más reciente disponible al momento de publicación. En Kohler Co. nos esforzamos constantemente en mejorar la calidad de nuestros productos; y por eso nos reservamos el derecho a hacer cambios en las características de los productos, en los empaques y en la disponibilidad, en cualquier momento y sin aviso.

## Antes de comenzar

- Su bañera ha sido diseñada para instalaciones de montaje en cubierta, de montaje por abajo, o encajonada entre 3 paredes.
- Es necesario instalar la bañera sobre un subpiso nivelado y con suficiente soporte.
- Provea una estructura de postes de madera con las dimensiones correctas.
- escoja un surtidor de llenado con alcance adecuado y con espacio libre mínimo de 2" (51 mm) sobre el reborde de la pileta de baño de la bañera rebosante. Es posible que sea necesario elevar el material de la cubierta para dejar suficiente espacio libre, ya que es posible que el reborde exterior sea más bajo que el reborde de la pileta de baño de acuerdo al área específica de la bañera.
- Cumpla todos los códigos locales de plomería.
- La bañera debe ser llenada con agua directamente a la pileta de baño, no al canal de rebose.
- Si planea instalar una ducha de mano de montaje en cubierta, la válvula vacuorreguladora del desviador debe mantener un espacio libre mínimo de 1" (25 mm) sobre el reborde de la bañera.
- Al usar el surtidor laminar de bañera K-922 o K-923 con la bandeja de goteo K-924, la distancia de la pared acabada a la pared exterior del canal de rebose no debe exceder 2" (51 mm).
- Kohler Co. se reserva el derecho de modificar el diseño de productos sin previo aviso, tal como se especifica en la lista de precios.



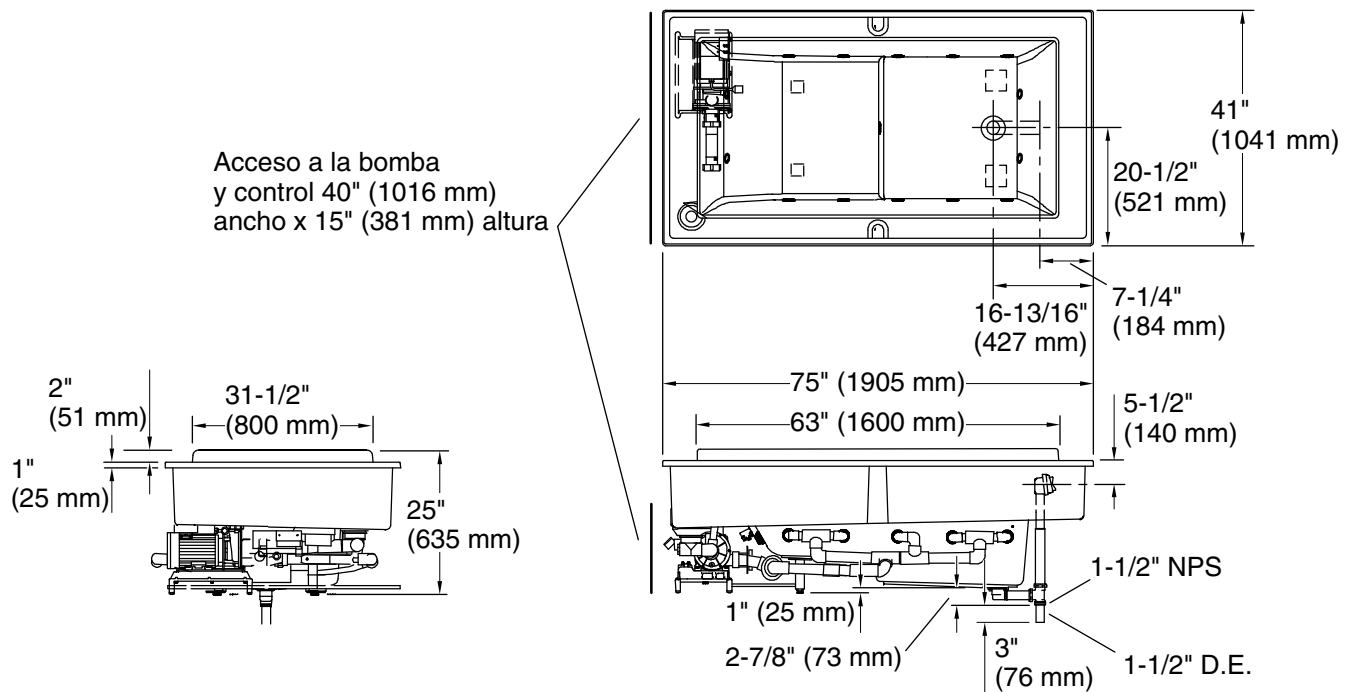
## Lista de términos

- **Pileta de baño** - Parte profunda de la bañera rebosante que usa quien toma un baño.
- **Reborde de la pileta de baño** - El reborde alto entre la pileta de baño y el canal de rebose. El agua caerá en cascada de manera uniforme sobre el reborde de la pileta de baño y dentro del canal de rebose.
- **Cavitación** - Cuando entra aire en la bomba en vez de agua, al punto en que afecta o detiene la habilidad de la bomba a hacer circular el agua.
- **Cuadro de control de cromoterapia** - Enciende y apaga las luces de cromoterapia (si están equipadas).
- **Luces de cromoterapia** - Luces en la pileta de baño (si están equipadas) para mejorar su experiencia.
- **Calentador** - Diseñado para ayudar a mantener automáticamente la temperatura del agua hasta 104°F (40°C) para mejorar su experiencia de hidromasaje. El calentador se enciende automáticamente cuando la bañera de hidromasaje está funcionando, y se apaga cuando se apaga el motor de la bomba.
- **Control maestro** - Esta unidad está abajo de la bomba. Es el "cerebro" del sistema, e interpreta todas las señales de entrada y de salida.
- **Rejilla metálica de succión** - La rejilla metálica desmontable que está sobre la tapa plástica de succión en el canal de rebose. La rejilla de succión siempre debe estar limpia y en su lugar cuando la bañera rebosante esté funcionando para evitar que entren desperdicios al puerto de entrada de agua y evitar así la cavitación y el mal funcionamiento.
- **Reborde exterior** - El reborde a lo largo del exterior del canal de rebose.
- **Canal de rebose** - Canal de recolección de agua de rebose que rodea la pileta de baño. El canal de rebose colecta el agua que se desborda del reborde de la pileta de baño durante el funcionamiento normal, y dirige el agua de nuevo al sistema de bombeo para hacerla recircular.
- **Sensores del canal de rebose** - Dos sondas de metal en la pared del canal de rebose abajo de la campana del rebosadero de desagüe. Estos sensores evitan que se active la bomba si hay agua insuficiente, y apagan la bomba automáticamente si el nivel del agua queda abajo de ellos. La bomba solo funciona cuando estos dos sensores están sumergidos por completo.
- **Interruptor de control de la bomba** - Enciende y apaga la bomba.
- **Tapa plástica de succión** - Guarda plástica sujeta sobre el puerto de entrada de agua, mismo que está en el canal de rebose. La tapa de succión siempre debe estar instalada cuando la unidad está en uso por la seguridad del usuario.
- **Bomba** - La bomba hace circular el agua.

## Lista de términos (cont.)

- **Arnés de cables** - El arnés de cables conecta todos los componentes periféricos (válvulas, bomba, calentador, interruptores, luces) al control maestro.

No es necesario cambiar las medidas si se conecta con el desagüe ilustrado. (K-7193 o K-7193M)  
 Abertura de 73-1/2" (1867 mm) x 39-1/2" (1003 mm)



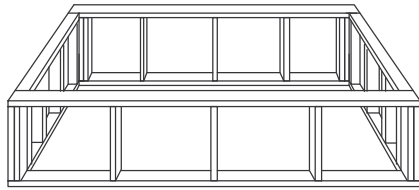
## 1. Información de diagrama de instalación

**AVISO:** El soporte del piso debajo de la bañera de hidromasaje debe poder soportar como mínimo 3500 lb (907,2 kg).

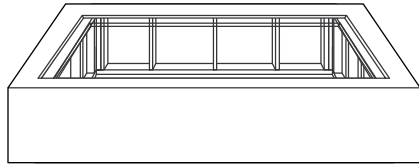
- Se requieren dos servicios eléctricos de 240 V por separado: uno para la bomba/el control, y otro para el calentador.
- Consulte los códigos locales y nacionales para obtener los requisitos mínimos de cámara de aire en caso de instalar un surtidor en la superficie plana para la grifería.
- La bañera rebosante debe llenarse por la pileta de baño.
- El suministro de agua caliente debe ser el 70 % de la capacidad o más.
- La unidad cumple la norma ANSI Z124.1. Todas las dimensiones son nominales.
- No es necesario cambiar las medidas si se conecta con el desagüe ilustrado (K-7193, K-7193M).
- Recorte = 73-1/2" (1867 mm) x 39-1/2" (1003 mm)
- Se requiere un panel de acceso. Las dimensiones recomendadas para este panel de acceso son 40" (1016 mm) de ancho x 15" (381 mm) de altura. En el diagrama de instalación consulte la ubicación sugerida para el panel de acceso.
- Asegúrese de que el piso esté en buenas condiciones para dar el soporte adecuado a su bañera.

**¡IMPORTANTE!** Verifique que el subpiso esté plano y nivelado. Esto ayuda a minimizar los ajustes de nivelación necesarios para que el producto funcione bien.

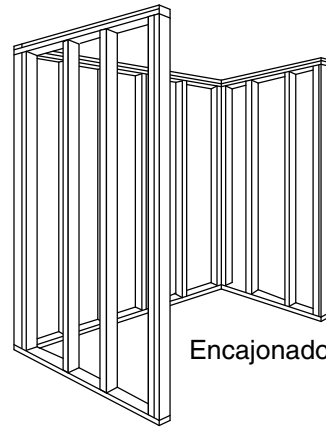




Cubierta



Montaje por abajo

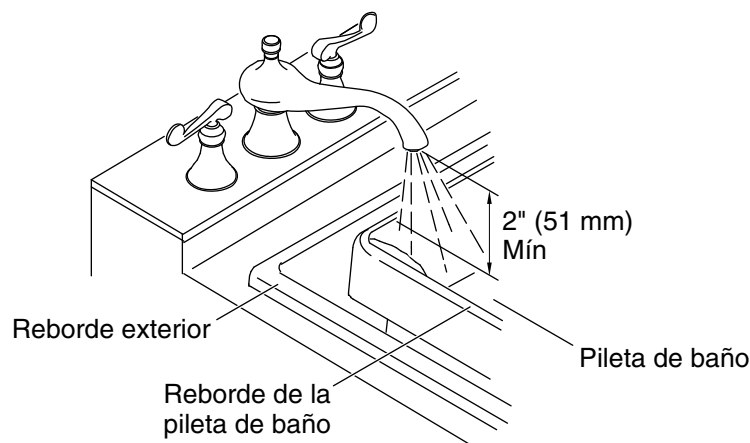


Encajonado

## 2. Construya la estructura de postes

**AVISO:** Deje acceso sin restricciones para dar servicio a la bomba, al calentador en línea, a las patas ajustables y a la caja de control. Se debe construir un panel de acceso para dejar espacio suficiente para dar servicio a la bomba, al calentador en línea y a la caja de control.

- Construya una estructura de postes de madera diseñada para su instalación en particular. La bañera rebosante se puede instalar en una cubierta, por abajo, o encajonada.
- Construya la estructura de madera de piso o para una instalación elevada, de acuerdo a la información de instalación.
- Al construir la estructura de postes, tome en cuenta el espesor de los materiales del subpiso y de la cubierta.
- El marco estructural debe hacerse con maderos de 2x4.
- En instalaciones de montaje por abajo, tome en cuenta el espesor del material de la cubierta que planea utilizar, y asegúrese de que el soporte sea adecuado.
- No apoye la bañera sobre el reborde.
- Cuando planea el marco estructural, tome en cuenta el espacio libre requerido de 2" (51 mm) entre el extremo del surtidor de llenado y a parte superior del reborde de la pileta de baño. Tome en cuenta el espesor del material de la cubierta que planea instalar, y construya la estructura y la cubierta con este espacio libre en mente.



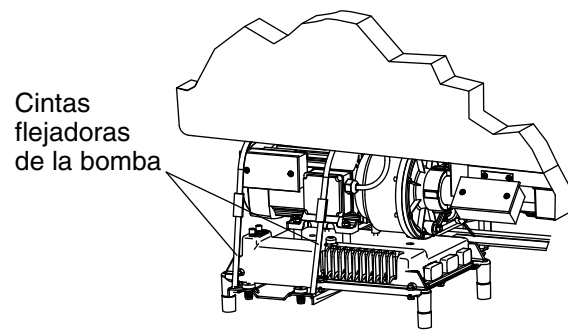
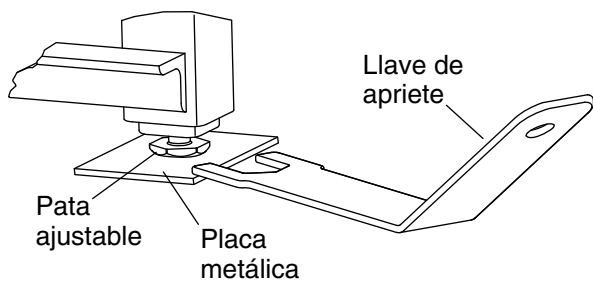
### 3. Instale el tendido de plomería

**¡IMPORTANTE!** Escoja un surtidor de llenado que deje un espacio libre mínimo de 2" (51 mm) sobre el reborde de la piletta de baño de la bañera rebosante. Además, si planea instalar una ducha de mano de montaje en cubierta, la válvula vacuorreguladora del desviador debe dejar un espacio libre mínimo de 1" (25 mm) sobre el reborde de la piletta de baño de la bañera rebosante.

- Coloque la plomería. Coloque la línea de suministro del surtidor de llenado de forma que el surtidor llegue más allá de del reborde exterior y del reborde de la piletta de baño. **El agua del surtidor de llenado debe quedar dirigida a la piletta de baño para llenar la bañera rebosante.** La bañera rebosante nunca debe ser llenada dirigiendo el agua hacia el canal de rebose.
- Tape los suministros y verifique que no haya fugas.

### 4. Prepare la unidad

- Con cuidado levante la bañera rebosante para sacarla de su caja.
- Busque la caja que está dentro del canal de rebose. Esta caja contiene la rejilla metálica de succión, y debe guardarse para usarla con este producto.
- Instale el desagüe de acuerdo a las instrucciones del fabricante del desagüe. Todavía no conecte la trampa.
- Coloque una lona gruesa y limpia o un material similar en el fondo de la bañera. Tenga cuidado de no rayar la superficie de la bañera rebosante.



## 5. Coloque la unidad

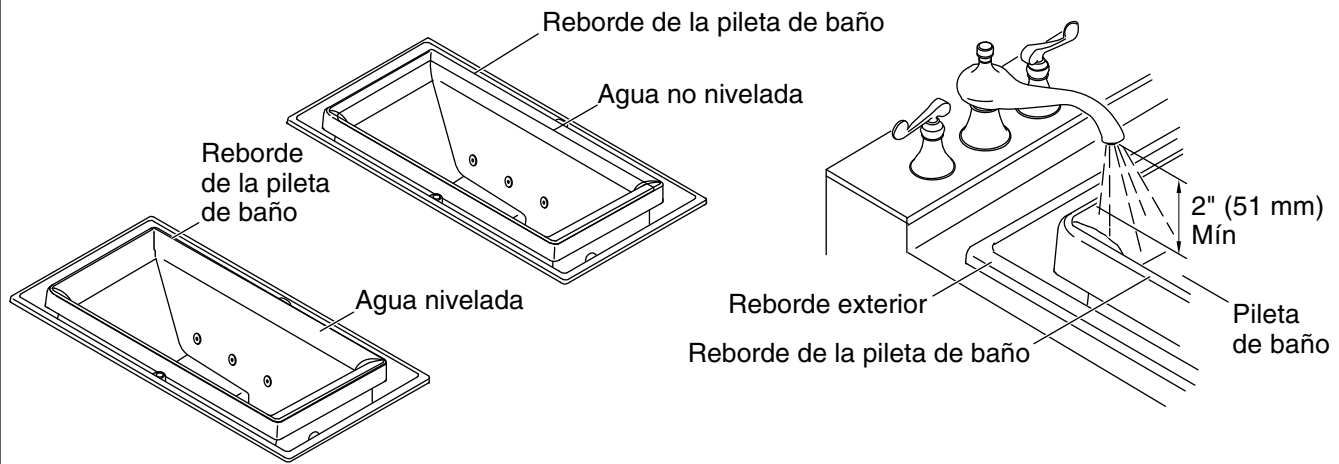
**¡IMPORTANTE! Riesgo de daños al producto.** No levante la bañera rebosante por medio de la bomba o las tuberías.

**NOTA:** No use adhesivo ni cemento o capa de mortero para fijar este producto al subpiso.

- Con ayuda, levante con cuidado la bañera rebosante a su lugar. Se recomienda usar placas de metal bajo las patas ajustables, lo que además facilitará nivelar la bañera.

**NOTA:** Si no cuenta con un nivel de 72" (1829 mm), pase a la siguiente sección.

- Nivele girando las patas ajustables hacia arriba o hacia abajo con la llave de apriete (7/8 pulg.) adjunta que se encuentra en el arnés cerca de la bomba. Asegúrese de que las 4 patas ajustables descansen directamente en el subpiso, y que el reborde de la pileta de baño quede nivelado con variaciones de menos de 1/8" (3 mm) en todas direcciones.
- Una vez que la bañera rebosante quede nivelada, ajuste la pata niveladora que está bajo la bomba. Haga girar la pata hasta que descansen directamente en el subpiso. Use un nivel exacto de 48" (1219 mm) , si cuenta con él. Si se toma su tiempo para nivelar con cuidado la bañera rebosante ahora, se mantiene a un mínimo la necesidad hacer ajustes de nivelación más adelante durante la instalación.
- Corte y deseche las dos cintas flejadoras la bomba.
- Asegúrese de que las patas aislantes de goma estén en su lugar.
- Introduzca el tubo final de desagüe en la trampa.



## 6. Nivelación de la bañera rebosante (sin un nivel)

**AVISO:** No necesita suministro eléctrico para la unidad en el siguiente procedimiento de nivelación.

- Introduzca el tubo final de desagüe en la trampa y conecte el desagüe a la trampa, de acuerdo a las instrucciones del fabricante.
- Cierre el desagüe, y tape o cubra la tapa de succión para hacerla temporalmente impermeable.
- Con una manguera llene con agua la piletta de baño hasta el reborde de la piletta de baño.
- Observe el nivel del agua (sombreado gris en la ilustración = nivel del agua) con relación al reborde de la piletta de baño.
- Si el agua cae en cascada de manera uniforme sobre todo el reborde de la bañera rebosante, no es necesario hacer ningún ajuste. La bañera rebosante está nivelada.
- Si el agua no está nivelada y solo cae en cascada en ciertas secciones del reborde, con la llave de apriete haga girar las patas ajustables hacia arriba o hacia abajo hasta que el agua quede nivelada de manera uniforme.
- Abra el desagüe, y destape la tapa de succión para que se vacíe la piletta de baño.

**¡IMPORTANTE!** Deje acceso adecuado para cada una de las cuatro patas ajustables hasta que termine de hacer las pruebas en la bañera.

## 7. Instale la plomería



**PRECAUCIÓN: Riesgo de daños a la propiedad.** Asegúrese de que las conexiones del desagüe tengan un sello impermeable.

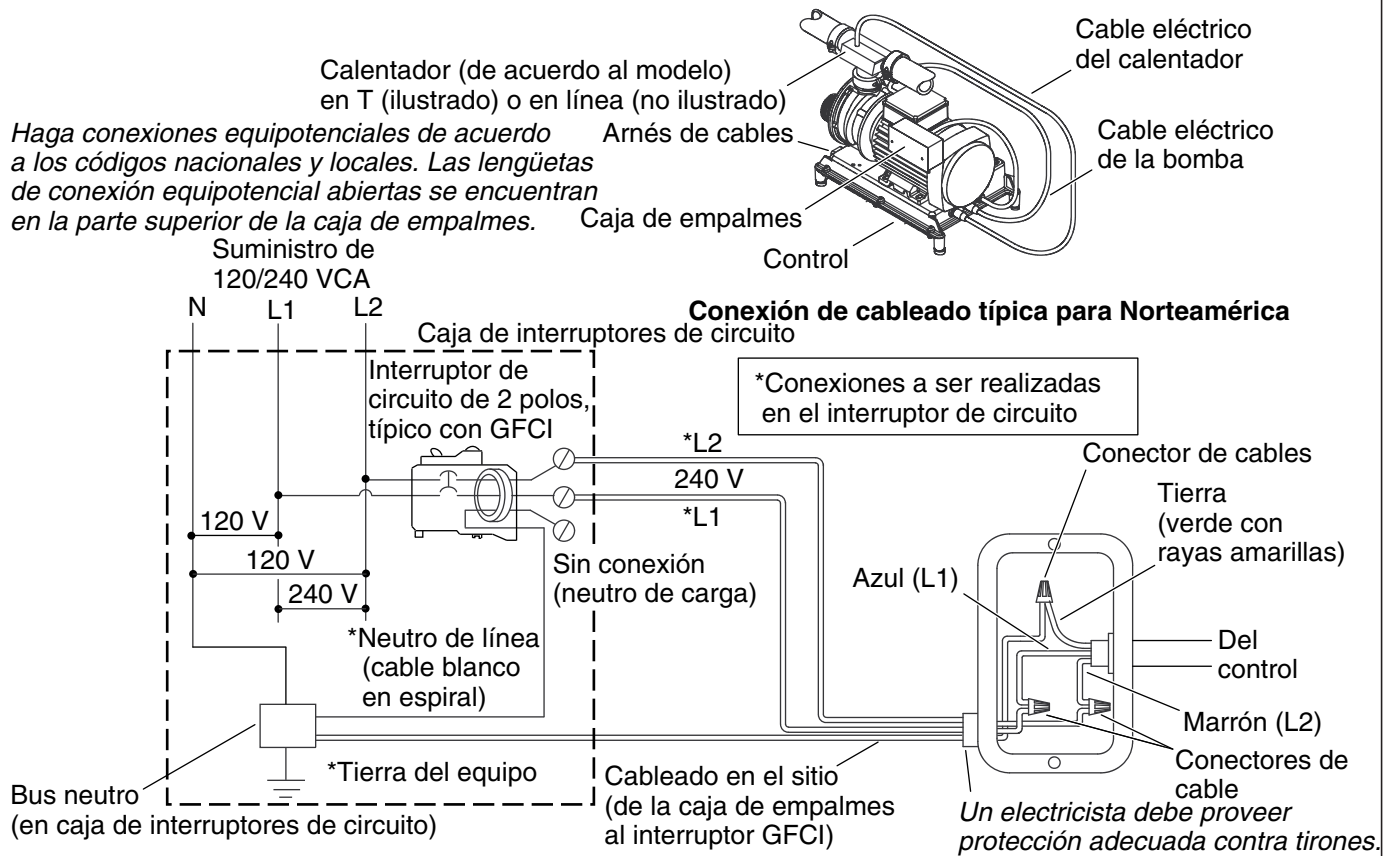
**¡IMPORTANTE!** Escoja un surtidor de llenado que deje espacio libre adecuado sobre el reborde de la piletta de baño de la bañera. Es posible que sea necesario elevar el material de la cubierta para obtener suficiente espacio libre, ya que es posible que el reborde exterior sea más bajo que el reborde de la piletta de baño. Además, si planea instalar una ducha de mano de montaje en cubierta, la válvula vacuorreguladora del desviador debe dejar un espacio libre mínimo de 1" (25 mm) sobre el reborde exterior.

**NOTA:** Un panel de acceso facilitará el mantenimiento futuro.

- Si todavía no lo ha hecho, conecte el desagüe a la trampa de acuerdo a las instrucciones del fabricante del desagüe.
- Instale las válvulas de la grifería de acuerdo a las instrucciones del fabricante de la grifería. Instale la guarnición de la grifería hasta que se le indique.

### **Instale la plomería (cont.)**

- Asegúrese de que todas las válvulas de mariposa y las conexiones de suministro estén bien apretadas.
- Abra los suministros de agua caliente y fría, y verifique que no haya fugas en las conexiones de suministro.
- Deje correr agua a la pileta de baño y verifique que no haya fugas en las conexiones de desagüe.



## 8. Haga las conexiones eléctricas

**NOTA:** El número de modelo está impreso en una etiqueta en el lado de la bomba de la bañera de hidromasaje. Esta etiqueta también identifica la capacidad nominal eléctrica del producto. **Todas las bañeras de hidromasaje están equipadas con una caja de empalmes y están diseñadas para funcionar entre 220 V y 240 V a 50 Hz o 60 Hz.**



**ADVERTENCIA: Riesgo de que se produzca una sacudida eléctrica.** Asegúrese de desconectar la corriente eléctrica antes de realizar los siguientes procedimientos. Consulte la sección "Información importante".



**ADVERTENCIA: Riesgo de que se produzca una sacudida eléctrica.** Para reducir el riesgo de sacudida eléctrica, conecte la bomba a un interruptor de circuito con pérdida a tierra (GFCI)\* bien conectado a tierra. Esto sirve de protección adicional contra el peligro de sacudida eléctrica de línea a tierra. Se requiere un circuito dedicado de 220-240 V, 20 A, 50/60 Hz.

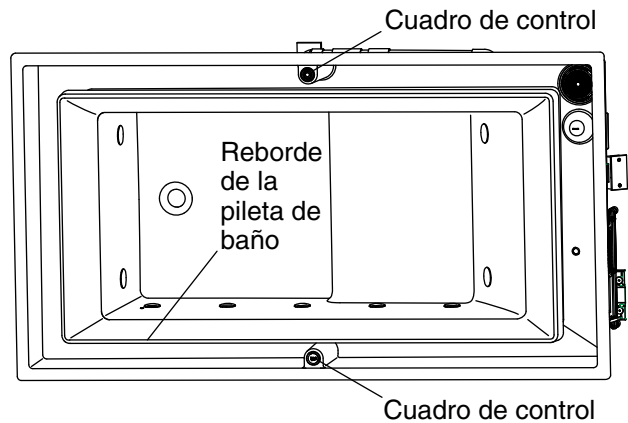
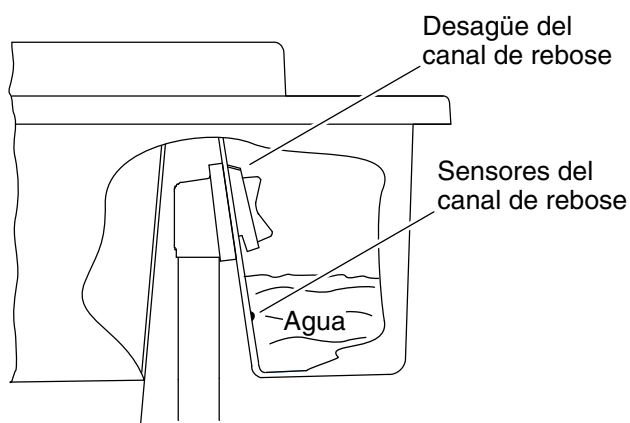
**¡IMPORTANTE!** El **neutro de carga** no se usa. No debe haber conexión al terminal de **neutro de carga** en el interruptor de circuito con pérdida a tierra (GFCI). El cable verde con la raya amarilla es la **tierra del equipo** y se debe conectar al bus neutro en la caja principal de interruptores de circuito.

- El cableado del control y del sistema de la bañera de hidromasaje se ha realizado en la fábrica. Un electricista capacitado debe realizar las conexiones eléctricas a la caja de empalmes.
- Conecte el cable de servicio eléctrico a la caja de empalmes. La caja de empalmes tiene cables de color azul, marrón y verde con una raya amarilla.
- Cumpla los códigos eléctricos locales. Haga conexiones equipotenciales de acuerdo a los códigos nacionales y locales.
- El cableado del arnés de cables se ha realizado en la fábrica, y permite la comunicación entre el teclado, todas las funciones y el control. No es necesario realizar ningún cableado adicional, pero asegúrese de que todos los cables se hayan sujetado bien.

### **Haga las conexiones eléctricas (cont.)**

**NOTA:** El arnés de cables incluye una antena para el control remoto opcional. No modifique ni dañe esta antena durante la instalación.

\*Fuera de Estados Unidos es posible que este dispositivo se conozca como dispositivo de corriente residual (RCD).



## 9. Pruebe el funcionamiento de la bañera rebotante

- Revise todas las conexiones eléctricas y asegúrese de que la unidad esté conectada al suministro eléctrico.
- Asegúrese de que las conexiones a la bomba, a las válvulas de mariposa, y al calentador en línea estén bien apretadas a mano. Asegúrese de que la pileta de baño y el canal de rebose estén limpios y sin desperdicios.
- Coloque la rejilla metálica de succión sobre la tapa plástica de succión. Es posible que la bomba cavite si la rejilla de metal no está en su lugar.
- Llene la pileta de baño de la bañera rebotante con agua de forma que rebose el reborde de la pileta de baño y fluya hacia el canal de rebose. Continúe llenando la pileta de baño hasta que ambos sensores del canal de rebose queden cubiertos por completo por el agua y que el nivel del agua quede en el rebosadero de desagüe.
- Verifique que la luz verde del interruptor de control de la bomba empiece a parpadear automáticamente en menos de 1/2 minuto después de que los sensores del canal de rebose queden sumergidos por completo.

## 10. Pruebe el interruptor de control

- Oprima el interruptor de control de la bomba para arrancar la bomba/el motor y comenzar el ciclo de hidroterapia. Una vez que la bomba/motor arranque y el agua comience a circular, la luz se torna verde constante y permanece iluminada mientras la bañera rebotante esté funcionando.
- Mientras la unidad esté funcionando, revise todas las conexiones de los arneses (tubería) para ver que no tengan fugas. Observe el agua que cae en cascada sobre el reborde de la pileta de baño para verificar que fluya suave y pareja a los cuatro lados y esquinas.
- Si el agua cae en cascada de manera uniforme por los cuatro lados del reborde de la pileta de baño, no es necesario que se hagan más ajustes de nivelación.
- Si es necesario nivelar más, deje la bañera rebotante funcionando y haga girar las patas ajustables hacia arriba o hacia abajo con la llave de apriete (de 7/8 pulg.) que se incluye. Asegúrese de que la unidad esté apoyada sobre las cuatro patas ajustables.
- Verifique que las luces de cromoterapia (si corresponde) estén funcionando. Oprima el interruptor de control de cromoterapia (directamente del otro lado del interruptor de encendido de la bañera) para encender las luces. Al inicio las luces deben cambiar a través de la secuencia de colores. Oprima el interruptor de control de las luces por segunda vez. La secuencia de las luces debe detenerse y debe permanecer un solo color iluminado. Oprima de nuevo el interruptor de control de las luces y las luces se deben apagar.

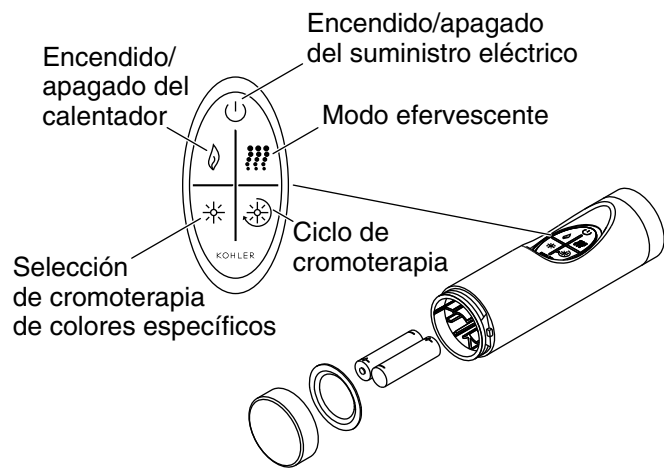
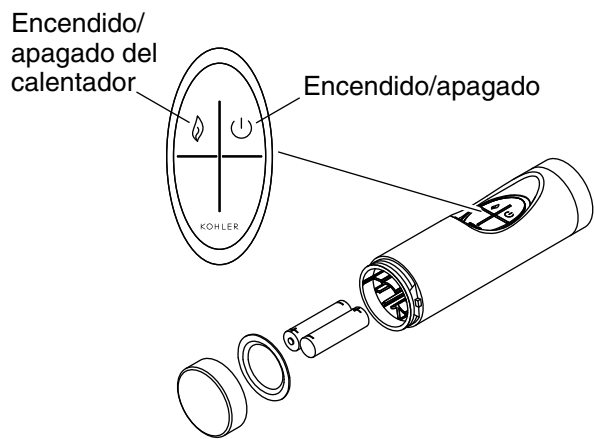


### **Pruebe el interruptor de control (cont.)**

- Verifique una vez más que no haya fugas en las conexiones de arnés.
- Oprima otra vez el interruptor del control de la bomba para apagar la bañera. La luz verde del interruptor de control de la bomba empieza entonces a parpadear automáticamente (después de aproximadamente 1/2 minuto) hasta que la bañera rebosante se vacía o se reinicia.

**NOTA:** Para consultar información adicional acerca del funcionamiento de su bañera, vea la sección "Uso de su bañera".

**¡IMPORTANTE!** Deje acceso adecuado para cada una de las cuatro patas ajustables hasta que haya terminado de hacer las pruebas.



## 11. Compruebe el control remoto

**NOTA:** Hay dos tipos de control remoto disponibles: una unidad básica y una unidad con controles para cromoterapia y efervescencia. Determine qué unidad tiene usted, y siga las instrucciones correspondientes.

**NOTA:** Su control remoto requiere 2 pilas AAA. Para instalarlas o cambiarlas, simplemente desatornille la base del control remoto.

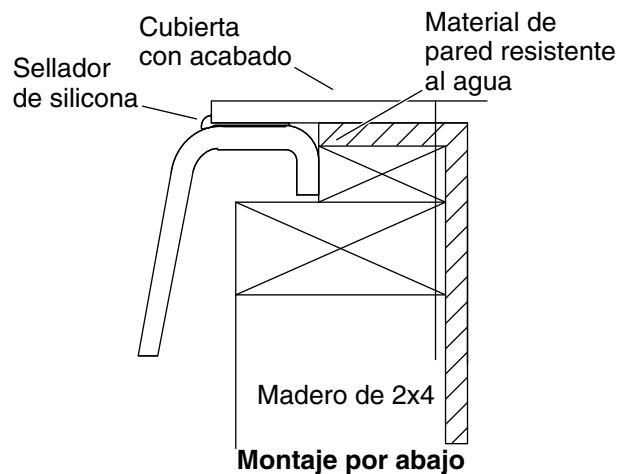
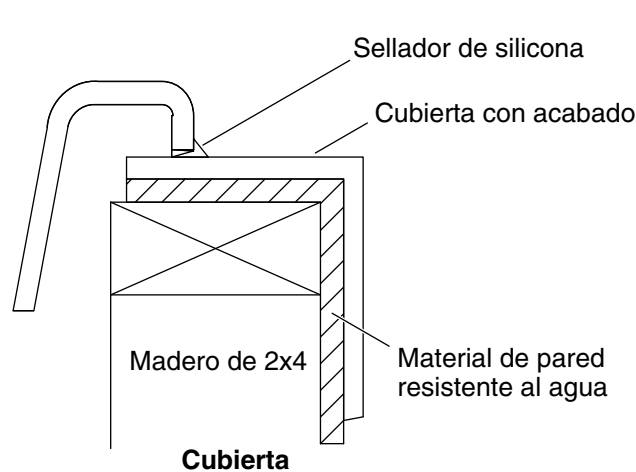
Su bañera rebosante está equipada con un control remoto impermeable.

Para encender y apagar la bomba y las luces de cromoterapia, oprima el botón de encendido y apagado.

Para recalentar el agua en la bañera rebosante mientras circula, encienda el calentador al oprimir el icono del calentador (por diseño del calentador queda "encendido" cuando se enciende la bomba). Oprima el icono del calentador de nuevo para apagar el calentador. El calentador no funcionará si la bomba está apagada. Si el calentador está encendido, el interruptor de la bomba está de color verde oscuro. Si el calentador está apagado, se torna amarillo verdoso.

Para que ciclen las luces de cromoterapia por el espectro de colores, oprima el icono de ciclo de cromoterapia.

Para dejar un color específico de cromoterapia, oprima el icono del color específico de cromoterapia.



## 12. Aplique el acabado a la pared o cubierta

**AVISO:** Deje acceso sin restricciones para dar servicio a la bomba, al calentador en línea, a las patas ajustables y a la caja de control. Se debe construir un panel de acceso para dejar espacio suficiente para dar servicio a la bomba, al calentador en línea y a la caja de control.

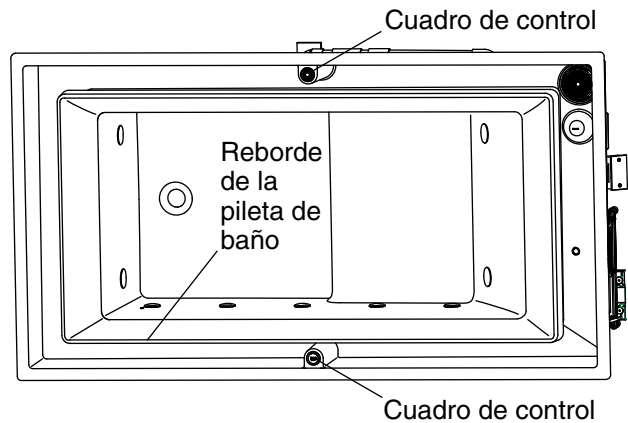
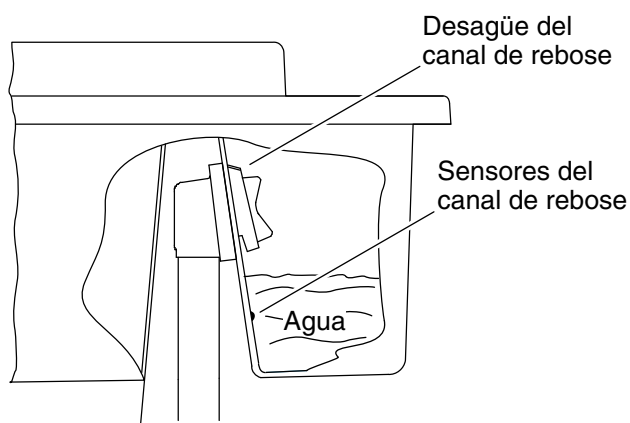
- Proteja la superficie del producto. Cubra la estructura de postes con un material de pared resistente al agua.
- Deje toda el área del canal de rebose expuesta para dejar accesible el rebosadero de desagüe, y poder limpiar con facilidad las superficies del canal de rebose.
- Selle con sellador de silicona las juntas entre el borde del reborde y el material resistente al agua de la pared o de la cubierta.
- Adhiera el material de pared resistente al agua con cinta y yeso.
- Instale la pared acabada sobre el material resistente al agua de la pared.
- Selle con sellador de silicona las uniones entre el reborde del producto y el material de la pared acabada.

## 13. Instale la guarnición de la grifería.

- Instale la guarnición de la grifería según las instrucciones incluidas con la guarnición.

## 14. Limpieza después de la instalación

- Al limpiar después de la instalación, **no utilice productos de limpieza abrasivos** ya que pueden dañar y opacar la superficie de la bañera. Limpie la superficie con agua tibia y detergente líquido.
- Las manchas difíciles de quitar, la pintura y el alquitrán se pueden limpiar con aguarrás y diluyente de pintura. **No permita que los productos de limpieza que contengan destilados de petróleo permanezcan en contacto con cualquier superficie de la bañera durante periodos prolongados.** Para retirar el yeso, raspe con cuidado con un borde de madera. No utilice raspadores de metal, cepillos de alambre ni otras herramientas metálicas. Se puede utilizar detergente en polvo con un paño húmedo para ejercer una acción abrasiva suave en los residuos de yeso.



## 15. Uso de la bañera

### Llene la bañera rebosante

**NOTA:** Lea atentamente estos pasos antes de hacer funcionar su bañera.

- Asegúrese de que la rejilla metálica de succión esté limpia y colocada correctamente sobre la tapa plástica de succión.

**NOTA:** La temperatura del agua en la bañera no debe exceder 104°F (40°C), ya que de lo contrario el calentador no funcionaría.

**¡IMPORTANTE!** Al igual que con cualquier otra bañera, evite inundar el área alrededor de la unidad y para ello entre lentamente en la bañera llena. Esto permite que el sistema drene correctamente el exceso de agua.

- Llene la unidad con agua de forma que la pileta de baño se desborde hacia el canal de rebose al desagüe. Los sensores en el canal deben estar cubiertos por completo con agua.
- La luz verde del interruptor de control de la bomba empezará a parpadear automáticamente en medos de 1/2 minuto después de que los sensores queden sumergidos, para avisarle que la unidad está lista para ser usada.

### Secuencia de funcionamiento

- Oprima el interruptor de control de la bomba para arrancar la bomba/el motor y comenzar el funcionamiento.
- Una vez que la bomba/motor se encienda y el agua comience a circular, la luz del interruptor de control de la bomba cambia a verde constante y permanece encendida mientras la bañera rebosante esté en funcionamiento.
- Verifique que la luz indicadora del calentador esté iluminada cuando la bañera rebosante esté funcionando. Esta luz indicadora está en la cara inferior de la caja del calentador, y cerca del subpiso en el extremo de la bañera rebosante donde está la bomba. Si la luz no está iluminada cuando la bañera rebosante está funcionando, restablezca el interruptor GFCI.
- Oprima otra vez el interruptor del control de la bomba para apagar la bañera rebosante. La luz verde en el interruptor de control de la bomba comienza a parpadear automáticamente durante aproximadamente 1/2 minuto hasta que la bañera rebosante se vacía más abajo de los sensores del canal de rebose o se vuelve a iniciar.

**NOTA:** El temporizador integrado apaga automáticamente la bañera después de aproximadamente 20 minutos de funcionamiento.

## Uso de la bañera (cont.)

- Oprima de nuevo el interruptor de control de la bomba para arrancar la bomba/el motor y comenzar el funcionamiento.
- Oprima el interruptor de control de encendido y apagado para arrancar la bomba/el motor y comenzar el funcionamiento.
- Una luz color naranja en el interruptor de control de encendido y apagado se ilumina temporalmente para indicar el inicio del modo de funcionamiento.
- Una vez que la bomba/motor arranque y que el agua comience a circular, la luz se torna verde constante y permanece iluminada mientras la bañera rebosante esté funcionando.
- Verifique que la luz indicadora del calentador esté iluminada cuando la bañera rebosante esté funcionando. Esta luz indicadora está en la cara inferior de la caja del calentador, y cerca del subpiso en el extremo de la bañera rebosante donde está la bomba. Si la luz no está iluminada cuando la bañera rebosante está funcionando, oprima el botón de restablecer que está a la derecha de la luz indicadora de la caja del calentador.
- Oprima otra vez el interruptor del control de encendido y apagado para apagar la bañera rebosante. La luz color naranja en el interruptor de encendido y apagado se ilumina temporalmente para indicar el final del modo de funcionamiento. La luz verde del interruptor de control de encendido y apagado empieza entonces a parpadear automáticamente hasta que la bañera rebosante se vacía por debajo de los sensores del canal de rebose o se vuelve a encender.

**NOTA:** El temporizador integrado apaga automáticamente la bañera después de aproximadamente 20 minutos de funcionamiento.

## 16. Funcionamiento de la luz de cromoterapia (si está equipada)

**NOTA:** Estas instrucciones son solo para el uso del cuadro de control montado. Consulte más información en la sección "Prueba del control remoto".

- Si las luces de cromoterapia están apagadas, oprima el botón en el cuadro de control (en el lado opuesto de la bañera rebosante). Las luces de cromoterapia empiezan a cambiar de color (modo de barrido).
- Cuando las luces de cromoterapia estén en el modo de barrido, es posible fijar en un solo color al oprimir el botón de control.
- Cuando un color en particular esté fijo, oprima el botón de control para apagar las luces de cromoterapia.

## Procedimientos para resolver problemas

Para obtener servicio de garantía, comuníquese con el vendedor o con el distribuidor mayorista. Esta guía para resolver problemas es solo una ayuda general. Comuníquese con un representante de servicio autorizado de Kohler o con un electricista calificado para corregir todos los problemas eléctricos. Para obtener servicio de garantía, comuníquese con el vendedor o con el distribuidor mayorista.

Síntomas	Causas probables	Acción recomendada
1. La luz verde del interruptor de control de encendido y apagado parpadea antes de que la pileta de baño se llene de agua.	A. El surtidor vierte el agua directamente al canal de rebose.	A. Ajuste o vuelva a instalar el surtidor para que llene directamente dentro de la pileta de baño. Consulte al instalador o distribuidor.

**Procedimientos para resolver problemas (cont.)**

Síntomas	Causas probables	Acción recomendada
	<p><b>B.</b> Una o ambas válvulas de mariposa no funcionan.</p> <p><b>C.</b> El control no funciona.</p>	<p><b>B.</b> Verifique el cableado de las válvulas de mariposa o cambie las válvulas de mariposa. Consulte al instalador o distribuidor.</p> <p><b>C.</b> Verifique el cableado o cambie el control. Consulte al instalador o distribuidor.</p>
<p><b>2.</b> El producto no enciende.</p>	<p><b>A.</b> La unidad no tiene suministro eléctrico.</p> <p><b>B.</b> El agua no cubre los sensores del canal de rebose.</p> <p><b>C.</b> El interruptor de control de encendido y apagado no se ilumina ni parpadea cuando la unidad está funcionando o está llena como es debido.</p> <p><b>D.</b> El motor o la bomba no funciona.</p> <p><b>E.</b> El control no funciona.</p>	<p><b>A.</b> Restablezca el suministro eléctrico a la unidad, o solucione el problema que haya causado el corte de corriente. Consulte al instalador o distribuidor.</p> <p><b>B.</b> Llene la pileta de baño hasta que el agua se desborde sobre el reborde de la pileta de baño hacia el canal de rebose, y cubra los sensores del canal de rebose. Se sugiere llenar hasta el rebosadero de desagüe.</p> <p><b>C.</b> Revise el cableado o cambie el interruptor de control de encendido y apagado. Consulte al instalador o distribuidor.</p> <p><b>D.</b> Repare o cambie el motor o la bomba. Consulte al instalador o distribuidor.</p> <p><b>E.</b> Verifique el cableado o cambie el control. Consulte al instalador o distribuidor.</p>
<p><b>3.</b> El agua no fluye en cascada de manera uniforme sobre todo el reborde de la pileta de baño.</p>	<p><b>A.</b> La unidad no está nivelada.</p> <p><b>B.</b> Los puertos de la pileta de la bañera están obstruidos.</p> <p><b>C.</b> La rejilla metálica de succión está obstruida.</p>	<p><b>A.</b> Nivele la unidad con la llave de apriete provista para hacer girar las patas ajustables hacia arriba o hacia abajo según sea necesario.</p> <p><b>B.</b> Elimine la obstrucción.</p> <p><b>C.</b> Limpie la rejilla metálica de succión.</p>
<p><b>4.</b> La unidad se detiene automáticamente antes de 18 minutos.</p>	<p><b>A.</b> El interruptor GFCI se ha disparado.</p> <p><b>B.</b> El motor se sobrecalentó y se activó el dispositivo de protección.</p>	<p><b>A.</b> Identifique la causa de la falla y corríjala. Consulte al instalador o distribuidor.</p> <p><b>B.</b> Verifique que no haya obstrucciones en los huecos de ventilación del motor. Deje enfriar el motor, luego elimine la obstrucción. Verifique que la rejilla metálica de succión no esté tapada, y deje enfriar el motor antes de volver a encenderlo. Verifique que no haya obstrucciones en los puertos de la bañera. Retire la obstrucción y deje enfriar el motor antes de volver a encenderlo.</p>

<b>Procedimientos para resolver problemas (cont.)</b>		
<b>Síntomas</b>	<b>Causas probables</b>	<b>Acción recomendada</b>
	<p>C. Durante el funcionamiento, el nivel del agua desciende por debajo de los sensores del canal de rebose (el anillo "amarillo" del interruptor de la bomba parpadea).</p>	<p>C. Llene la pileta de baño hasta que el agua se desborde sobre el reborde de la pileta de baño hacia el canal de rebose y cubra los sensores del canal de rebose. Se sugiere llenar hasta el rebosadero de desagüe. Asegúrese de que el desagüe de la bañera selle correctamente.</p>
<p>5. Funcionamiento ruidoso.</p>	<p>A. La rejilla metálica de succión no está colocada sobre la tapa plástica de succión.</p> <p>B. El nivel de agua en el canal de rebose es insuficiente.</p> <p>C. El motor o la bomba hace ruido.</p>	<p>A. Coloque la rejilla metálica de succión sobre la tapa plástica de succión para evitar la cavitación.</p> <p>B. Llene la pileta de baño hasta que el agua se desborde sobre el reborde de la pileta de baño hacia el canal de rebose, y cubra los sensores del canal de rebose. Se sugiere llenar hasta el rebosadero de desagüe. Asegúrese de que el desagüe de la bañera selle correctamente.</p> <p>C. Asegúrese de que se hayan cortado las cintas flejadoras del motor y de la bomba.</p>
<p>6. La temperatura del agua desciende significativamente durante 20 minutos de funcionamiento.</p>	<p>A. El interruptor de límite del calentador se ha disparado. La luz indicadora debe permanecer encendida durante el funcionamiento.</p> <p>B. El calentador no funciona.</p>	<p>A. Restablezca el interruptor GFCI o RCD.</p> <p>B. Verifique el cableado o cambie el calentador. Consulte al instalador o distribuidor.</p>
<p>7. Las luces de cromoterapia no funcionan.</p>	<p>A. El arnés de cables está dañado.</p> <p>B. El control no funciona.</p>	<p>A. Verifique el cableado o cambie el control. Consulte al instalador o distribuidor.</p> <p>B. Cambie el arnés de cableado. Consulte al instalador o distribuidor.</p>
<p>8. El control remoto no funciona.</p>	<p>A. Las pilas están mal instaladas o descargadas.</p> <p>B. El control no funciona.</p> <p>C. El control remoto no ha sido programado correctamente.</p> <p>D. El control remoto no funciona.</p> <p>E. El interruptor de control no funciona.</p>	<p>A. Cambie las pilas.</p> <p>B. Cambie el arnés de cableado. Consulte al instalador o distribuidor.</p> <p>C. Consulte la guía del usuario o el manual de servicio.</p> <p>D. Cambie el control remoto.</p> <p>E. Cambie el control.</p>
<p>9. El agua no llega al borde de la bañera al llenar.</p>	<p>A. La unidad no recibe suministro eléctrico.</p> <p>B. Los cables de las sondas de nivel están sueltos.</p> <p>C. Las válvulas de mariposa no funcionan.</p> <p>D. El interruptor de control no funciona.</p>	<p>A. Active el suministro eléctrico.</p> <p>B. Revise y vuelva a conectar el cableado.</p> <p>C. Verifique el cableado; cambie las válvulas de mariposa si es necesario.</p> <p>D. Cambie el control.</p>

**Procedimientos para resolver problemas (cont.)**









USA/Canada: 1-800-4KOHLER

México: 001-800-456-4537

[kohler.com](http://kohler.com)

THE BOLD LOOK  
OF **KOHLER**®

©2019 Kohler Co.

1019731-2-E