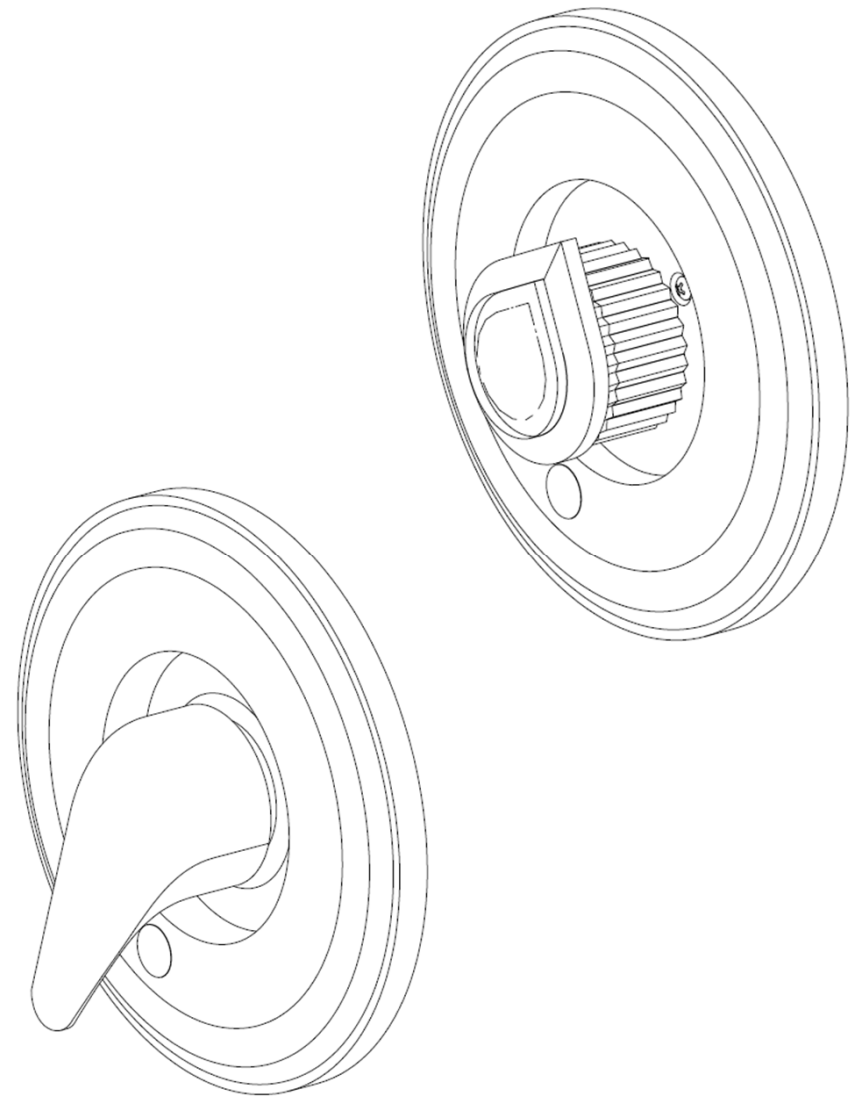


# KINGSTON

KITCHEN & BATH



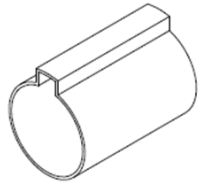
[www.kingstonbrass.com](http://www.kingstonbrass.com)

TOLL-FREE CUSTOMER SERVICE: 1-877-2-KBRASS

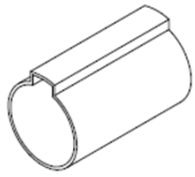
TECHNICAL SUPPORT E-mail: [service@kingstonbrass.com](mailto:service@kingstonbrass.com)

12775 Reservoir Street, Chino, CA91710

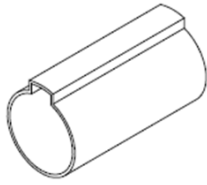
# Parts List For Moen Universal Trim Kit



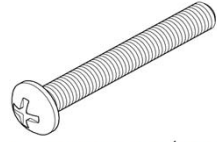
A1 - Large Sleeve



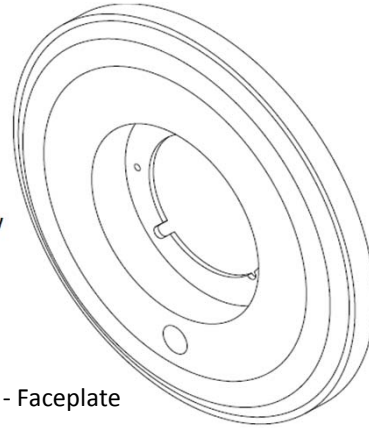
A2 - Sleeve



A3 - Sleeve



B - #8-32 x 1-3/4" Screw



C - Faceplate



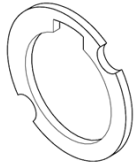
D1 - Faceplate Insert



D2 - Faceplate Insert



D3 - Faceplate Insert



E1 - Sleeve Gasket



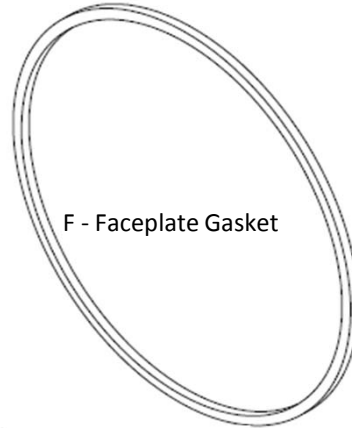
E2 - Sleeve Gasket



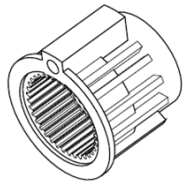
G - Diverter Plug



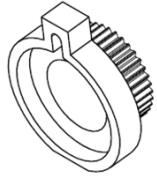
H - Diverter Foam Gasket



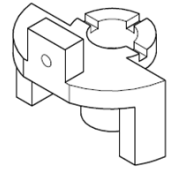
F - Faceplate Gasket



I - Bushing



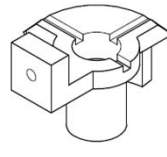
J - Stop



K - Handle Adapter



L - #10-24 x 1/2" Screw



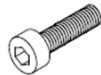
M - Handle Adapter



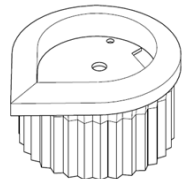
N - Adapter



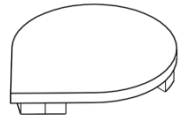
O - Lever Handle



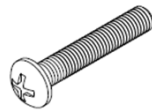
P - #6-32 x 5/8" Screw



Q - Acrylic Handle



R - Handle Cap



S - #10-24 x 1-1/4" Screw



T - Lock Washer

PART#	ITEM	QUANTITY
A1	Large Sleeve	1
A2	Sleeve	1
A3	Sleeve	1
B	#8-32 x 1-3/4" Screw	2
C	Faceplate	1
D1	Faceplate Insert	1
D2	Faceplate Insert	1
D3	Faceplate Insert	1
E1	Sleeve Gasket	1
E2	Sleeve Gasket	1
F	Faceplate Gasket	1
G	Diverter Plug	1
H	Diverter Foam Gasket	1
I	Bushing	1
J	Stop	1
K	Handle Adapter	1
L	#10-24 x 1/2" Screw	1
M	Handle Adapter	1
N	Adapter	1
O	Lever Handle	1
P	#6-32 x 5/8" Screw	1
Q	Acrylic Handle	1
R	Handle Cap	1
S	#10-24 x 1-1/4" Screw	1
T	Lock Washer	1

# Installation Instructions for Moen Universal Trim Kit

## Identification of Correct Valve (figure 1)

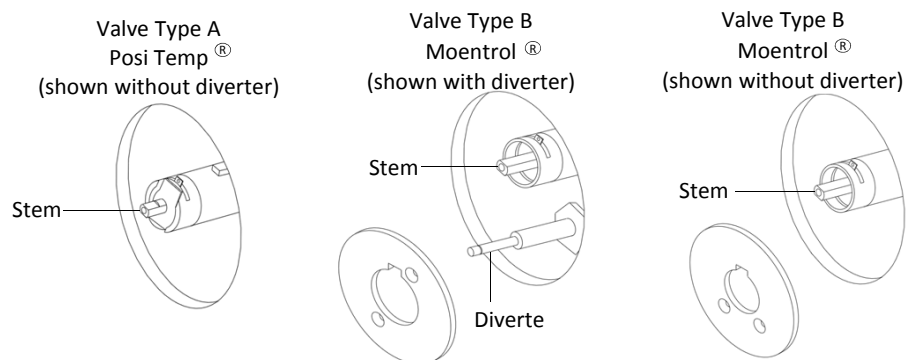
Before removing the old tub/shower faucet trim or handle, determine which valve body you have. To turn the water from OFF to ON:

1. Do you rotate the handle from right to left (counter-clockwise)?  
If you Rotate the handle from right to left, you have valve type A (Posi Temp®)
2. Do you pull the handle?  
If you Pull the handle to turn on the water, you have valve type B (Moentrol®)

**Note:** If you use a diverter, figure 1 shows applications with and without a diverter. Metal lever handles do not work with valves that include diverter. If diverter is used, you must use the clear acrylic handle.

Check screw hole location for valve type B. Mounting screws are located in two different locations. Note the screw location used for your installation.

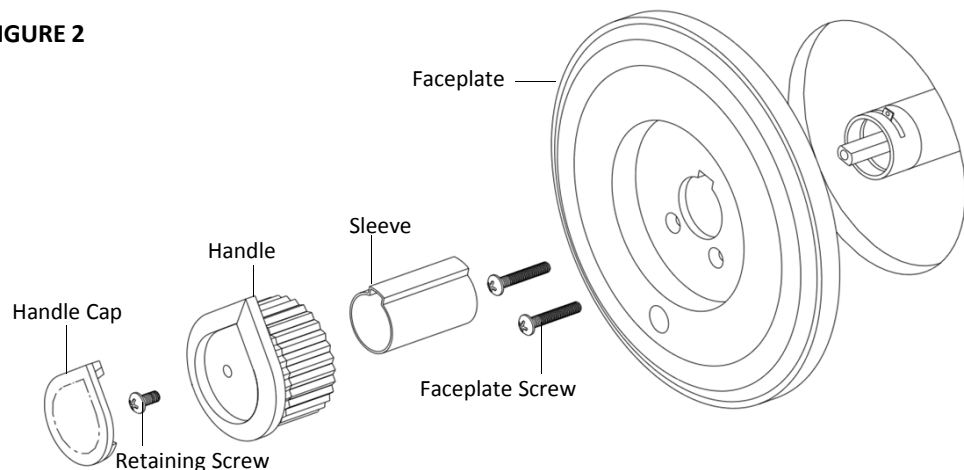
**FIGURE 1**



## Remove of Old Trim (figure 2)

1. Shut off water supply to tub/shower faucet. This may require shutting off the main water supply. Once water supply is off, turn on the faucet to allow the release of any water pressure.
2. Remove the handle cap from the old handle. Remove retaining screw and handle.
3. Remove faceplate screws, then the faceplate and slide off body sleeve.
4. Verify selection of correct valve after removing old trim (see figure 1)

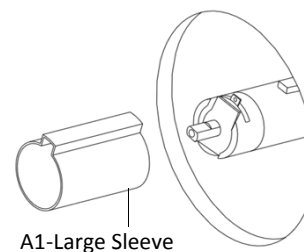
**FIGURE 2**



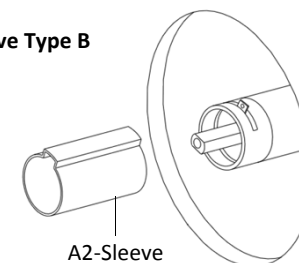
## Installation of Faceplate (figure 3 - 5)

1. Install new tube by sliding over valve (figure 3).  
**Note:** Valve type A uses the larger diameter (A1) sleeve and valve type B uses the smaller diameter (A2) sleeve.
2. Locate the (C) faceplate. If the valve uses a diverter, remove the (G) diverter plug from the new faceplate. Using the (H) diverter foam gasket, remove the backing paper and adhere to the back of faceplate around the diverter hole. If diverter is not used, do not remove the (G) diverter plug, discard the (H) diverter foam gasket and continue on Step 3.
3. Choose the correct faceplate insert:  
Valve type A uses the same (D1) faceplate insert with the larger inner opening (figure 4). Valve type B uses the (D2/3) faceplate insert with the smaller inner opening (figure 5). Note the (B) screw locations for type B valves and select the correct insert. Using the correct sleeve gasket, remove backing paper and adhere to the back of the correct faceplate insert.
4. Snap the faceplate insert into the faceplate and firmly press insert to snap into place.
5. Place faceplate gasket into the back of the faceplate. Slide faceplate assembly over the sleeve. Make sure the diverter hole is toward the bottom. Press faceplate assembly against the wall, making sure not to dislodge the faceplate insert. Secure faceplate assembly to the valve body using the included screws. Do not over tighten.

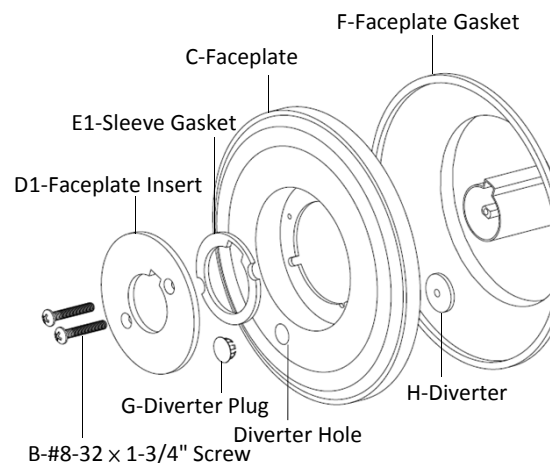
**FIGURE 3**  
Valve Type A



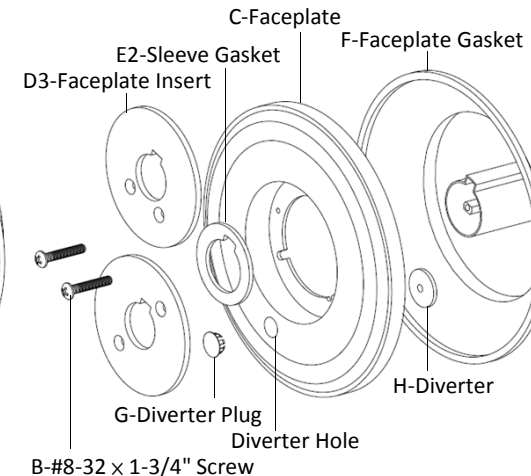
Valve Type B



**FIGURE 4**  
Valve Type A



**FIGURE 5**  
Valve Type B



# Installation Instructions for Moen Universal Trim Kit

## Valve Type A Installation (figures 6 – 8)

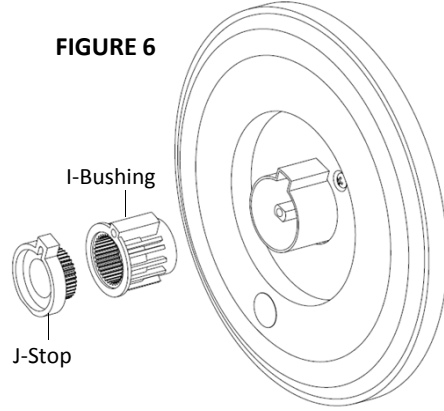
1. Slide stem washer over valve stem (figure 6).
2. Insert bushing into sleeve and then insert stop into bushing.

**Note:** This is a temperature limiting device. Rotate the stop clockwise and press into place to limit the output of hot water.

**! THIS DOES NOT REDUCE THE NEED TO LOWER THE TEMPERATURE OF THE WATER HEATER TO PREVENT SCALDING!**

Determine type of handle to use.

**Note:** Metal lever handles do not work with valves that include a diverter.



### For Metal Lever Handle (figure 7)

1. Place metal lever (M) handle adapter over stem and secure adapter with (L) screw making sure orientation is downward.
2. Place metal (O) lever handle over (M) handle adapter, with lever pointing downward. Push (P) hex screw through handle and screw into handle adapter from the underside of handle. Secure in place by tightening (P) hex screw.

### For Clear Acrylic Handle (figure 8)

1. Remove plastic insert from clear acrylic handle and place handle over valve stem with handle pointing downward. Use (S) screw and (T) lock washer to secure handle in place on valve stem.
2. Push (R) handle cap into (Q) acrylic handle.

FIGURE 7

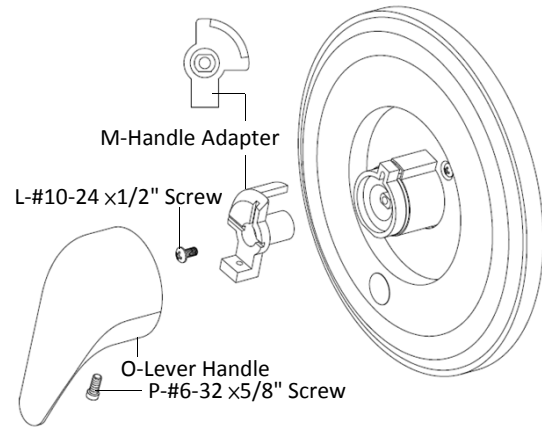
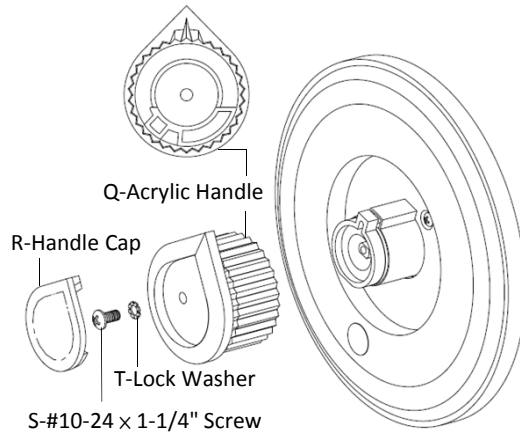


FIGURE 8



## Valve Type B Installation (figures 9 & 10)

Determine type of handle to use. Note: Metal lever handles do not work with valves that include a diverter.

### For Metal Lever Handle (figure 9)

1. Place metal lever (K) handle adapter over valve stem and secure adapter with (L) screw making sure orientation is downward.
2. Place metal (O) lever handle over (K) handle adapter, with lever pointing downward. Push (P) hex screw through handle and screw into (K) handle adapter from the underside of handle. Secure in place by tightening (P) hex screw.

### For Clear Acrylic Handle (figure 10)

1. Install plastic adapter into clear (Q) acrylic handle by pressing firmly into handle. When fully installed, adapter will be even with bottom of handle. Place handle assembly over valve stem with handle pointing upward. Use (S) screw and (T) lock washer to secure handle in place on valve stem.
2. Push (R) handle cap into (Q) acrylic handle.

FIGURE 9

