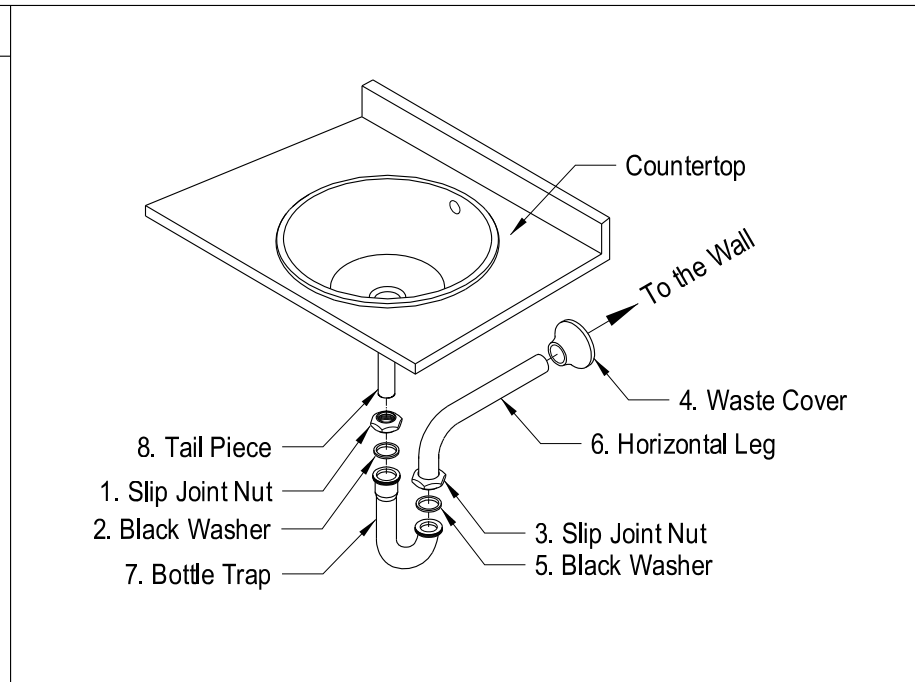
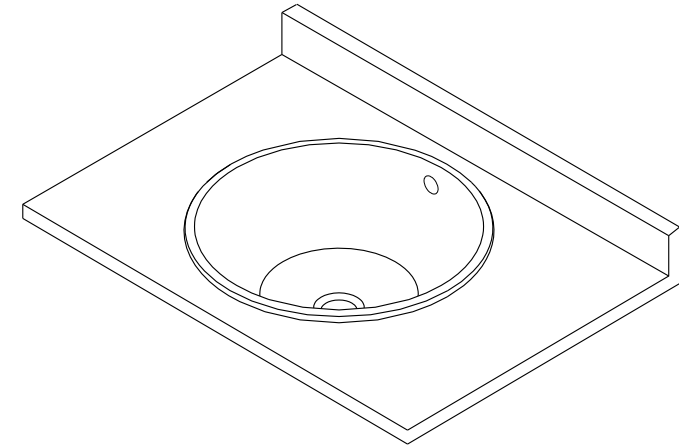


## P-Trap Installation:

8



# FAUCETURE



1. Remove horizontal leg and slip joint nut from bottle trap.
2. Apply teflon to all exposed threads.
3. Insert slip joint nut(3) and waste cover(4) onto horizontal leg(6).
4. Insert horizontal leg into wall waste opening, do not tighten.
5. Insert black washer(2) and slip joint nut(1) onto tail piece(8).
6. Attach bottle trap(7) to tail piece and hand tighten slip joint nut(1).
7. Align bottle trap with horizontal leg and tail piece, at this point it may be necessary to cut part of tail piece or part of horizontal leg to obtain proper alignment.
8. After all components have been properly aligned, insert horizontal leg making sure to insert black washer(5) before tightening slip joint nut(3).
9. Thread both slip joint nuts onto bottle trap and tighten along with slip joint securing horizontal leg to wall waste opening.
10. Check for leakage by opening faucet and letting water run for at least 45 seconds.

[www.kingstonbrass.com](http://www.kingstonbrass.com)

TOLL-FREE CUSTOMER SERVICE: 1-877-2-KBRASS

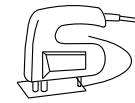
TECHNICAL SUPPORT E-mail: [service@kingstonbrass.com](mailto:service@kingstonbrass.com)

12775 Reservoir Street, Chino, CA91710

# FAUCETURE

## INSTALLATION INSTRUCTIONS For Use SURFACE MOUNT BASIN

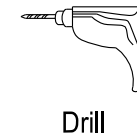
### Need Tools:



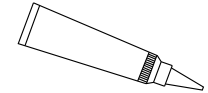
Scroll Saw



Plumber's Putty



Drill



Silicone Sealant

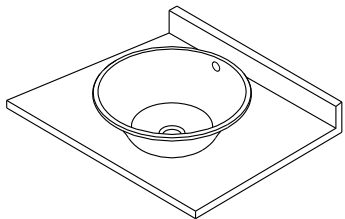
### Before Installation :

1. Prior the installation, unpack your new Kingston Brass product and inspect it keep the product in its original package until you are ready to install it.
2. Shut the water supply off when replacing an existing fixture. Preparation of the floors and walls, including all additional wall supports, maybe required.
3. Observe all local plumbing and building codes.
4. Do not install this fixture alone.
5. Make sure to select appropriate drain as some of Kingston Brass vessel sinks do not include overflow hole.

### Installation Step :

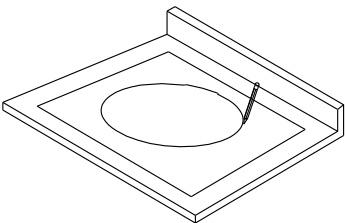
1

2



1. Place vessel sink on top of counter where it will be installed.
2. If your vessel sink does not include the faucet hole, then make sure to allow sufficient space for faucet installation.

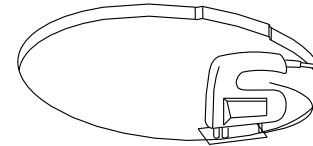
3



3. Determine where you would like to install the sink on the countertop, and then place the provided template on the countertop.

4

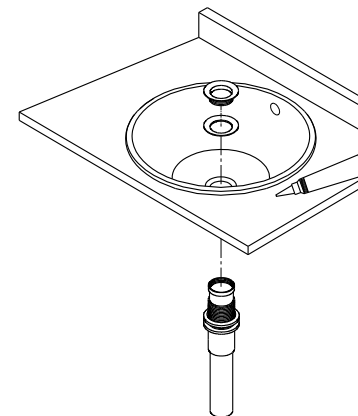
5



4. After you've placed the template in the desired location. Trace the template so you have a line to cut when you remove the template. Be sure to check under the cabinet to ensure that you have enough clearance for the drain assembly and plumbing that will be needed.
5. Drill a pilot hole. Double check all measurements before continuing cutting to ensure proper fit. Cut along the traced line using a jigsaw or any other appropriate tools.

6

7



6. After cutting is complete, sand the sides of the hole to ensure they are smooth. Apply silicone sealant to the edge of the cutout hole. Properly align the sink and slowly lower the sink until it rests on the counter top. You can connect the drain assembly and the rest of the plumbing at this point.
7. Insert the drain as show on picture, tighten the drain nut from under the counter and making sure not to over tighten as this may cause cracks in your vessel sink.