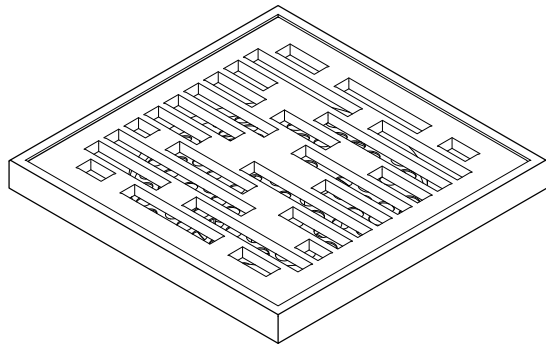
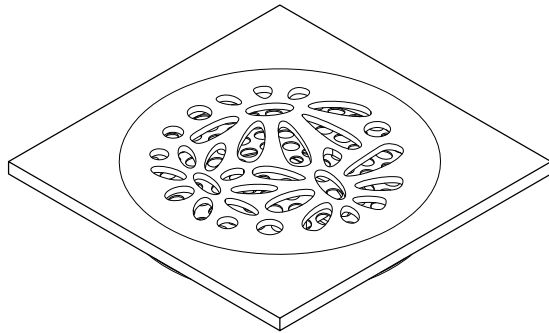


KINGSTON

KITCHEN & BATH

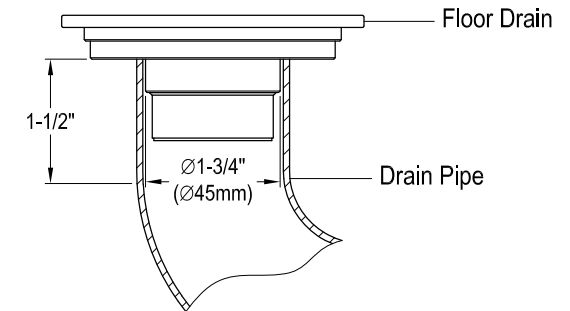
Shower Drain Installation



www.kingstonbrass.com
TOLL-FREE CUSTOMER SERVICE: 1-877-2-KBRASS
TECHNICAL SUPPORT E-mail: service@kingstonbrass.com
12775 Reservoir Street, Chino, CA 91710

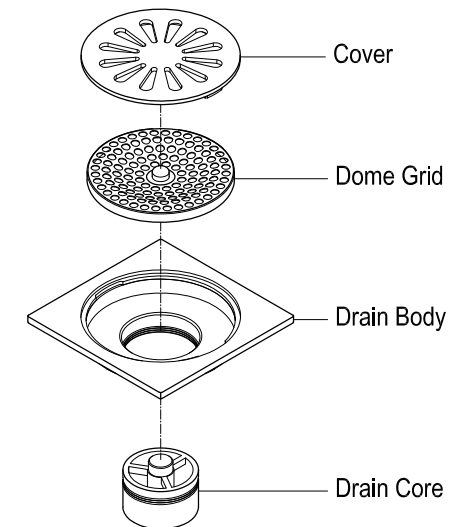
Before Installation :

- This Shower Drain is designed for a 2" drain pipe.
- Please allow a 4" x 4" space on the tile for drain flange.
- Please allow 1-1/2" of clear vertical space from the top of the drain pipe to the point where the elbow bends.



Installation:

1. Remove the cover, Dome grid and Drain Core from the Drain Body.
2. Apply adhesive around the underside of the flange on the drain body.
3. Insert drain core, dome grid and drain cover into drain body.
4. Remove any excess adhesive or sealant.
5. Allow it to dry for 24 hours before use.



Care and Maintenance:

- Clean periodically of any debris that has accumulated.
- To clean, remove cover, dome grid and drain core, remove any debris present and re-insert all component.