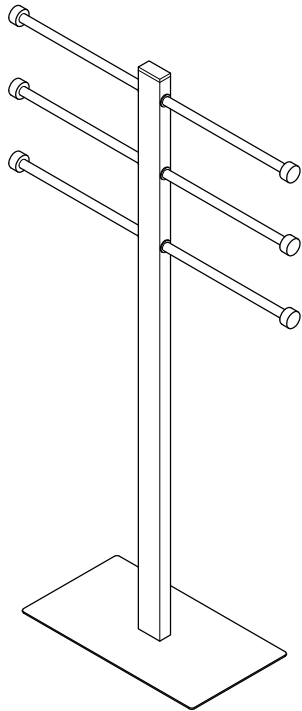


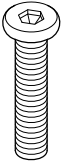
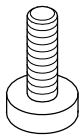
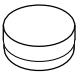
KINGSTON

KITCHEN & BATH

Freestanding Towel Holder Installation



Parts:

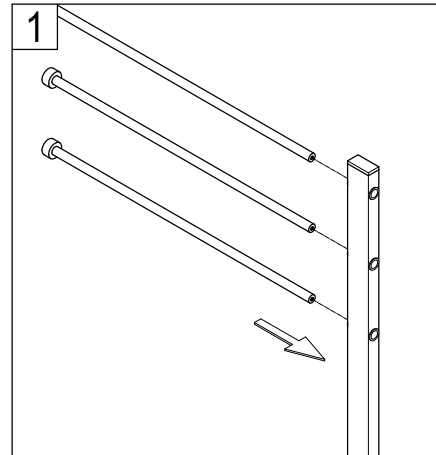
Bolt	Sift Head	Gasket
		
2 Pcs	6 Pcs	4 Pcs

www.kingstonbrass.com
TOLL-FREE CUSTOMER SERVICE: 1-877-2-KBRASS
TECHNICAL SUPPORT E-mail: service@kingstonbrass.com
12775 Reservoir Street, Chino, CA 91710

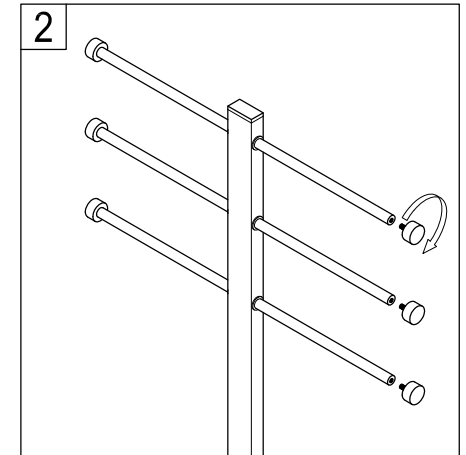
TOOLS REQUIRED



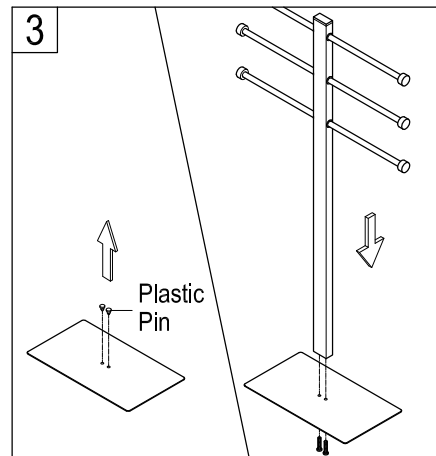
Allen Wrench



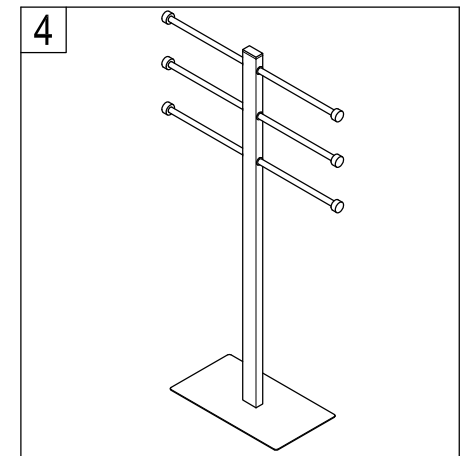
1. Insert the side bar into the tube and position at the desired location.



2. Secure the sift head onto the other end of the side bar tightly in a clockwise direction.



3. Remove the plastic pin from the base, then install towel holder assembly onto the base and secure the bolt tightening with the Allen wrench.



4. To complete the installation and use the provided gaskets to cover the exposed corners of the bottom of the base. Check that all bolts are tight and secure on your completed towel holder.

Cleaning

Clean with a damp cloth only.
Avoid using metal or abrasive polishes.