

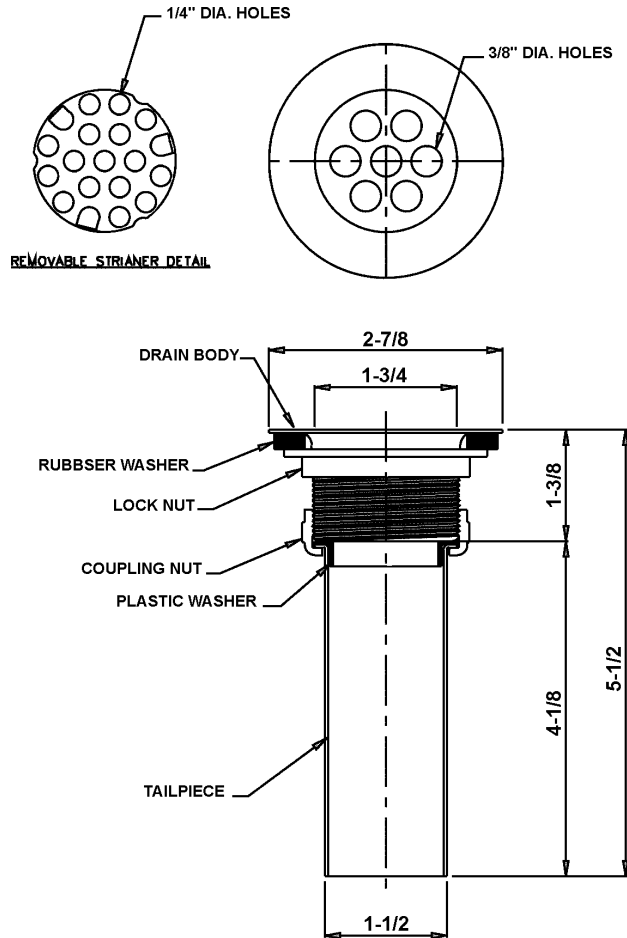


**FITTINGS GROUP**

**J-15-SSF**

**Stainless Steel Drain with Flat Grid Strainer**

**SUBMITTAL DATA**



**TECHNICAL DATA**

**DRAIN:**  
 Body of Type 304 stainless steel  
 Flat grid strainer, Type 304 stainless steel

**TAILPIECE:**  
 Type 304 stainless steel

**LOCK NUT:**  
 Die-cast zinc

**COUPLING NUT:**  
 Die-cast

**VARIANTS**  
 Brass coupling nut

FUNCTIONAL DESIGN, QUALITY, AND SPECIFICATIONS LISTED DESCRIBE THE JUST STANDARD OF QUALITY. WHEN MAKING COMPARISONS WITH OTHER OFFERINGS, INSIST ON THE JUST QUALITY OF CONSTRUCTION. FOR ADDITIONAL INFORMATION REGARDING THE COMPLETE LINE OF **JUST** SINKS, FAUCETS AND DRAINS, VISIT OUR WEB SITE AT [www.justmfg.com](http://www.justmfg.com)

Job Name _____	
Customer _____	
Architect/Engineer _____	
APPROVED FOR MANUFACTURING	
MODEL NO. _____	QTY. _____
COMPANY _____	
TITLE _____	DATE _____
SIGNATURE _____	

<b>JUST MANUFACTURING COMPANY</b>
9233 KING STREET, FRANKLIN PARK, ILLINOIS, 60131-2111
PH: 847-678-5150 . FAX: 847-678-6817
E-MAIL: <a href="mailto:custserv@justmfg.com">custserv@justmfg.com</a> . <a href="http://www.justmfg.com">www.justmfg.com</a>

REVISED-5/2004