

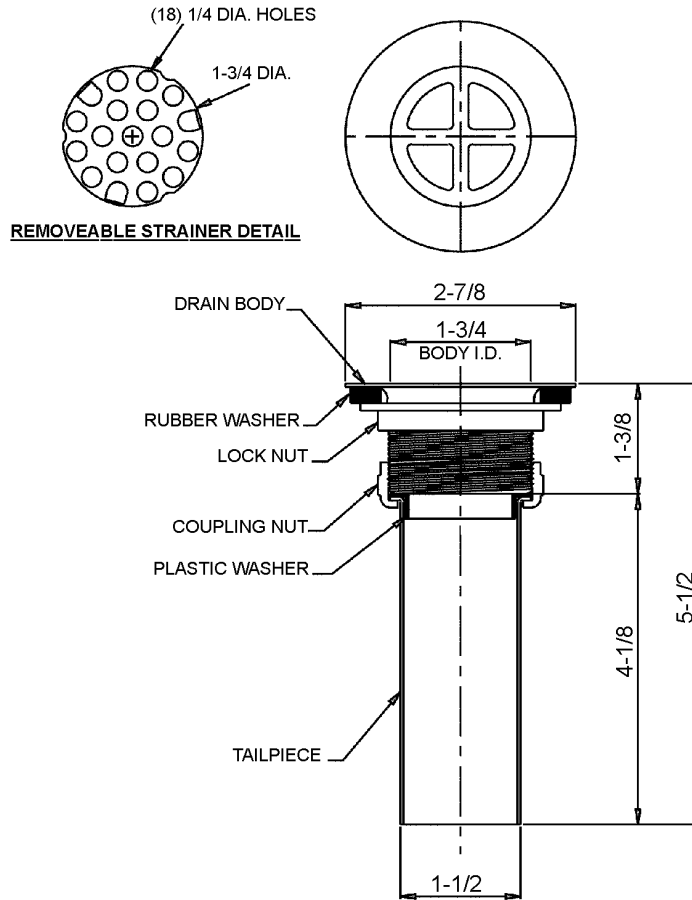


J-15-FS

Drain with removeable strainer

FITTINGS GROUP

SUBMITTAL DATA



TECHNICAL DATA

DRAIN:
Chrome plated brass

LOCK NUT:
Die-cast zinc

STRAINER:
Chrome plated brass

COUPLING NUT:
Die-cast

TAILPIECE:
Chrome plated brass

VARIANTS
None

Job Name _____
Customer _____
Architect/Engineer _____

APPROVED FOR MANUFACTURING

MODEL NO. _____ QTY. _____

COMPANY _____

TITLE _____ DATE _____

SIGNATURE _____

FUNCTIONAL DESIGN, QUALITY, AND SPECIFICATIONS LISTED DESCRIBE THE JUST STANDARD OF QUALITY. WHEN MAKING COMPARISONS WITH OTHER OFFERINGS, INSIST ON THE JUST QUALITY OF CONSTRUCTION. FOR ADDITIONAL INFORMATION REGARDING THE COMPLETE LINE OF **JUST** SINKS, FAUCETS AND DRAINS, VISIT OUR WEB SITE AT www.justmfg.com

JUST MANUFACTURING COMPANY

9233 KING STREET.FRANKLIN PARK.ILLINOIS.60131-2111

PH: 847-678-5150 . FAX: 847-678-6817

E-MAIL: custserv@justmfg.com . www.justmfg.com

REVISED-5/2004