

Lead Free Brass Ball Valve

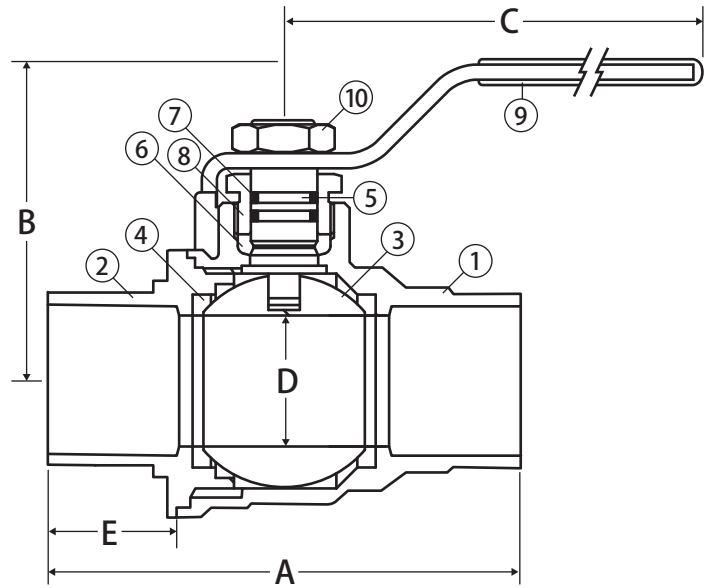


2 Piece • Full Port • Solder Connection • 600 WOG



S-100CG

CRN# 0C16887.5469870YTN



Features

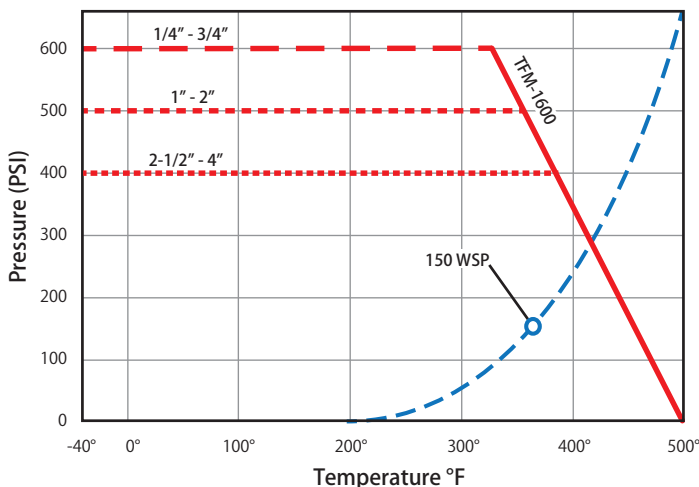
- Dezincification resistant brass alloy 1/2"-4" valves
- Triple sealing stem with 2 Viton® o-rings and Hostafion® seal
- Blow-out proof stem
- 100% leak tested
- 100% Made in Italy
- Leakproof stem - Lifetime Warranty
- 29 in-Hg vacuum rating
- Wetted surfaces contain less than .25% lead content

Approvals

- UL Listed (1/2" - 2")
 - VQGU - Trim & drain (US only)
- NSF 372
- NSF 61-8
- NSF 61 - Annex G
- ASME/ANSI B16.18
- MSS SP-110

Valve Seat Rating

1/4" - 3/4" 600 WOG, 1" - 2" 500 WOG - 150 WSP, 2-1/2"-4" 400 WOG



Material Specifications

No.	Part	Materials
1	Body	Lead Free Brass - CW511L
2	End Connection	Lead Free Brass - CW511L
3	Ball	T.E.A. Coated Brass - CW510L
4	Seat (2)	Hostafion® TFM 1600
5	Stem	Lead Free Brass - CW510L
6	Packing	Hostafion® TFM 1600
7	Stem O-ring (2)	Viton®
8	Packing Gland	Brass - CW614N
9	Handle	Steel - Geomet® Plated
10	Handle Nut	Steel - Geomet® Plated

Dimensions

Part No.	Size	A	B	C	D	E	Cv
100-413G	1/2"	2.48	1.56	2.95	0.59	0.51	16.82
100-414G	3/4"	3.26	2.05	3.74	0.79	0.76	34.80
100-415G	1"	3.94	2.55	4.75	0.97	0.92	52.20
100-416G	1-1/4"	4.50	2.66	4.75	1.23	0.98	112.52
100-417G	1-1/2"	5.07	3.31	6.00	1.49	1.10	174.00
100-418G	2"	6.22	3.60	6.00	1.99	1.34	255.20
100-419G*	2-1/2"	7.28	4.74	8.00	2.46	1.45	350.32
100-420G*	3"	8.48	5.05	8.00	2.99	1.63	563.76
100-421G*	4"	10.08	5.90	9.84	4.00	2.20	879.28

WARNING: This product can expose you to chemicals including lead, which is known to the State of California to cause cancer, and lead, which is known to the State of California to cause birth defects or other reproductive harm. For more information go to www.P65Warnings.ca.gov.