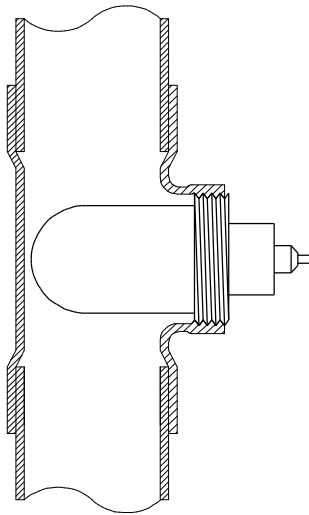


Pneumatic Cleanout Test Plugs - 1 1/2" to 4"

The Pneumatic Cleanout Test Plug is designed for the testing of plumbing pipelines above the cleanout tee. Each size is designed for one specific pipe size. The design of this plug will allow for passing of the test water or air by deflating the plug. After deflation the plug can be unscrewed from the test tee. Manufactured from a durable natural rubber compound these plugs are flexible yet rugged. Each size comes with a molded in inflation valve.



Nominal Size	Number	Minimum Pipe Diameter	Maximum Pipe Diameter	Plug Diameter	Plug Length	Overall Plug Length	Bypass Size	Inflation Pressure	Maximum Back Pressure		Shipping Weight
									Water Head (feet)	Air (psig)	
1 1/2"	83651	1.50	1.50	1.38	2.50	5.00	None	35	30	13	0.3
2"	83652	2.00	2.00	1.75	3.00	5.25	None	35	30	13	0.4
3"	83653	3.00	3.00	2.75	3.75	6.50	None	35	30	13	0.9
4"	83654	4.00	4.00	3.75	5.50	8.00	None	35	30	13	1.5