

Talis S
Freestanding Tub Filler Trim with 1.75 GPM Handshower
 Finishes : **chrome** Part no. : **72413001**



Description

Features

- consists of: Freestanding tub filler trim, Baton handshower, Handshower hose
- Ceramic cartridge
- Integrated double backflow prevention

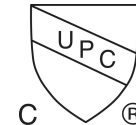
Item details

List Price \$ 847.00

Technology



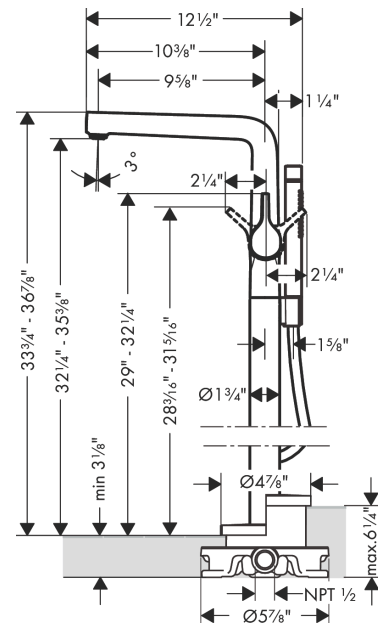
Compliance



Product image



Scale drawing

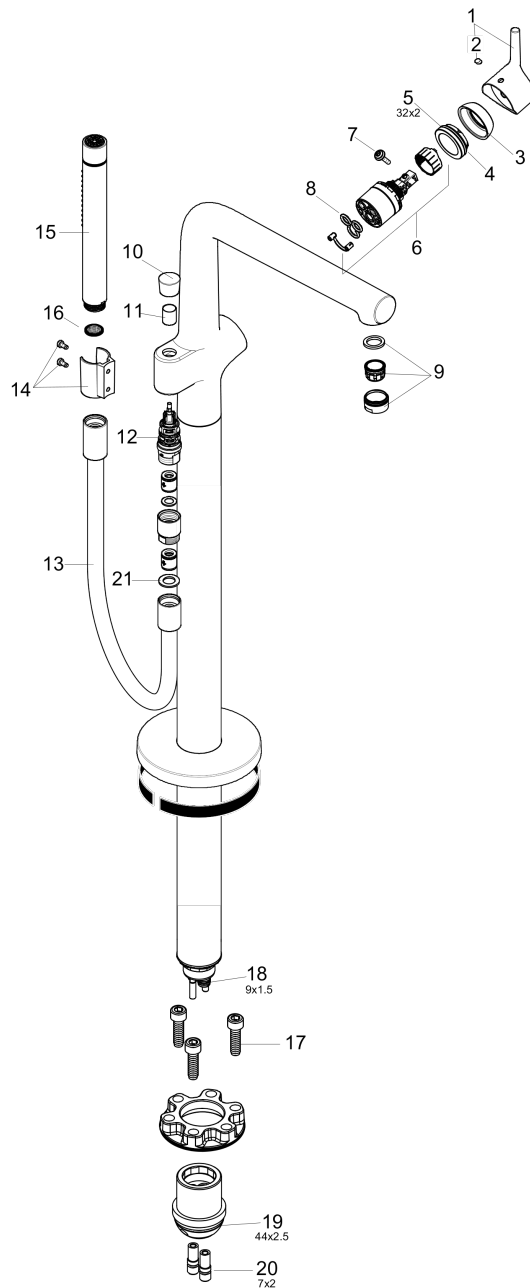


Talis S
Freestanding Tub Filler Trim with 1.75 GPM Handshower
 Finishes : **chrome** Part no. : **72413001**



Exploded drawing

Year of production: >01/19



Talis S
Freestanding Tub Filler Trim with 1.75 GPM Handshower
 Finishes : **chrome** Part no. : **72413001**



Spare parts list

Year of production: >01/19

| Pos. | Description | Part no. | Price | PU |
|------|--------------------------------|----------|-------|----|
| 1 | handle | 92644000 | - | 1 |
| 2 | screw cover | 96338000 | - | 1 |
| 3 | flange | 97406000 | - | 1 |
| 4 | nut | 97209000 | - | 1 |
| 5 | O-Ring 32x2 | 98193000 | - | 1 |
| 6 | cartridge, assy | 92730000 | - | 1 |
| 7 | locking screw for handle | 95140000 | - | 1 |
| 8 | seal | 95008000 | - | 1 |
| 9 | aerator M24x1 (38 l/min) | 95871000 | - | 1 |
| 10 | diverter knob | 95284000 | - | 1 |
| 11 | sleeve | 97738000 | - | 1 |
| 12 | selector assy | 94077000 | - | 1 |
| 13 | shower hose 1,25 m | 28282000 | - | 1 |
| 14 | shower holder, assy | 96295000 | - | 1 |
| 15 | handshower | 04486000 | - | 1 |
| 16 | filter packing | 94246000 | - | 1 |
| 17 | hexagon socket screw M10x35 | 97670000 | - | 1 |
| 18 | O-ring 9x1,5 | 98117000 | - | 1 |
| 19 | O-ring 44x2,5 | 98162000 | - | 1 |
| 20 | O-ring 7x2 | 98419000 | - | 1 |
| 21 | seal | 98058000 | - | 1 |
| a | extension set 60 mm | 97686000 | - | 1 |
| b | set of non return valves DW 15 | 94074000 | - | 1 |
| c | O-ring 29x3 | 98371000 | - | 1 |