

# HotMax™

Complete Dispensing System Providing Endless Near-Boiling Water

## Specifications

Electric Tankless Water Heater

### Applications

- Foodservice
- Coffeehouse/café
- Restaurants/kitchens
- Hotels/hospitality
- Cafeteria

### Performance Features

- Designed for the rigors of commercial foodservice applications
- Provides endless, near-boiling water with no downtime
- Industry leading volume of 480 cups per hour at continuous flow
- Heat Primed Technology™ delivers near-boiling water from first cup to last
- Stylish gooseneck dispenser
- Faucet features patent pending SteamShield™ technology delivering near-boiling water in a steady flow for operator safety
- Splash-free dispensing with no undesirable steam
- Temperature consistency of +/- 2°F at steady state
- Broad temperature range of 140°F – 200°F
- Easy-to-adjust temperature control dial with 11 settings
- Recovery-free operation
- Compact size for flexible installation
- Faucet easily mounts in standard sink opening
- Warranty, five (5) years limited on leaks, one (1) year parts
- Certifications: NSF/ANSI 372 Lead Free Certified, ETL certified (U.S. & Canada)

### System Specifications

<b>Dimensions:</b>	12"H x 7"W x 5"D
<b>Weight:</b>	6.85 lb
<b>Cover:</b>	Plastic - light texture
<b>Color:</b>	Gray
<b>Temperature Range:</b>	140-200°F
<b>Dynamic Operating Pressure:</b>	30-150 PSI
<b>Optimum Operating Pressure:</b>	55-80 PSI
<b>Element:</b>	Replaceable brass copper cartridge insert
<b>Inlet Fitting:</b>	3/8" compression fittings
<b>Outlet Fitting:</b>	Proprietary - 4mm tube (1/4" compression fitting)
<b>Turn On:</b>	0.3 GPM
<b>Max Flow Rate:</b>	0.5 GPM (at 60 PSI)

U.S. Patent Pending Technology

### Faucet Specifications

<b>Height:</b>	11.5"
<b>Surface:</b>	Chrome plating, lead free
<b>Min. Rotary Ability:</b>	180°
<b>Outlet Angle Tolerance:</b>	+/- 5°
<b>Nut Materials:</b>	Plastic PA66 and copper
<b>Lever:</b>	Spring return lever
<b>Outlet Flow:</b>	Laminar flow stream

U.S. Patent Pending Technology



**NO LEAD**

\*The wetted surface of this product contacted by water contains less than 0.25% lead and meets NSF/ANSI 372



### Special Design Service

Inquiries for units for unique applications are welcome. Call our Technical Service department at **1-800-543-6163**.

### Suggested Specification

Instant near-boiling water dispensing system shall be an Eemax HotMax model number HMO13240.

Unit shall integrate electric tankless technology with a dispensary system (faucet) to supply near-boiling water. Unit shall have a 0.3 GPM turn on. Unit shall be limited to a max flow at 0.5 GPM. Element shall be replaceable copper sheathed with brass flange cartridge insert. Outlet fitting shall include an insulated 4mm tube. Faucet shall deliver water in a laminar flow stream. Unit shall modulate power to the heating elements to maintain a user-selected output temperature between 140°F-200°F (subject to incoming water temperature). The unit shall be equipped with both computer-controlled and electromechanical auto resetting thermostat switches for high-limited temperature protection. The unit shall include a dispensary system that will allow liquid to pass through internal screen(s) and be shaped into a laminar flow stream that is conducive to splash-free fluid dispensing for any number of uses. Unit shall employ technology to separate near-boiling water from undesirable steam- applicable for any application where the separation of liquid and gas is desired at the point of dispensing.

# HotMax

Complete Dispensing System Providing Endless Near-Boiling Water

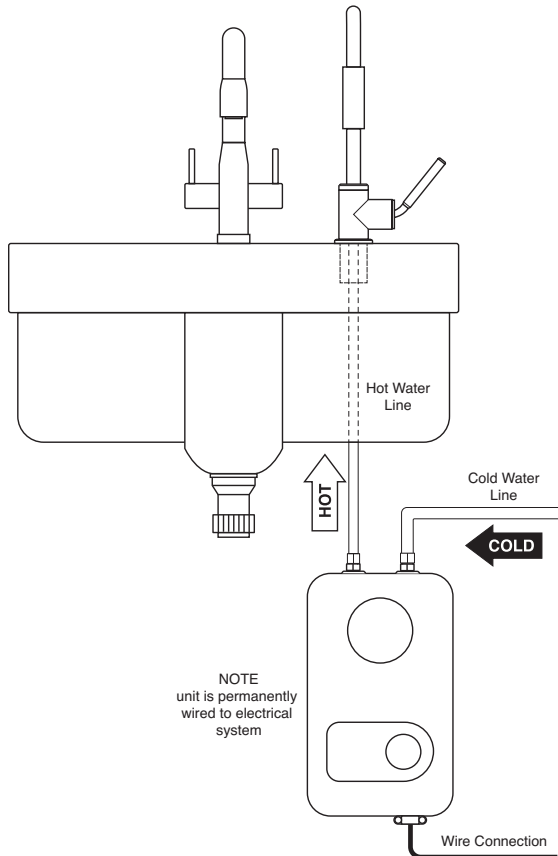
## Specifications

Electric Tankless Water Heater

MODEL NUMBER	KW	AMPS	RECOMMENDED WIRE SIZE	INLET FITTING	OUTLET FITTING	TURN ON (GPM)	MAX FLOW (GPM)
<b>VOLTS 240</b>							
C <b>HM013240</b>	13	54	6 AWG	3/8" CF	proprietary - 4mm tube (1/4" CF)	0.3	0.5 (at 60 PSI)

\*C\* indicates evaluation and compliance to either Underwriters Laboratories (UL) or Intertek (ETL) under CAN/CSA-C22.2 No. 64/No. 88.

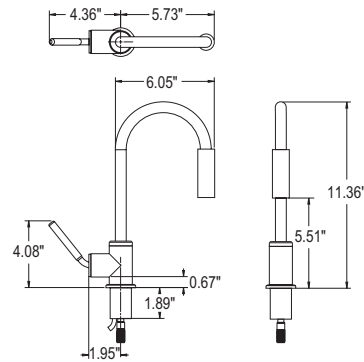
## Sample Installation



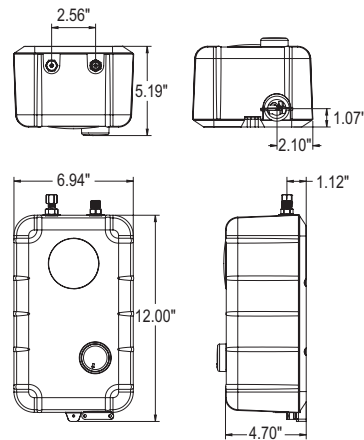
## Installation Considerations

- Near-boiling water is assured at any location regardless of ground water temperature
- Turn down the setpoint on the heater to compensate for high altitude locations
- Mount heater within 20" of the faucet fittings
- Separate 8 AWG ground conductor
- 60 A double pole breaker
- A sediment filter and scale inhibitor is recommended to be installed ahead of the unit
- A boiler drain is recommended for optimal serviceability

## Faucet Dimensions



## Heater Dimensions



## Installation Requirements

- A metallic brass drain, tailpiece, and p-trap are required; plastic (PVC) is not permitted
- Verify that your garbage disposal is capable of withstanding temperatures up to 200°F