

Model: 40515 Series with spray in deck



A Moen Incorporated Brand

*There is more than 1 version of this model.
Page down to identify the version you have.*



One Handle Kitchen With Deck Spray

DESCRIPTION

- Metal construction with chrome plated finish
- Hose reach 37", hose length 48", Duralock™ Quick Connect installation
- 40515: Chrome finish, white spray, white spray hose guide
- 40515C: Chrome finish, chrome spray, chrome spray hose guide
- 1/2" IPS connection
- Will accept standard cone/bevelled connection for 3/8" tubing
- Six (6) individual boxes per master carton

OPERATION

- Pivot action, lever-style handle
- Temperature control by 90° arc
- Will operate with less than 5 lbs. of force

FLOW

- Spout flow limited to 1.5 gpm (5.7 L/min) at 60 psi

CARTRIDGE

- Ceramic disc technology
- Non-metallic, non-ferrous, and plastic material
- Single body construction for easy replacement

NOTE

- Designed to install through 3 holes 1-1/4" (32mm) MIN. DIA. and 4" (102mm) on center

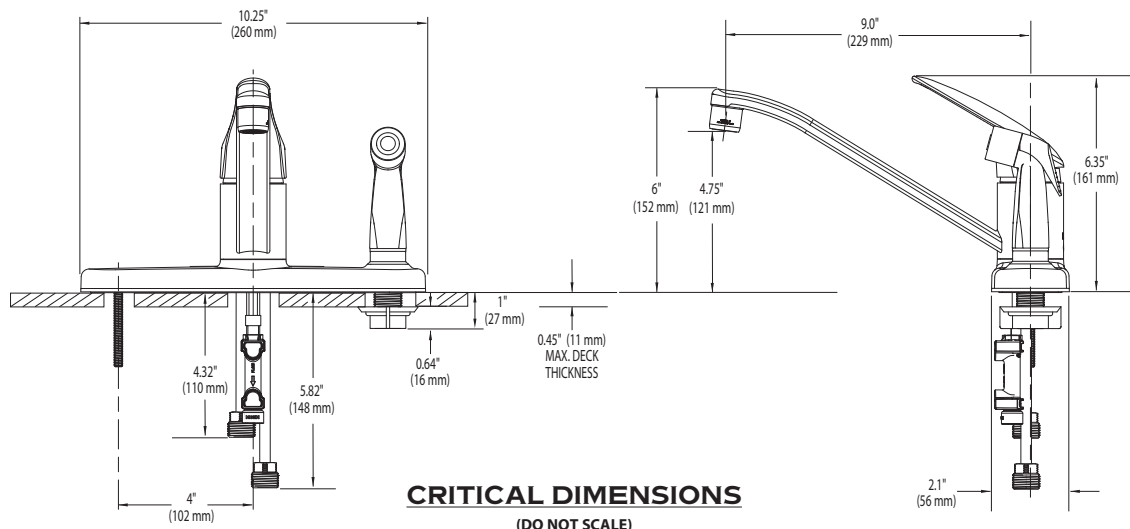
STANDARDS

- Third party certified to ASME A112.18.1/CSA B-125.1, and all applicable requirements referenced therein, including NSF61/9
- Complies with California Proposition 65, and the Federal Safe Drinking Water Act
- ADA for lever handle

WARRANTY – RESIDENTIAL, COMMERCIAL

- Ten year limited warranty against defects in materials and manufacturing workmanship
- Refer to the installation instructions enclosed with each CFG product or call 1-888-450-4910 for complete warranty information

The use of aerator part 116711 reduces flow to a maximum of 1.5 gpm (5.7L/min.)



Model: CA40515 Series with spray in deck



A Moen Incorporated Brand



One Handle Kitchen With Deck Spray

DESCRIPTION

- Metal construction with chrome plated finish
- Hose reach 37", hose length 48", Duralock™ Quick Connect installation
- CA40515: Chrome finish, white spray, white spray hose guide
- CA40515C: Chrome finish, chrome spray, chrome spray hose guide
- 1/2" IPS connection
- Will accept standard cone/beveled connection for 3/8" tubing
- Six (6) individual boxes per master carton

OPERATION

- Pivot action, lever-style handle
- Temperature control by 90° arc
- Will operate with less than 5 lbs. of force

FLOW

- Spout flow limited to 1.5 gpm (5.7 L/min) at 60 psi

CARTRIDGE

- Ceramic disc technology
- Non-metallic, non-ferrous, and plastic material
- Single body construction for easy replacement

NOTE

- Designed to install through 3 holes 1-1/4" (32mm) MIN. DIA. and 4" (102mm) on center

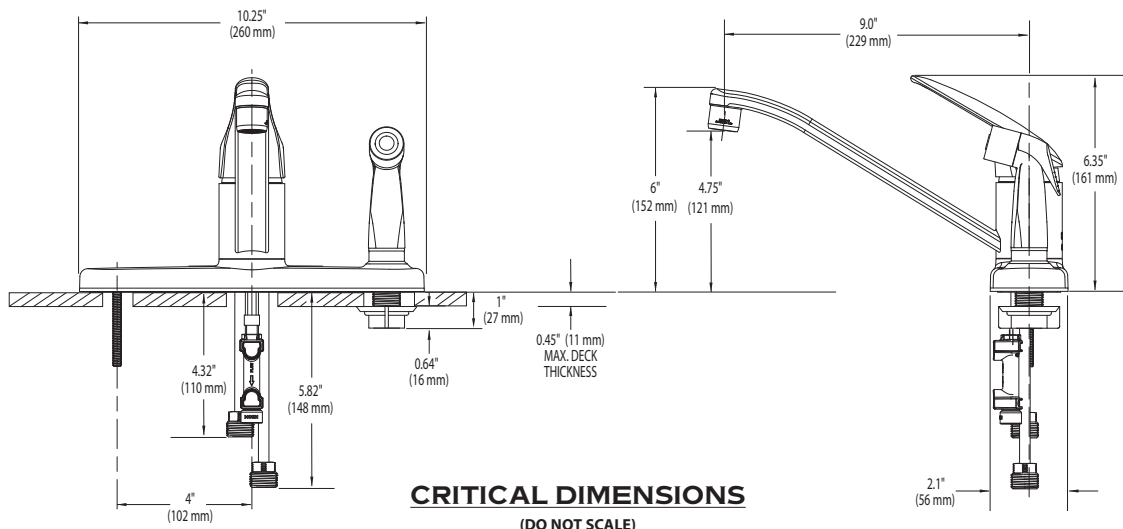
STANDARDS

- Third party certified to ASME A112.18.1/CSA B-125.1, and all applicable requirements referenced therein, including NSF61/9
- Contains no more than 0.25% weighted average lead content
- Complies with California Proposition 65, and the Federal Safe Drinking Water Act
- ADA for lever handle

WARRANTY – RESIDENTIAL, COMMERCIAL

- Ten year limited warranty against defects in materials and manufacturing workmanship
- Refer to the installation instructions enclosed with each CFG product or call 1-888-450-4910 for complete warranty information

The use of aerator part 116711 reduces flow to a maximum of 1.5 gpm (5.7L/min.)



Model: 40515 Series with spray in deck



A Moen Incorporated Brand



One Handle Kitchen With Deck Spray

DESCRIPTION

- Metal construction with chrome plated finish
- Hose reach 37", hose length 48", Hydrolock® Connection
- 40515: Chrome finish, white spray, white spray hose guide
- 40515C: Chrome finish, chrome spray, chrome spray hose guide
- 1/2" IPS connection
- Will accept standard cone/bevelled connection for 3/8" tubing
- Six (6) individual boxes per master carton

OPERATION

- Pivot action, lever-style handle
- Temperature control by 90° arc
- Will operate with less than 5 lbs. of force

FLOW

- Spout flow limited to 2.0 gpm (7.6 L/min) at 60 psi

CARTRIDGE

- Ceramic disc technology
- Non-metallic, non-ferrous, and plastic material
- Single body construction for easy replacement

NOTE

- Designed to install through 3 holes 1-1/4" (32mm) MIN. DIA. and 4" (102mm) on center

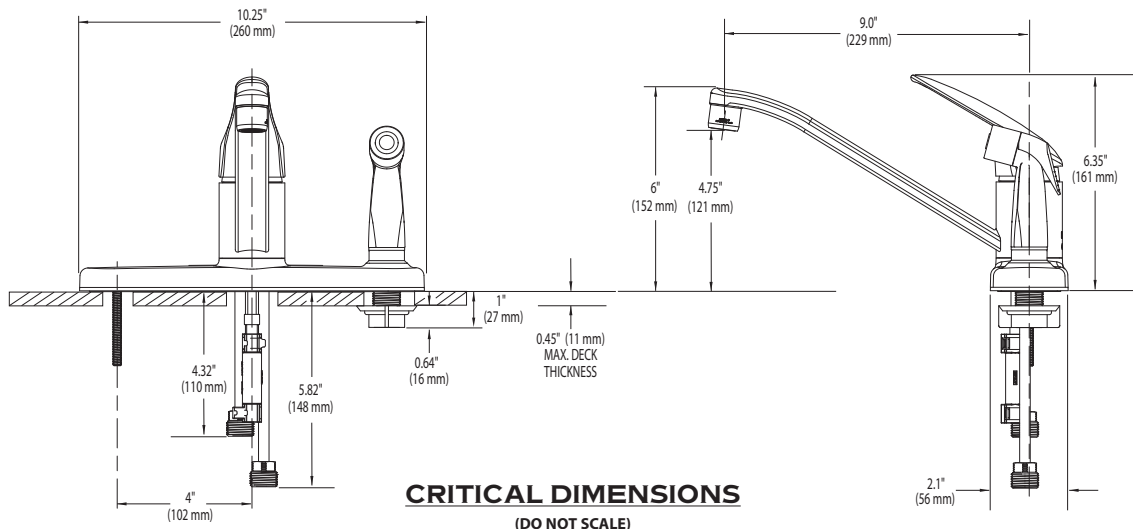
STANDARDS

- Third party certified to ASME A112.18.1/CSA B-125.1, and all applicable requirements referenced therein, including NSF61/9
- Complies with California Proposition 65, and the Federal Safe Drinking Water Act
- ADA for lever handle

WARRANTY – RESIDENTIAL, COMMERCIAL

- Ten year limited warranty against defects in materials and manufacturing workmanship
- Refer to the installation instructions enclosed with each CFG product or call 1-888-450-4910 for complete warranty information

The use of aerator part 116711 reduces flow to a maximum of 1.5 gpm (5.7L/min.)



Model: CA40515 Series with spray in deck



A Moen Incorporated Brand



One Handle Kitchen With Deck Spray

DESCRIPTION

- Metal construction with chrome plated finish
- Hose reach 37", hose length 48", Hydrolock® Connection
- CA40515: Chrome finish, white spray, white spray hose guide
- CA40515C: Chrome finish, chrome spray, chrome spray hose guide
- 1/2" IPS connection
- Will accept standard cone/bevelled connection for 3/8" tubing
- Six (6) individual boxes per master carton

OPERATION

- Pivot action, lever-style handle
- Temperature control by 90° arc
- Will operate with less than 5 lbs. of force

FLOW

- Spout flow limited to 2.0 gpm (7.6 L/min) at 60 psi

CARTRIDGE

- Ceramic disc technology
- Non-metallic, non-ferrous, and plastic material
- Single body construction for easy replacement

NOTE

- Designed to install through 3 holes 1-1/4" (32mm) MIN. DIA. and 4" (102mm) on center

STANDARDS

- Third party certified to ASME A112.18.1/CSA B-125.1, and all applicable requirements referenced therein, including NSF61/9
- Contains no more than 0.25% weighted average lead content
- Complies with California Proposition 65, and the Federal Safe Drinking Water Act
- ADA for lever handle

WARRANTY – RESIDENTIAL, COMMERCIAL

- Ten year limited warranty against defects in materials and manufacturing workmanship
- Refer to the installation instructions enclosed with each CFG product or call 1-888-450-4910 for complete warranty information

The use of aerator part 116711 reduces flow to a maximum of 1.5 gpm (5.7L/min.)

